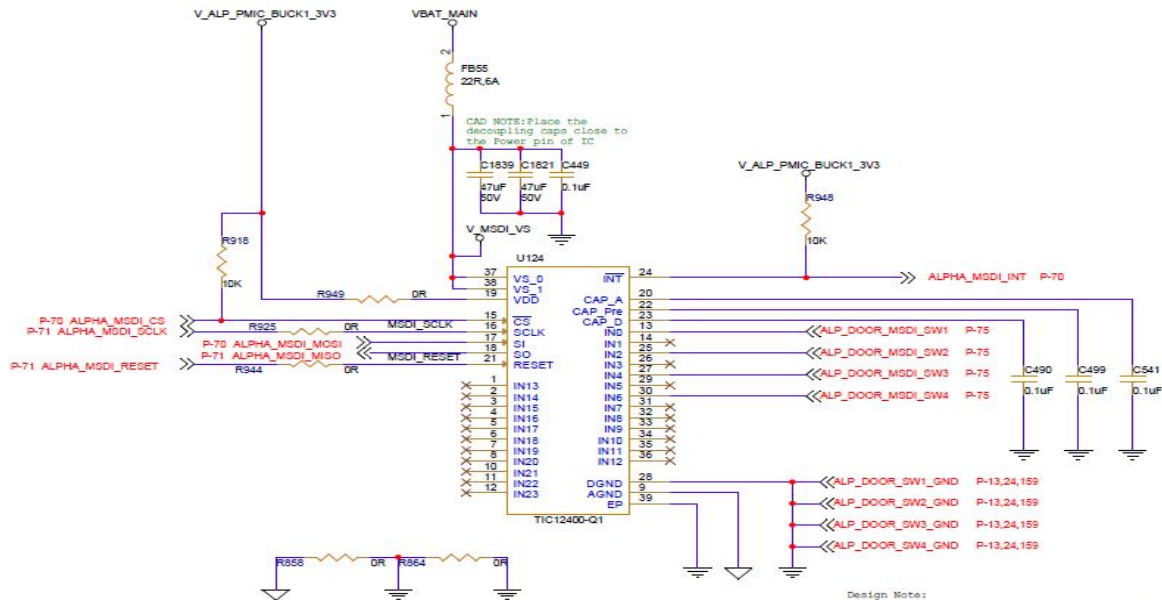
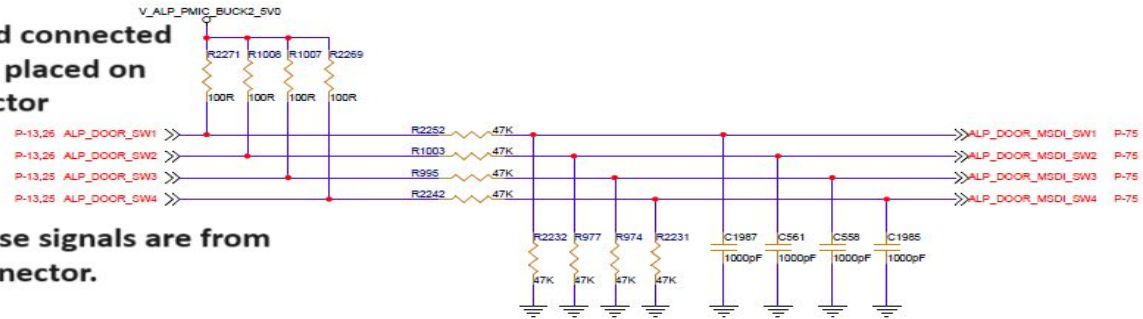


MSDI(TIC12400)



Ground connected switch placed on connector

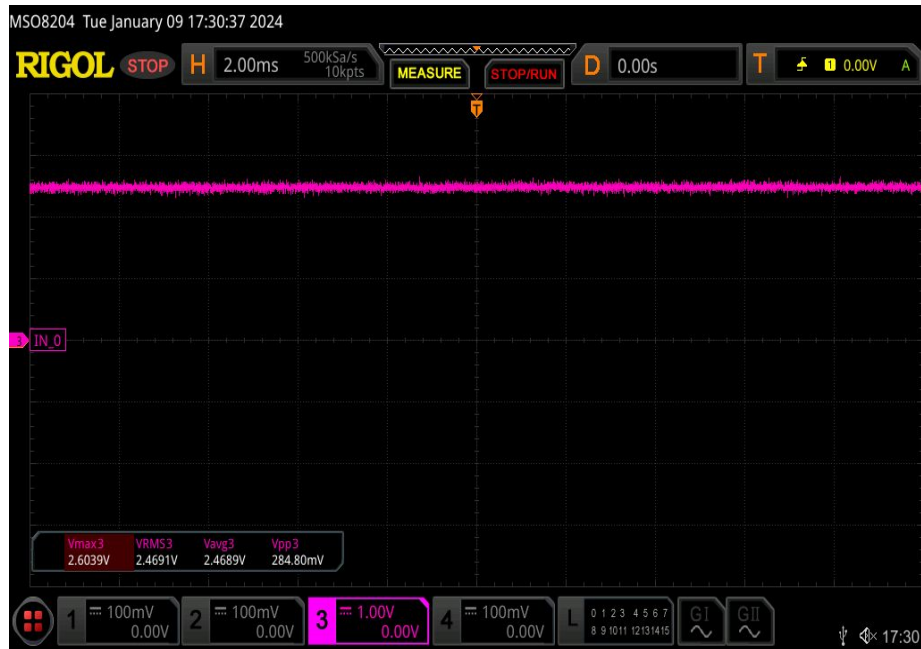


These signals are from connector.

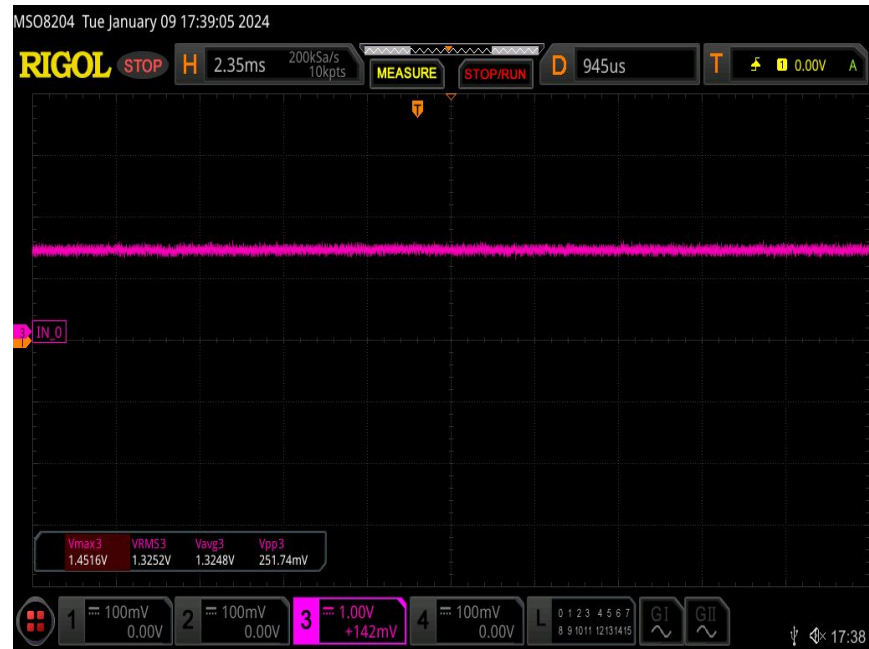
- VS supply =12V
- VDD supply =3.3V
- Ground connected switch SW1(open state resistance)= 8.6K
- Ground connected switch SW1(closed state resistance)= 0.3 R
- Ground connected switch SW2(open state resistance)= 8.93 K
- Ground connected switch SW2(closed state resistance)= 0.3 R
- Ground connected switch SW3(open state resistance)= 8.87 K
- Ground connected switch SW3(closed state resistance)= 0.3R
- Ground connected switch SW4(open state resistance)= 8.73 K
- Ground connected switch SW4(closed state resistance)= 0.3 R

INx pin voltage scope images

When SW1 is open

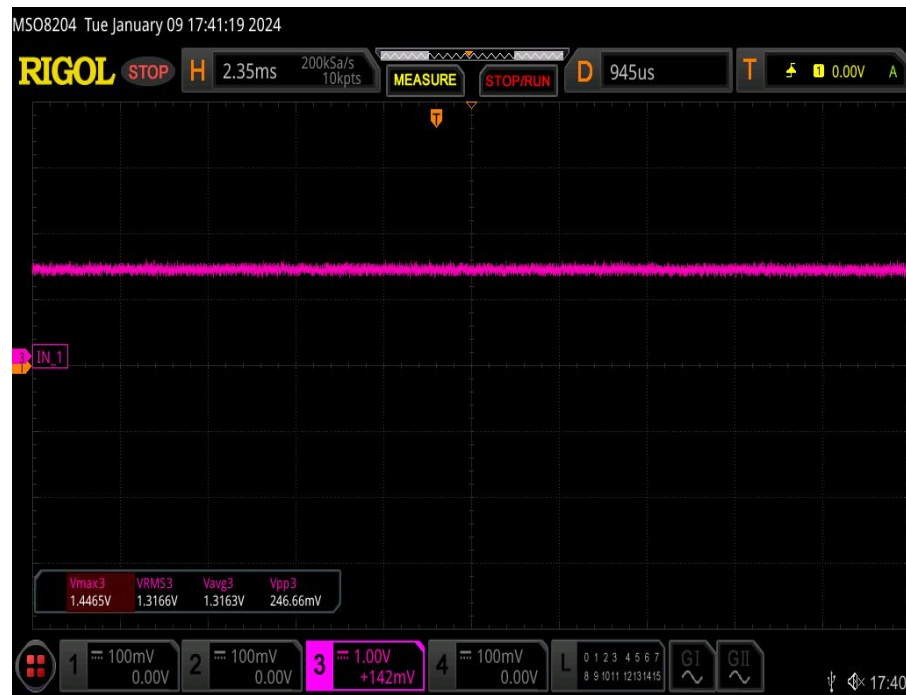
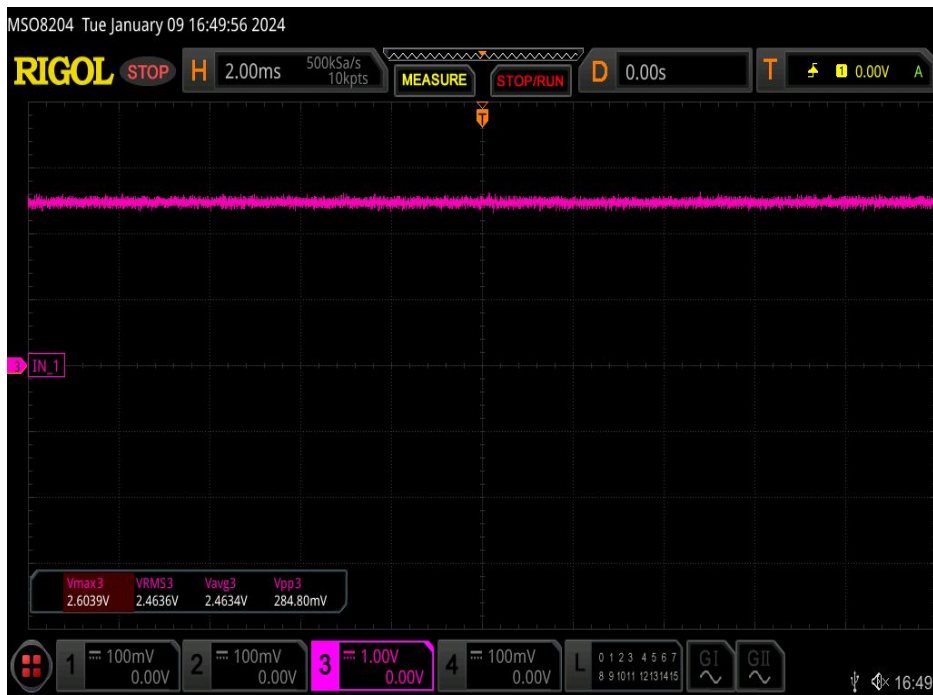


When SW1 is closed

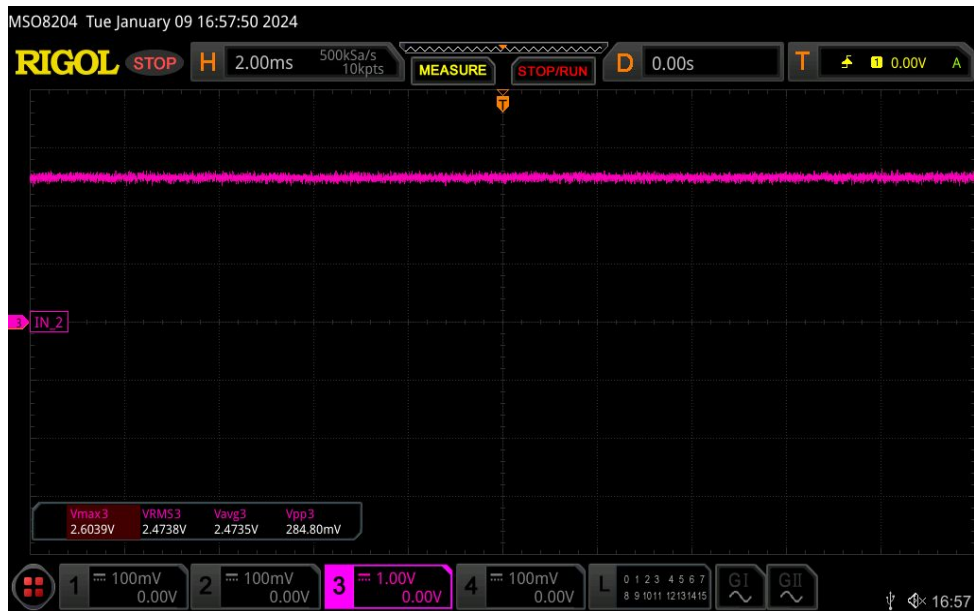


When SW2 is open

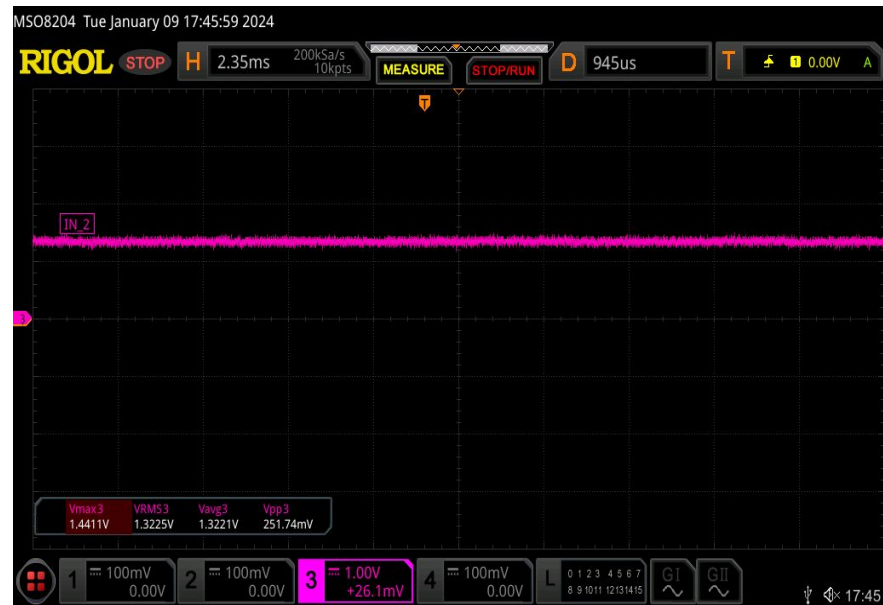
When SW2 is closed



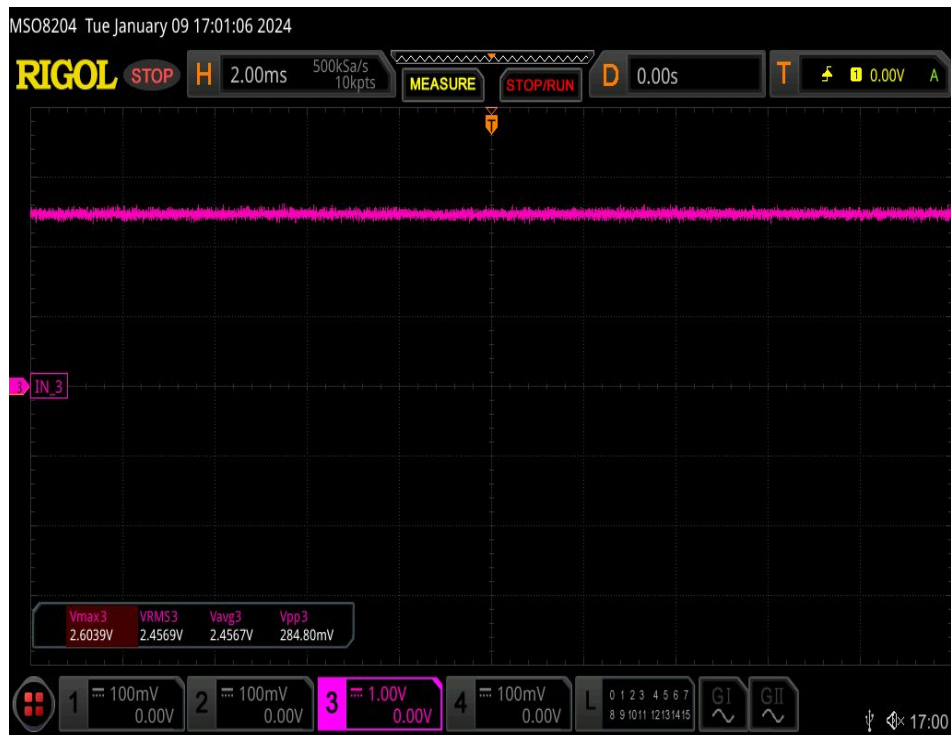
When SW3 is open



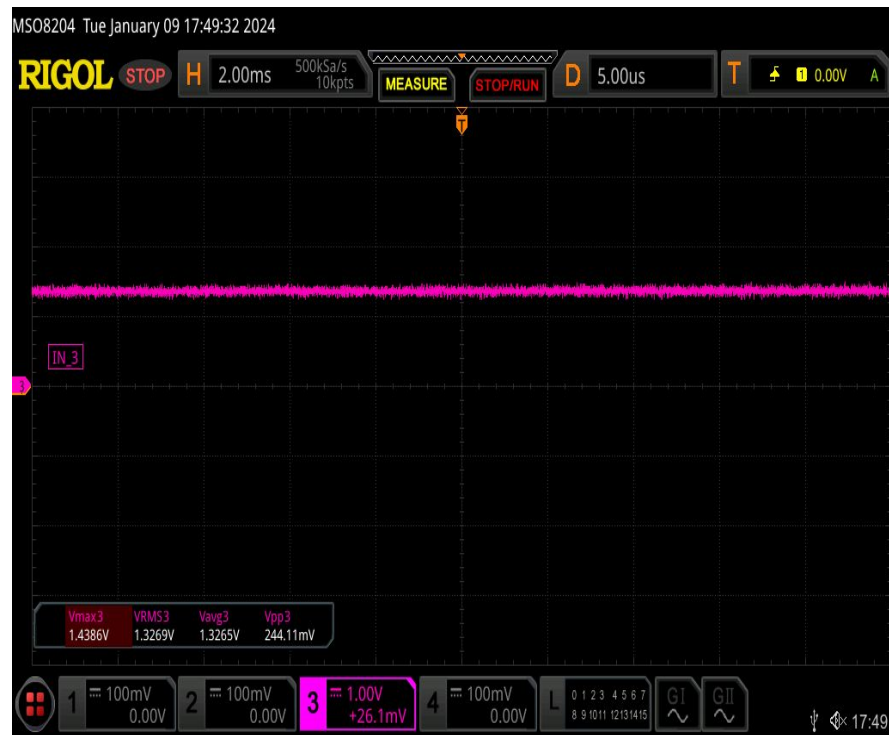
When SW3 is closed



When SW4 is open



When SW4 is closed



Note : Here IN0 in scope represents SW1 signal,IN1 represents SW2 signal,IN2 represents SW3 signal and IN3 represents SW4 signal.