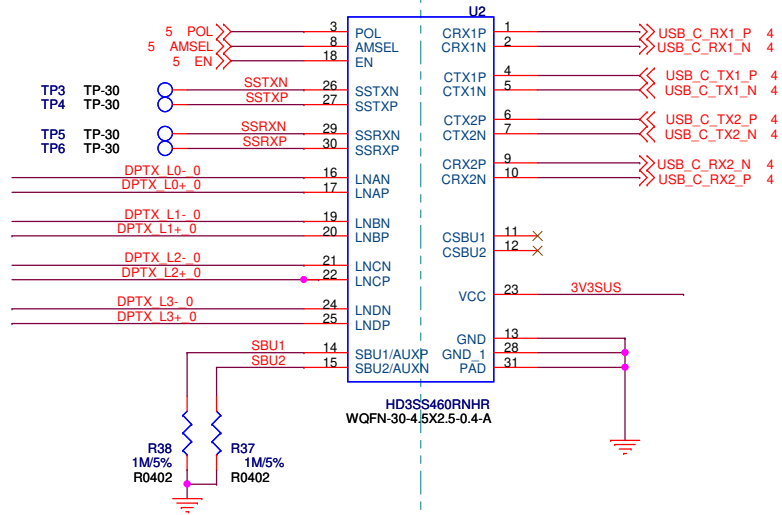


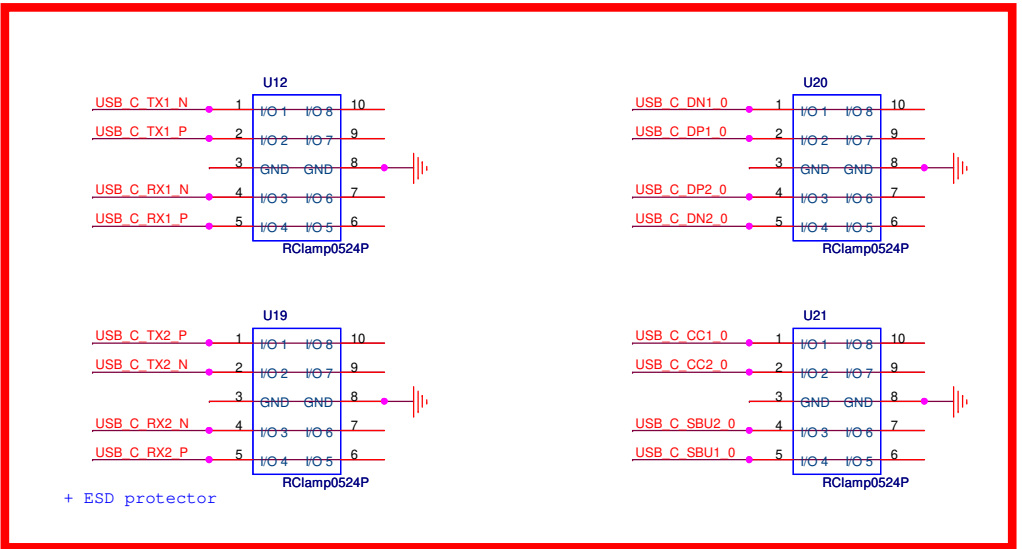
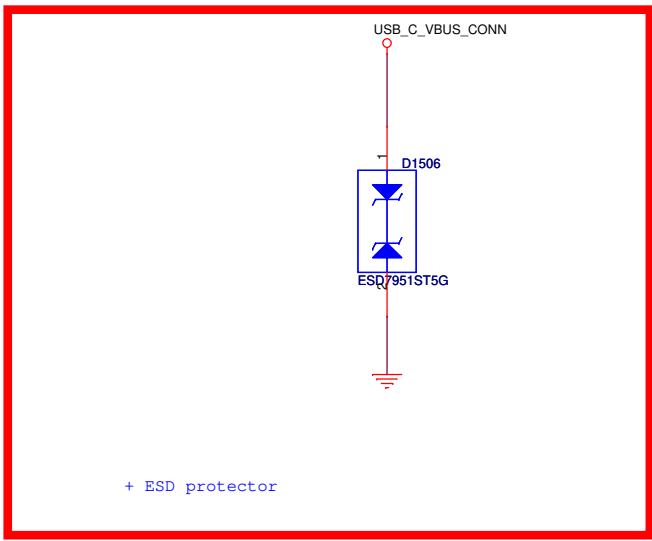
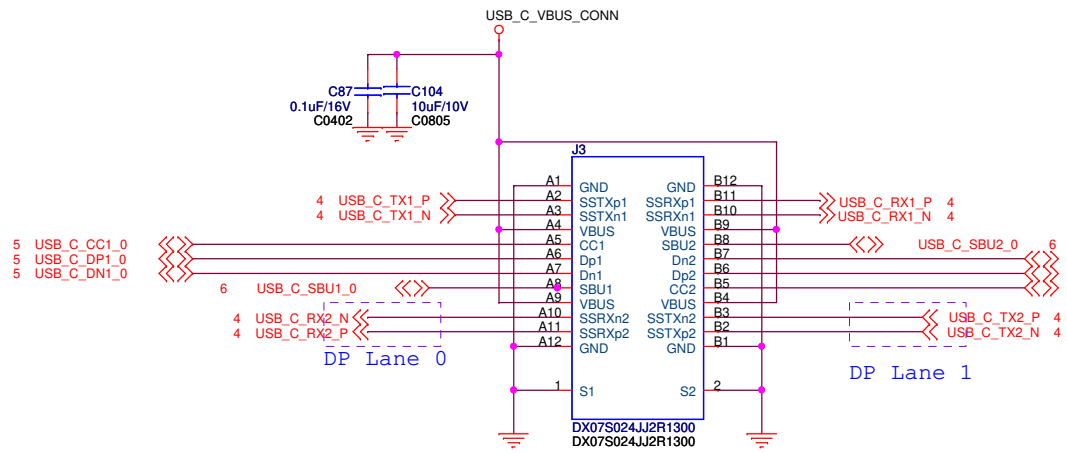
3V3SUS  
3V3SUS

DP input From STDP2600



Output to USB Type C connector

Title		
<Title>		
Size	Document Number	Rev
B	<Doc>	<RevCode>
Date:	Monday, February 25, 2019	Sheet 1 of 1



<b>JORWIN</b>		
Title <b>Coaxial Cable Connector</b>		
Size B	Document Number <b>J4H USB Board</b>	Rev D01
Date:	Monday, February 25, 2019	Sheet 2 of 6

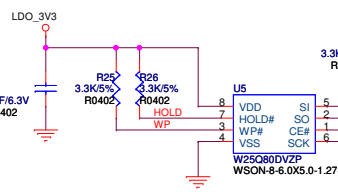
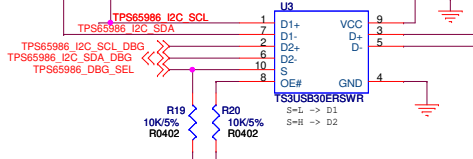
6

C

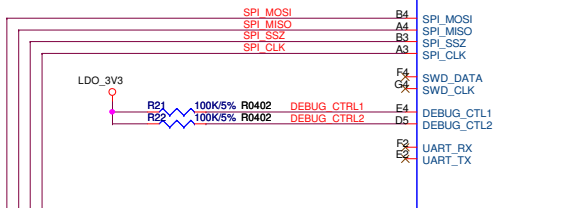
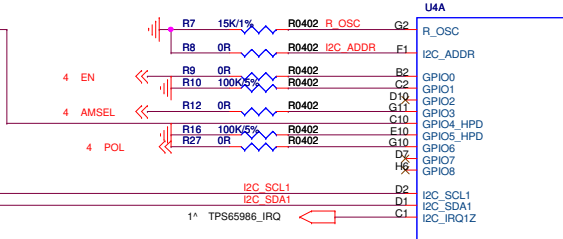
B

A

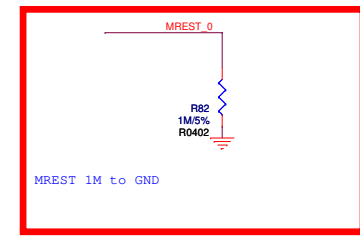
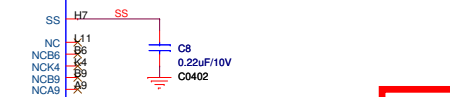
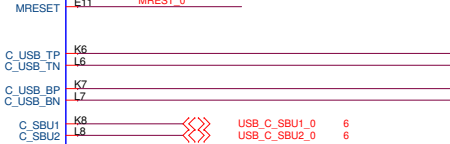
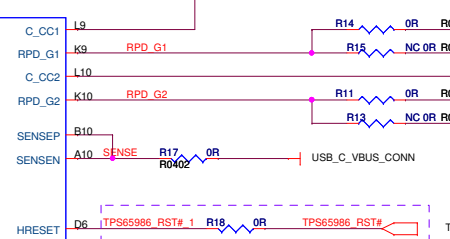
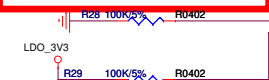
TP8  
TP7



TPS65986\_SPI\_MOSI  
TPS65986\_SPI\_MISO  
TPS65986\_SPI\_CS  
TPS65986\_SPI\_SCK



POL change to GPIO6

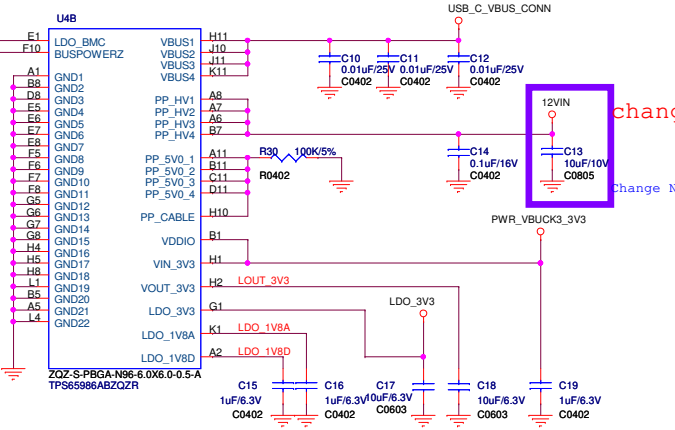
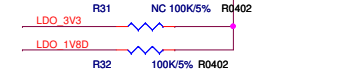
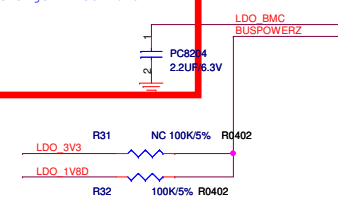


USB\_C\_CC1\_0 6  
+220pF to GND? or??  
USB\_C\_CC2\_0 6  
更名後往type C 輸出

USB\_C\_DP1\_0 6  
USB\_C\_DN1\_0 6  
USB\_C\_DP2\_0 6  
USB\_C\_DN2\_0 6  
更名後往type C 輸出

Differential 90 OHM

change in to 2.2uF



change into 12V from adapter

Change Note37

<b>JORJID</b>			
File <b>USB Type C</b>			
Size	Document Number	Rev	
Custom	J4H USB Board	D01	
Date:	Monday, February 25, 2019	Sheet	5 of 6

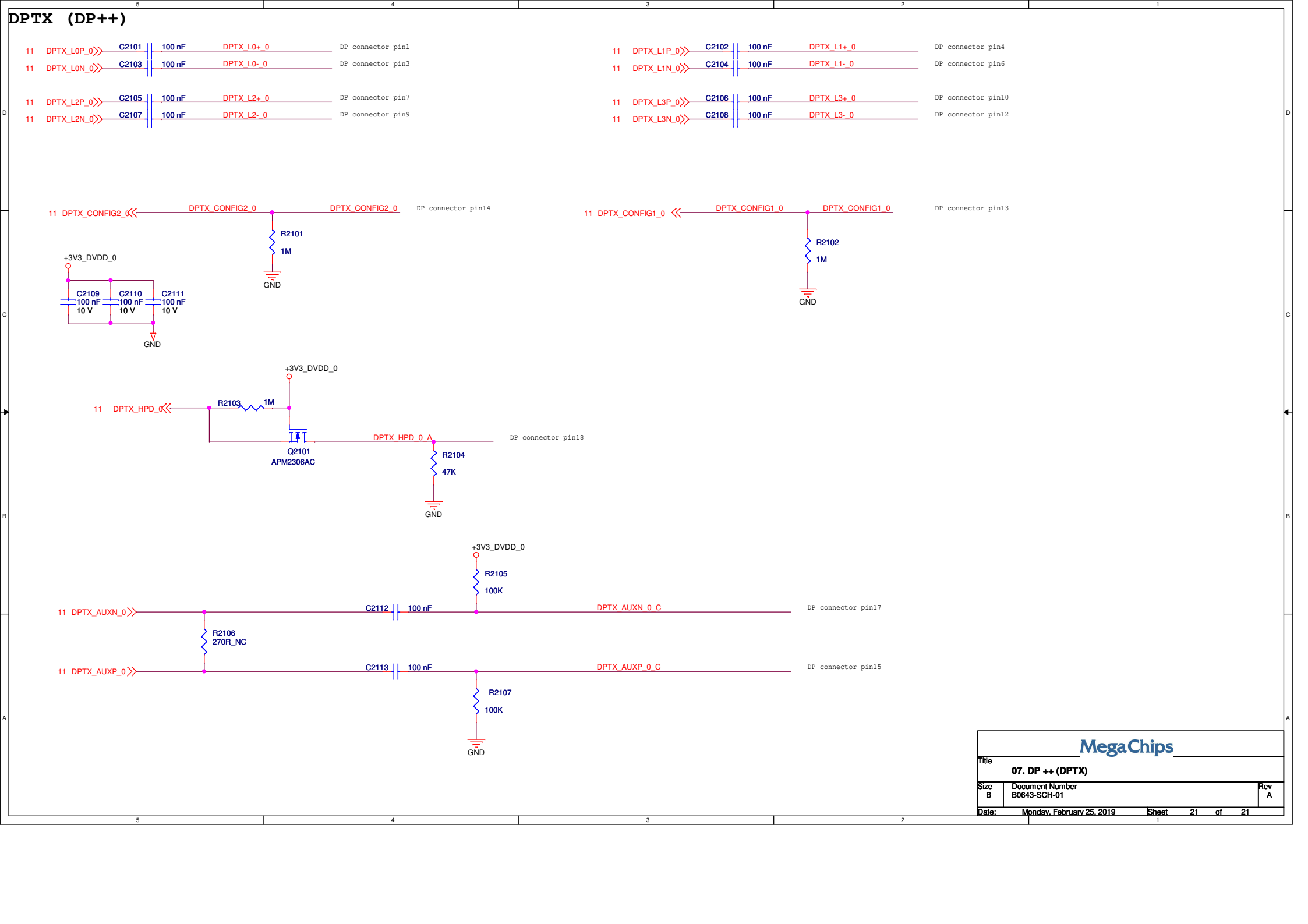
5

4

3

2

1



<b>MegaChips</b>		
Title		
<b>07. DP ++ (DPTX)</b>		
Size	Document Number	Rev
B	B0643-SCH-01	A
Date:	Monday, February 25, 2019	Sheet 21 of 21