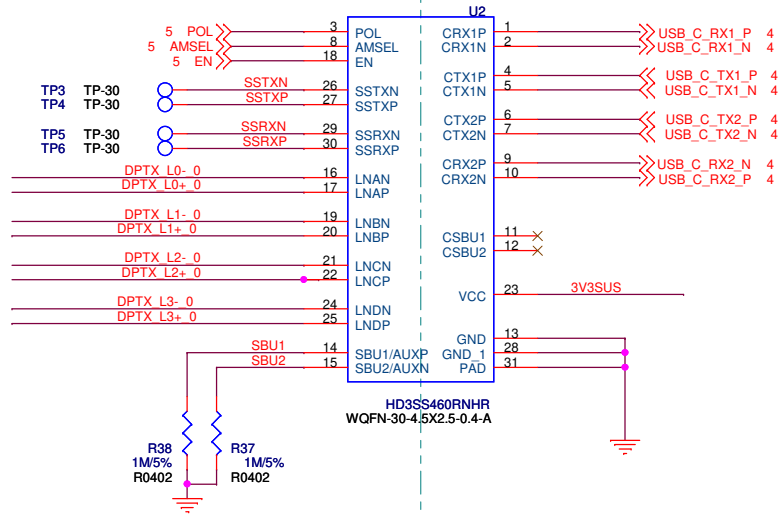


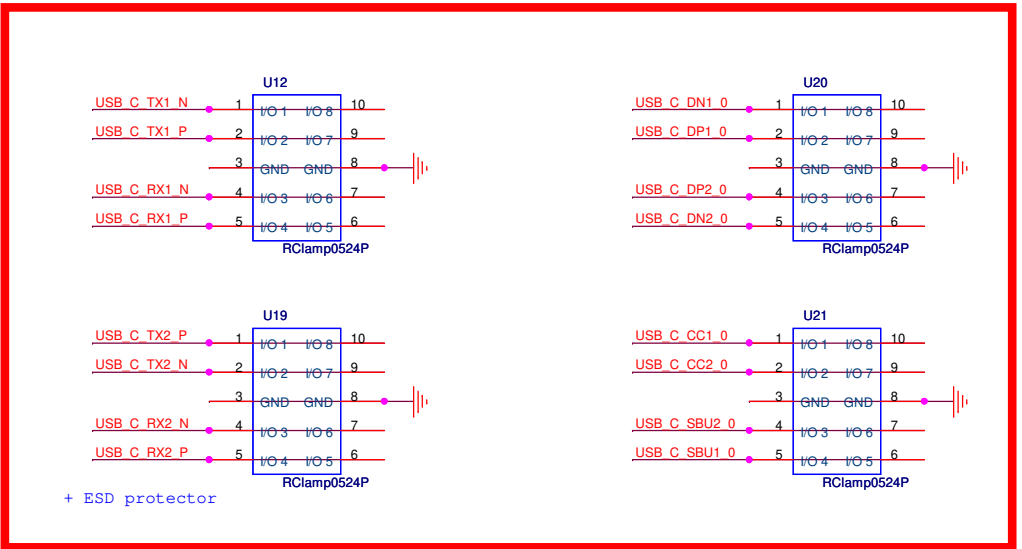
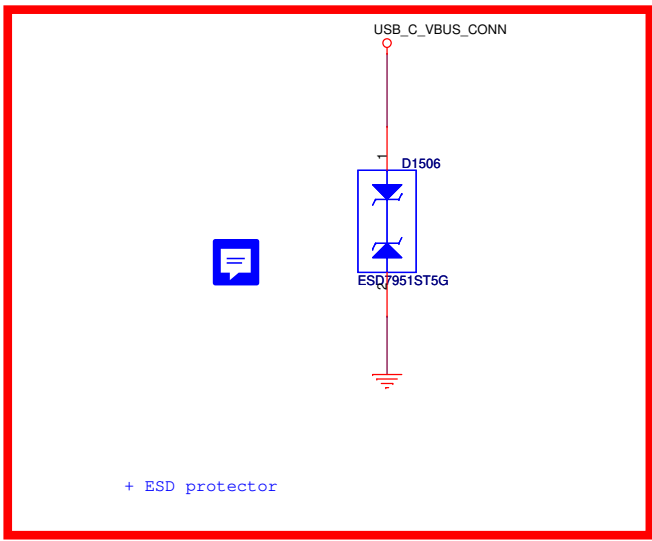
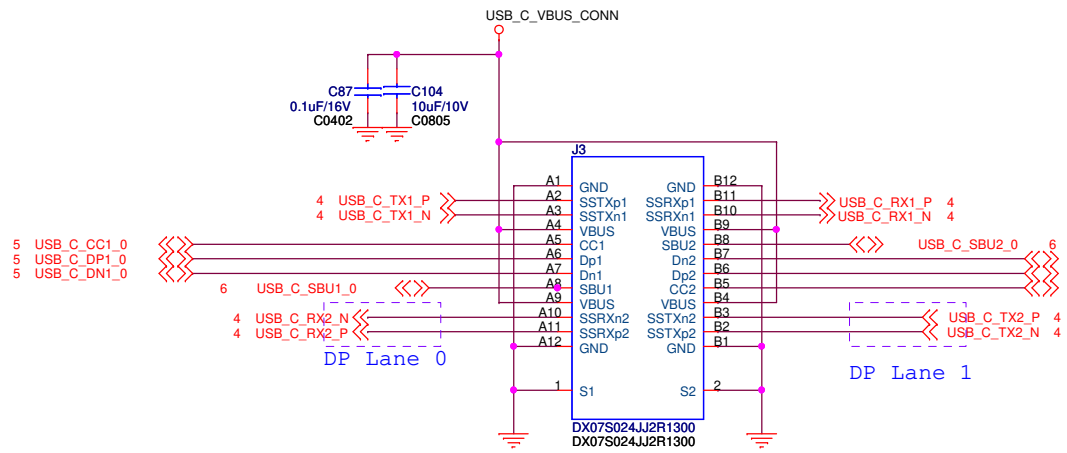
3V3SUS
3V3SUS

DP input From STDP2600



Output to USB Type C connector

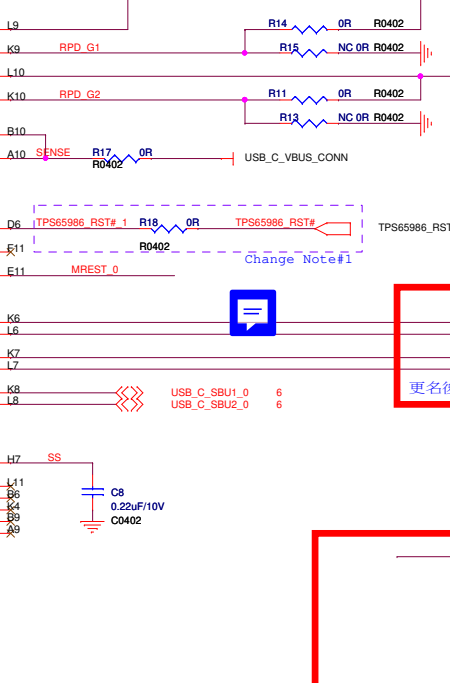
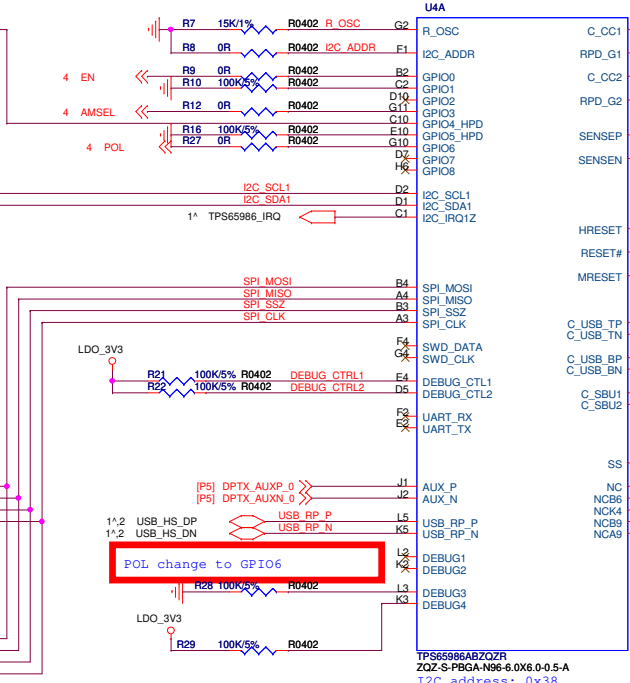
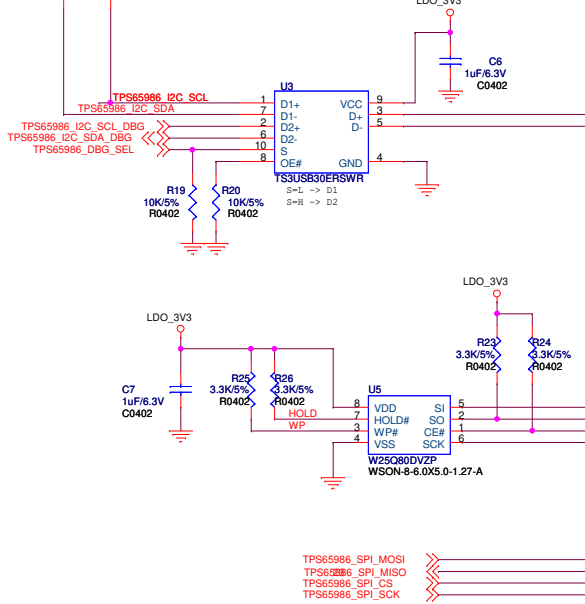
Title		
<Title>		
Size	Document Number	Rev
B	<Doc>	<RevCode>
Date:	Monday, February 25, 2019	Sheet 1 of 1



JORWIN		
Title Coaxial Cable Connector		
Size B	Document Number J4H USB Board	Rev D01
Date:	Monday, February 25, 2019	Sheet 2 of 6

6

TP8
TP7



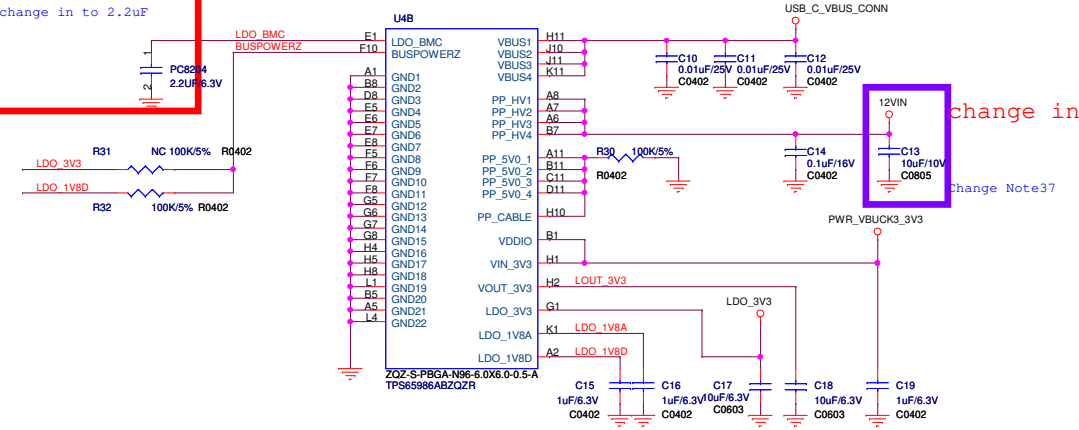
USB_C_CC1_0 6
+220pF to GND? or??
USB_C_CC2_0 6
更名後往type C 輸出



USB_C_DP1_0 6
USB_C_DN1_0 6
USB_C_DP2_0 6
USB_C_DN2_0 6
更名後往type C 輸出

MREST_0
R82 1M/5% R0402
MREST 1M to GND

change in to 2.2uF
PC8244 2.2uF/6.3V



change into 12V from adapter
12VIN
C13 10uF/10V C0805
Change Note37

JOR&JID			
File: USB Type C			
Size: Custom	Document Number: J4H USB Board		Rev: D01
Date: Monday, February 25, 2019	Sheet: 5	of 6	

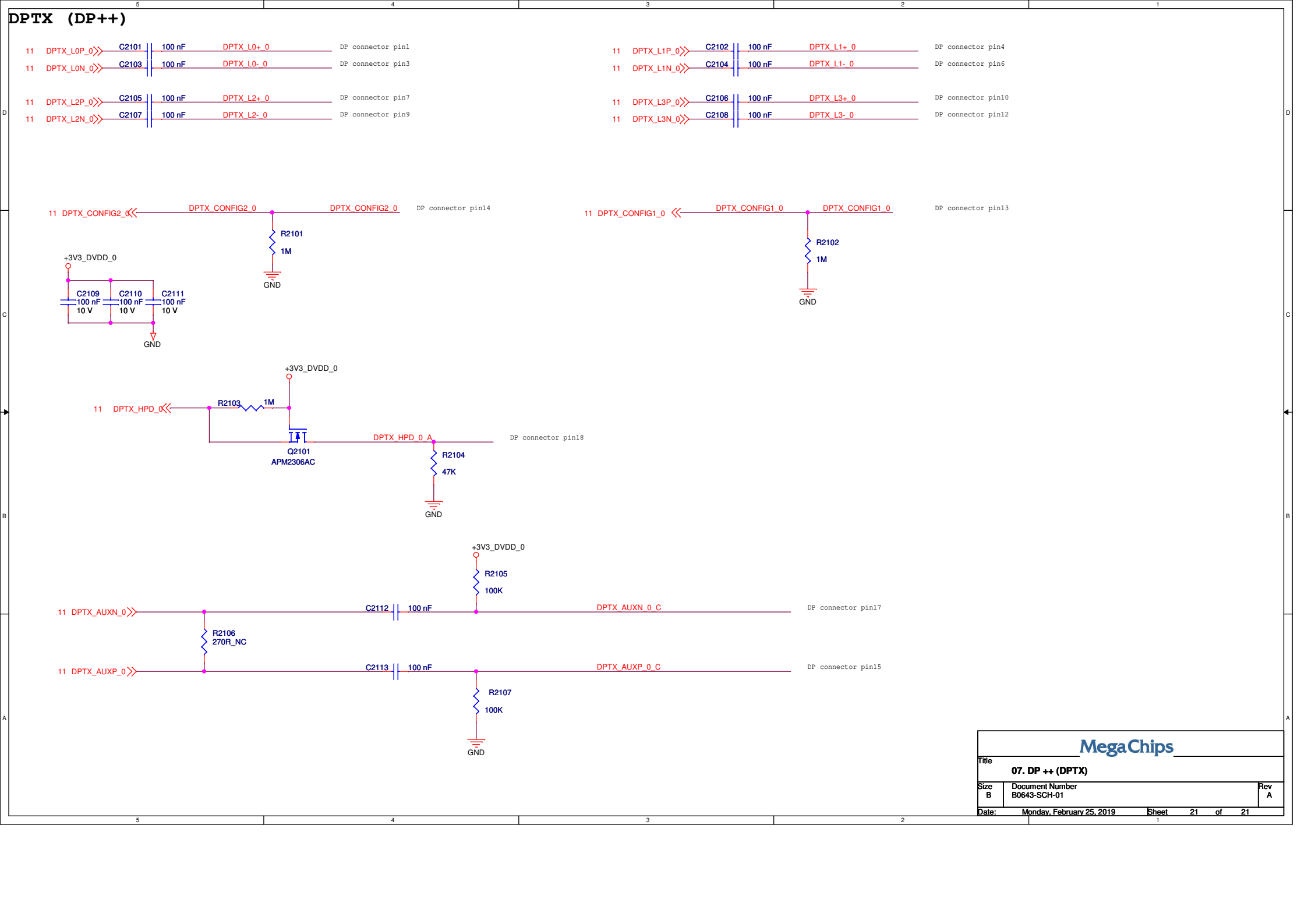
5

4

3

2

1



MegaChips		
Title		
07. DP ++ (DPTX)		
Size	Document Number	Rev
B	B0643-SCH-01	A
Date:	Monday, February 25, 2019	Sheet 21 of 21