

CLP0613

Outline

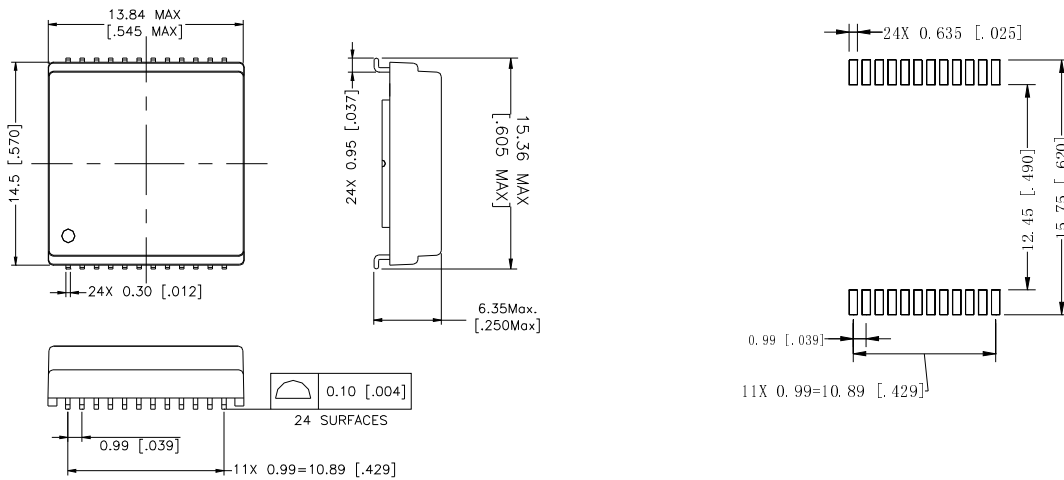
1CT:1CT turn ratio Dual 10/100 BASE-T or Single 10/100/1000 BASE-T Magnetic Modules

■ Features

- For 10/100/1000BASE-T Ethernet Application
- Meets IEEE802.3 Specification.
- Min. 350uH OCL with 8mA bias current.
- PoE option.
- RoHS Peak Solder Rating 260 °C
- 1500Vrms Hi-Pot isolation



Mechanical Dimension & Recommended General PCB Layout.



Unspecified Tolerance is 0.25/ [±0.01]

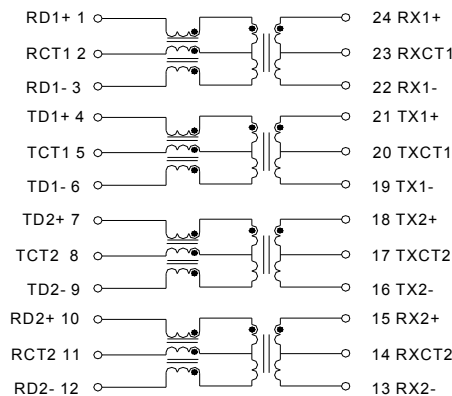
Unit: mm / [Inches]

Electrical Specifications @25 °C--Operating Temperature 0 °C to 70 °C

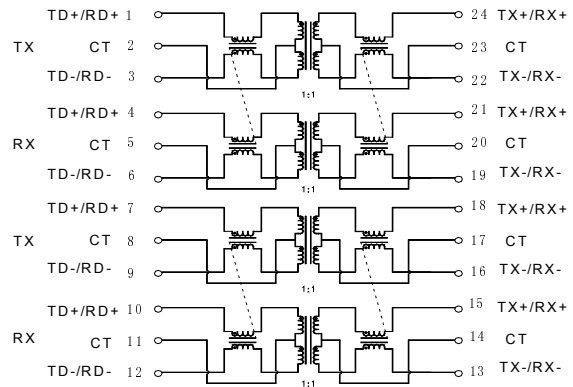
Part Number	PoE	Insertion Loss (dB MIN)		Return Loss (dB MAX)			Crosstalk (dB TYP)			Differential Common Mode Rejection (dB TYP)			Hipot (Vrms/ MIN)
		0.1 ~100 MHz	125MHz	30M Hz	50M Hz	80M Hz	30 MHz	60 MHz	100 MHz	30MHz	60MHz	100MHz	
C25106	Y	-1.0	-1.5	-18	-14	-12	-45	-40	-33	-40	-37	-33	1500
C25108	N	-1.2	-1.5	-16	-14	-12	-40	-35	-29	-40	-37	-33	1500

Schematic:

1. C25106



2.C25108



CLP175

Outline

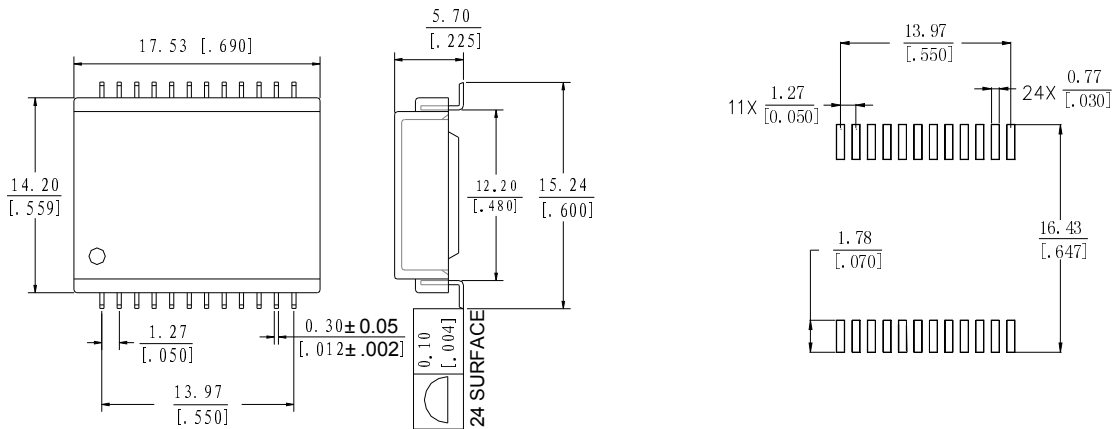
1CT:1CT turn ratio Dual 10/100 BASE-T or Single 10/100/1000 BASE-T Magnetic Modules

■ Features

- For 10/100/1000BASE-T Ethernet Application
- Meets IEEE802.3 Specification.
- Min. 350uH OCL with 8mA bias current.
- PoE Option.
- RoHS Peak Solder Rating 260 °C
- 1500Vrms Hi-Pot isolation



Mechanical Dimension & Recommended General PCB Layout.



Unspecified Tolerance is 0.25/ [±0.01]

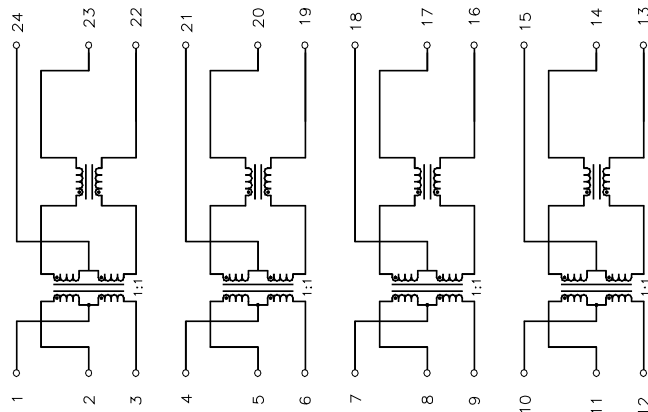
Unit: mm / [Inches]

Electrical Specifications @25 °C--Operating Temperature 0 °C to 70 °C

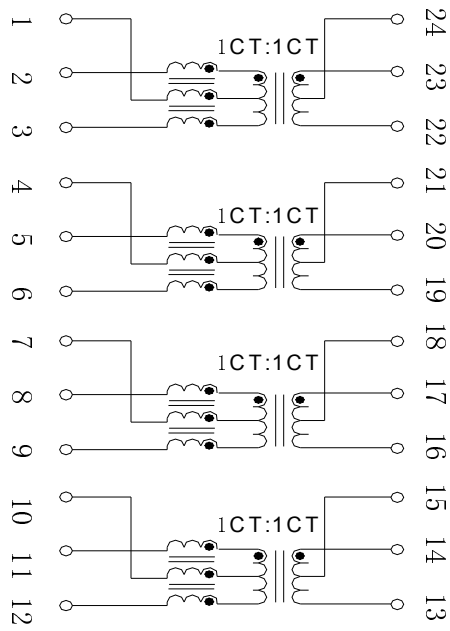
Part Number	PoE	Insertion Loss (dB MIN)		Return Loss (dB MAX)				Crosstalk (dB TYP)			Differential Common Mode Rejection (dB TYP)			Hipot (Vrms/ MIN)
		0.1 ~100 MHz	125 MHz	30 MHz	50 MHz	80 MHz	100 MHz	30 MHz	60 MHz	100 MHz	30 MHz	60 MHz	100 MHz	
C26100	N	-1.0	-	-18	-14	-12	-10	-45	-40	-33	-40	-37	-33	1500
C26102	Y	-1.0	-1.5	-18	-14	-12	-10	-45	-40	-35	-40	-37	-33	1500
C26106	Y	-1.2	-1.5	-18	-14	-12	-10	-45	-40	-33	-40	-37	-33	1500

Schematic:

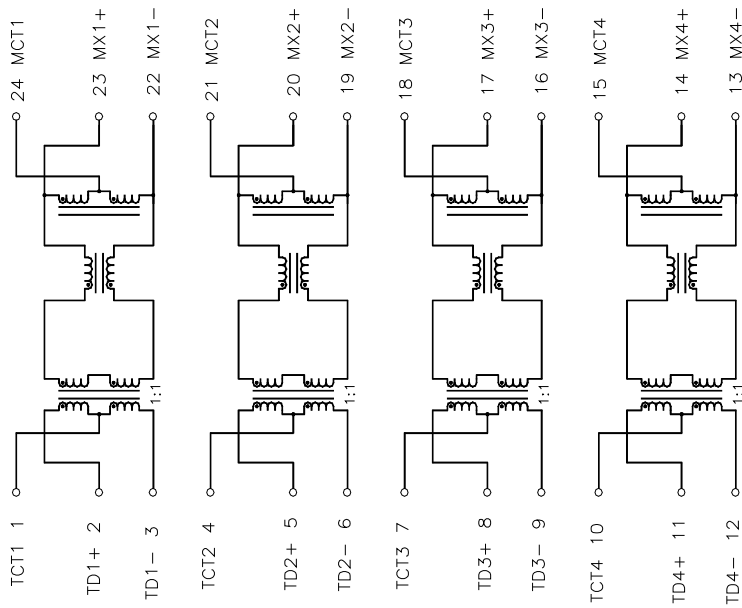
1. C26100



2. C26102



3. C26106



CLP287

Outline

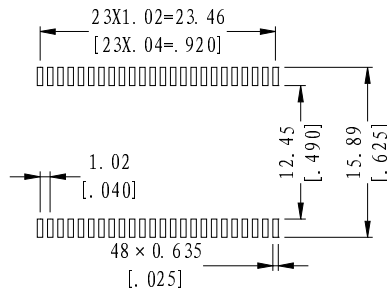
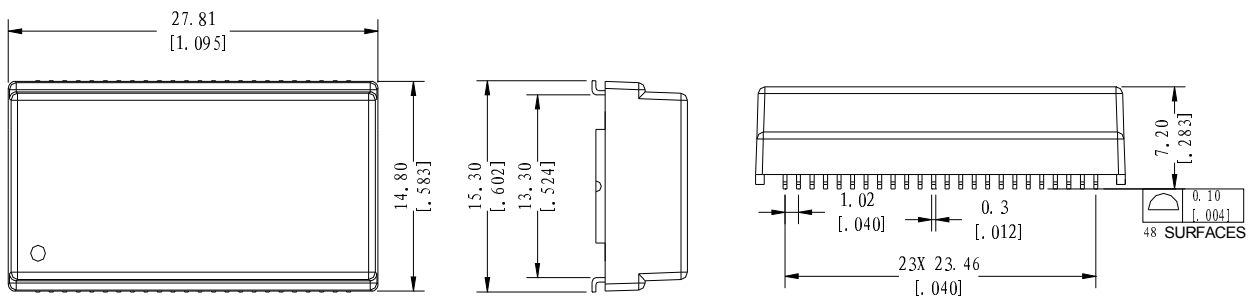
1CT:1CT turn ratio Dual 10/100/1000 BASE-T Magnetic Modules

■ Features

- For 10/100/1000BASE-T Ethernet Application
- Meets IEEE802.3 Specification.
- Min. 350uH OCL with 8mA bias current.
- PoE Option.
- RoHS Peak Solder Rating 260 °C
- 1500Vrms Hi-Pot isolation



Mechanical Dimension & Recommended General PCB Layout.



Unspecified Tolerance is 0.25/ [±0.01]

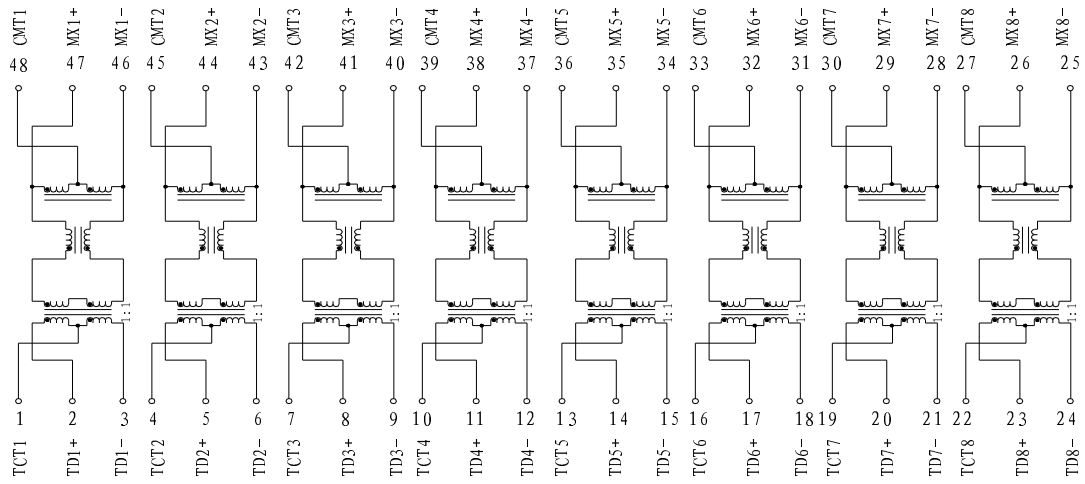
Unit: mm / [Inches]

Electrical Specifications @25 °C--Operating Temperature 0 °C to 70 °C

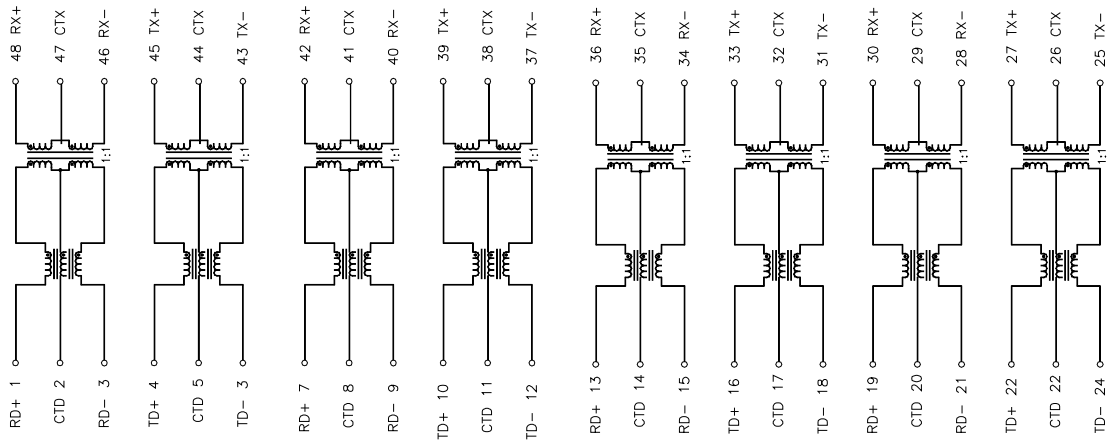
Part Number	PoE	Insertion Loss (dB MIN)		Return Loss (dB MAX)				Crosstalk (dB TYP)			Differential Common Mode Rejection (dB TYP)			Hipot (Vrms/ MIN)
		0.1 ~100 MHz	125 MHz	30 MHz	50 MHz	80 MHz	100 MHz	30 MHz	60 MHz	100 MHz	30 MHz	60 MHz	100 MHz	
C27102	Y	-1.0	-1.5	-18	-14	-12	-10	-45	-40	-33	-40	-37	-33	1500
C27103	Y	-1.0	-1.5	-18	-14	-12	-10	-45	-40	-35	-40	-37	-33	1500

Schematic:

1. C27102



2. C27103



CLP8D23

Outline

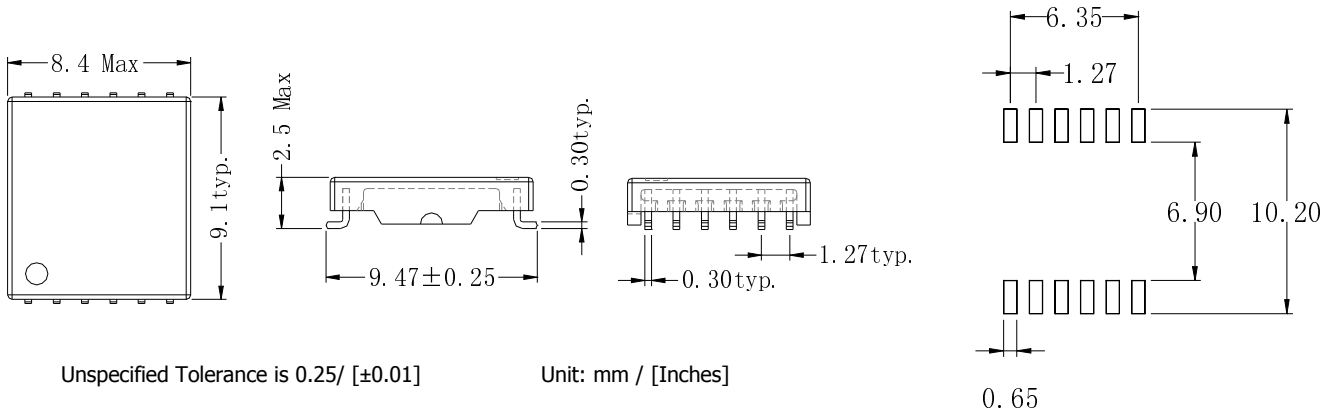
1CT:1CT turn ratio Single 10/100 BASE-T Magnetic Modules

■ Features

- For 10/100 BASE-T Ethernet Application.
- Meets IEEE802.3 Specification.
- Min. 350uH OCL with 8mA bias current.
- RoHS Peak Solder Rating 260 °C
- 1500Vrms Hi-Pot isolation



Mechanical Dimension & Recommended General PCB Layout.

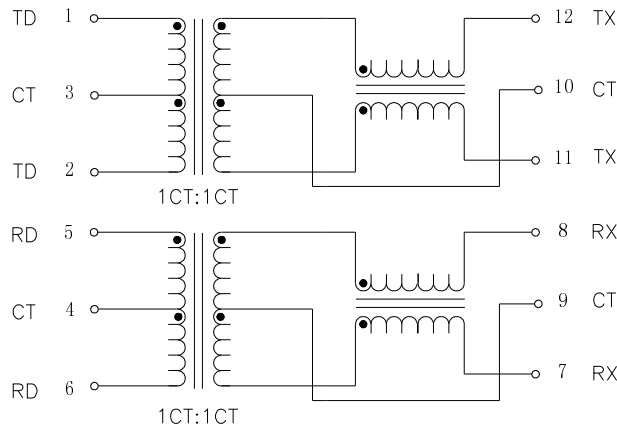


Electrical Specifications @25 °C--Operating Temperature 0 °C to 70 °C

Part Number	PoE	Insertion Loss (dB MIN)		Return Loss (dB MAX)				Crosstalk (dB TYP)			Differential Common Mode Rejection (dB TYP)			Hipot (Vrms/ MIN)
		0.1 ~100 MHz	125 MHz	30 MHz	50 MHz	80 MHz	100 MHz	30 MHz	60 MHz	100 MHz	30 MHz	60 MHz	100 MHz	
C23105	N	-1.0	-	-18	-14	-12	-10	-45	-40	-33	-40	-37	-33	1500

Schematic:

1. C23105



CLP0612

Outline

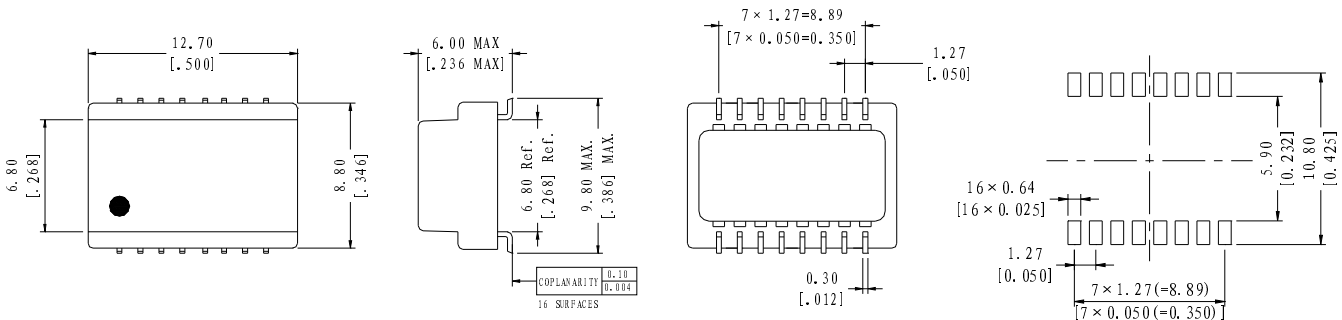
1CT:1CT turn ratio Single 10/100 BASE-T Magnetic Modules

■ Features

- For 10/100 BASE-T Ethernet Application.
- Meets IEEE802.3 Specification.
- Min. 350uH OCL with 8mA bias current.
- RoHS Peak Solder Rating 260 °C
- 1500Vrms Hi-Pot isolation



Mechanical Dimension & Recommended General PCB Layout.



Unspecified Tolerance is 0.25/ [±0.01]

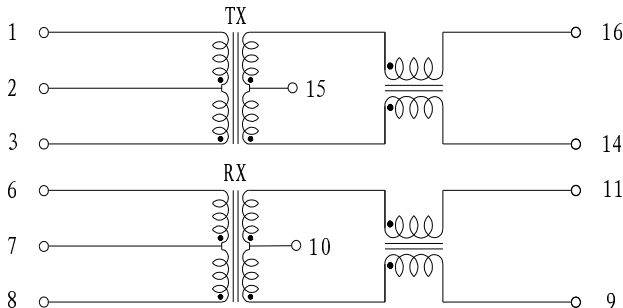
Unit: mm / [Inches]

Electrical Specifications @25 °C--Operating Temperature 0 °C to 70 °C

Part Number	PoE	Insertion Loss (dB MIN)			Return Loss (dB MAX)				Crosstalk (dB TYP)			Differential Common Mode Rejection (dB TYP)			Hipot (Vrms/ MIN)
		0.1 ~100 MHz	125 MHz	30 MHz	50 MHz	80 MHz	100 MHz	30 MHz	60 MHz	100 MHz	30 MHz	60 MHz	100 MHz		
C23102	N	-1.0	-	-18	-14	-12	-10	-45	-40	-33	-40	-37	-33	1500	
C23107	Y	-1.0	-	-16	-14	-12	-10	-45	-40	-33	-40	-37	-33	1500	

Schematic:

1. C23102



2. C23107

