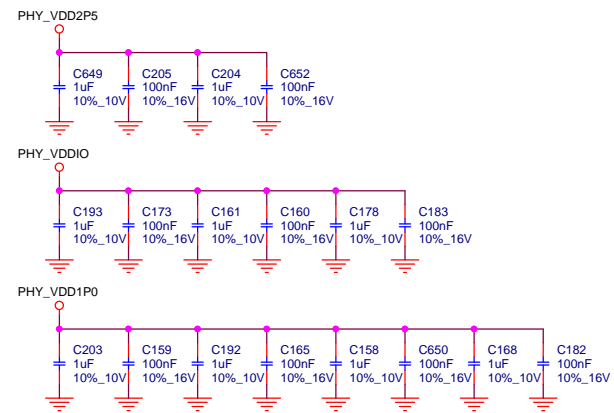
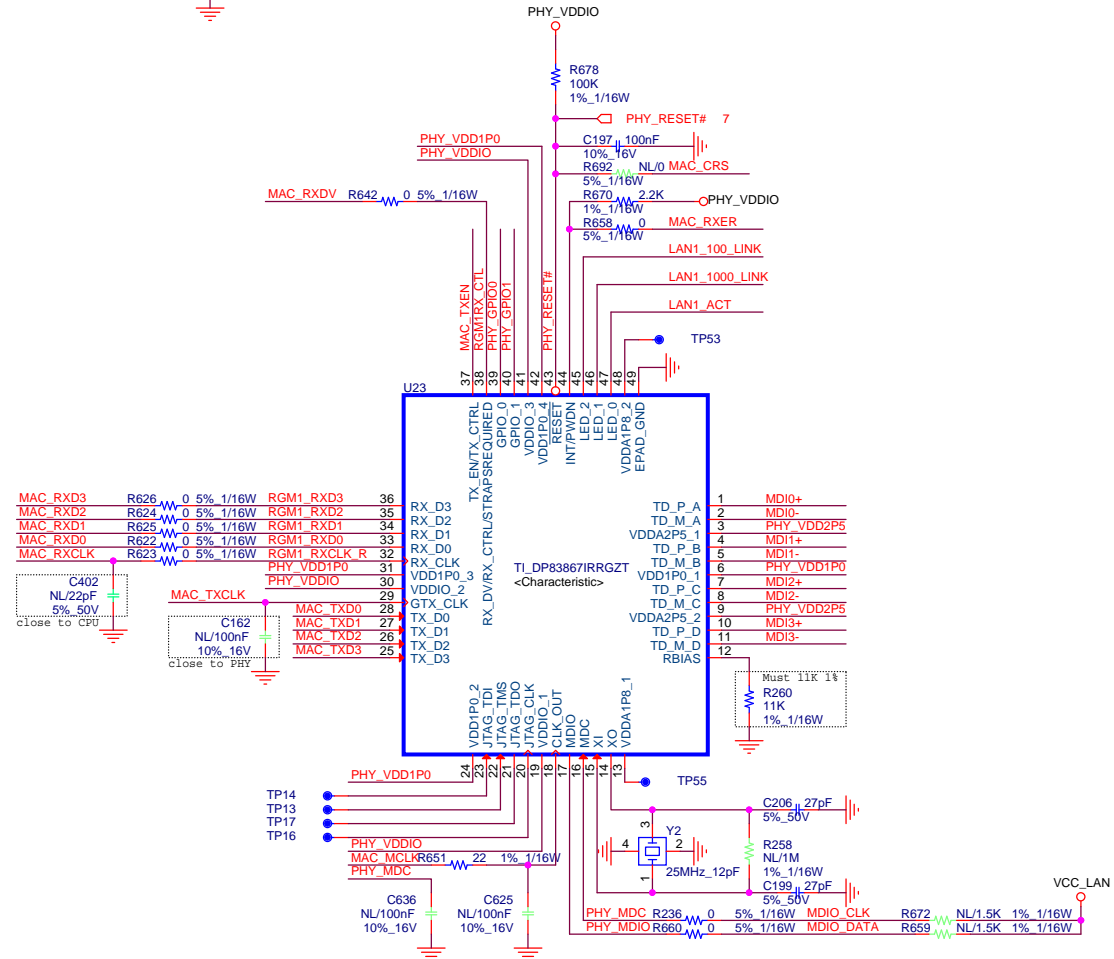
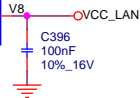


ROCKCHIP_RK3288
<Characteristic>

17 OF 24



$$V_{out} = 0.8(1 + R_{top}/R_{bot})$$

$$R_{top} = 21.5K$$

$$R_{bot} = 10K$$

$$V_{out} = 0.8 * (1 + 21.5K/10K) = 2.52V$$

