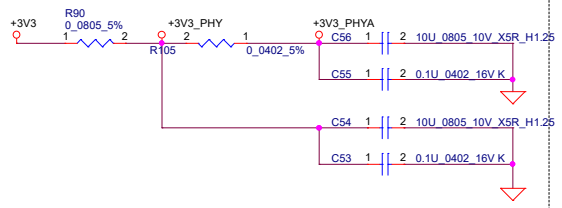
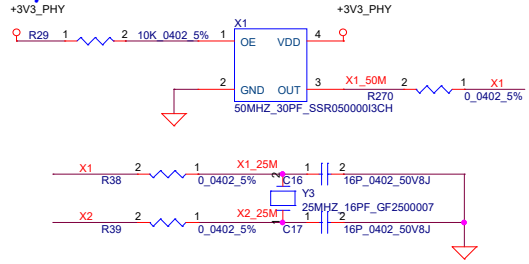


Decouple CAP

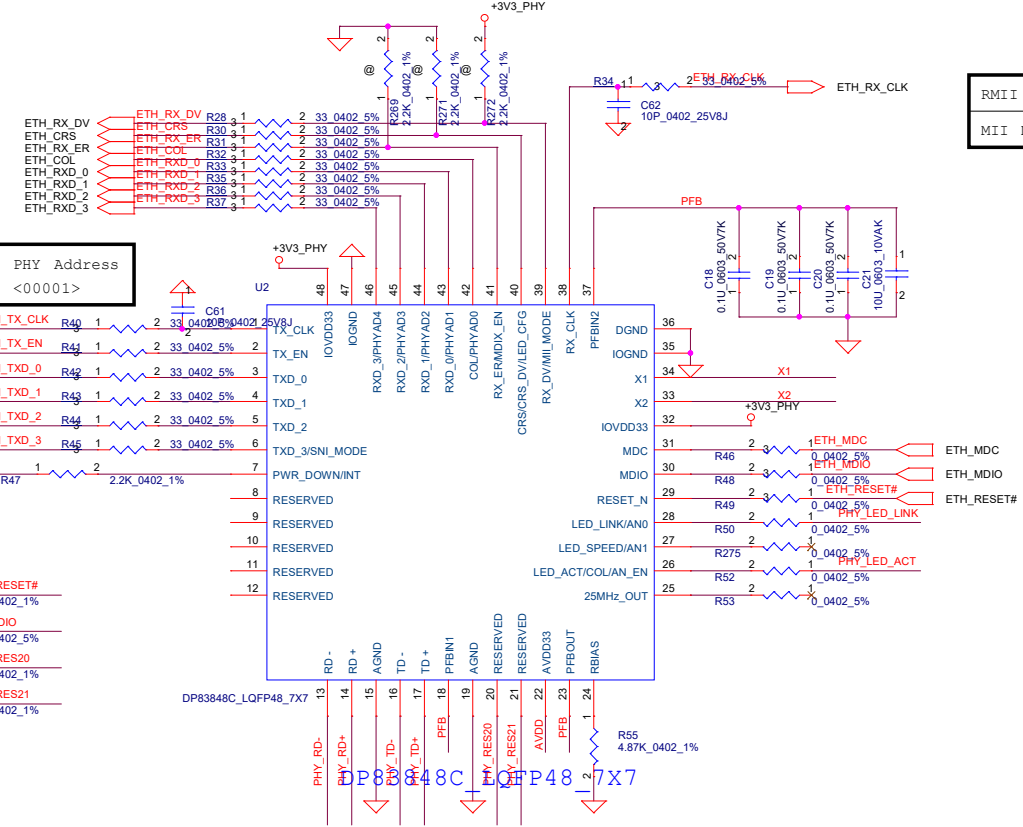
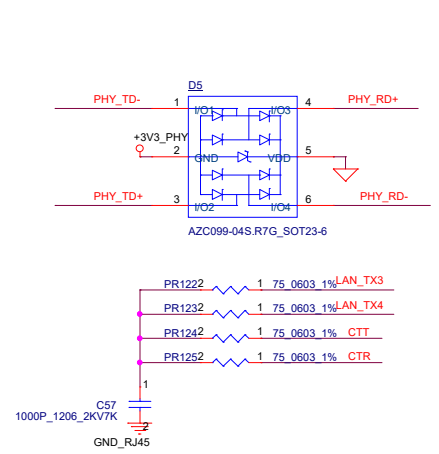


Crystal



RMI Mode	@R270, @R39
MII Mode	@R272, @R38, @R39

Transformer



Security Classification	Compal Secret Data		Deciphered Date	2019/12/30
Issued Date	2016/11/25			

THIS SHEET OF ENGINEERING DRAWING IS THE PROPRIETARY PROPERTY OF COMPAL ELECTRONICS, INC. AND CONTAINS CONFIDENTIAL AND TRADE SECRET INFORMATION. THIS SHEET MAY NOT BE TRANSFERRED FROM THE CUSTODY OF THE COMPLETE DIVISION OF R&D DEPARTMENT EXCEPT AS AUTHORIZED BY COMPAL ELECTRONICS, INC. NEITHER THIS SHEET NOR THE INFORMATION IT CONTAINS MAY BE USED BY OR DISCLOSED TO ANY THIRD PARTY WITHOUT PRIOR WRITTEN CONSENT OF COMPAL ELECTRONICS, INC.

Title				SOC AW-CU300	
Size	Document Number			Rev	0.1
Custom					
Date:	Tuesday, December 04, 2018	Sheet	4	of	8