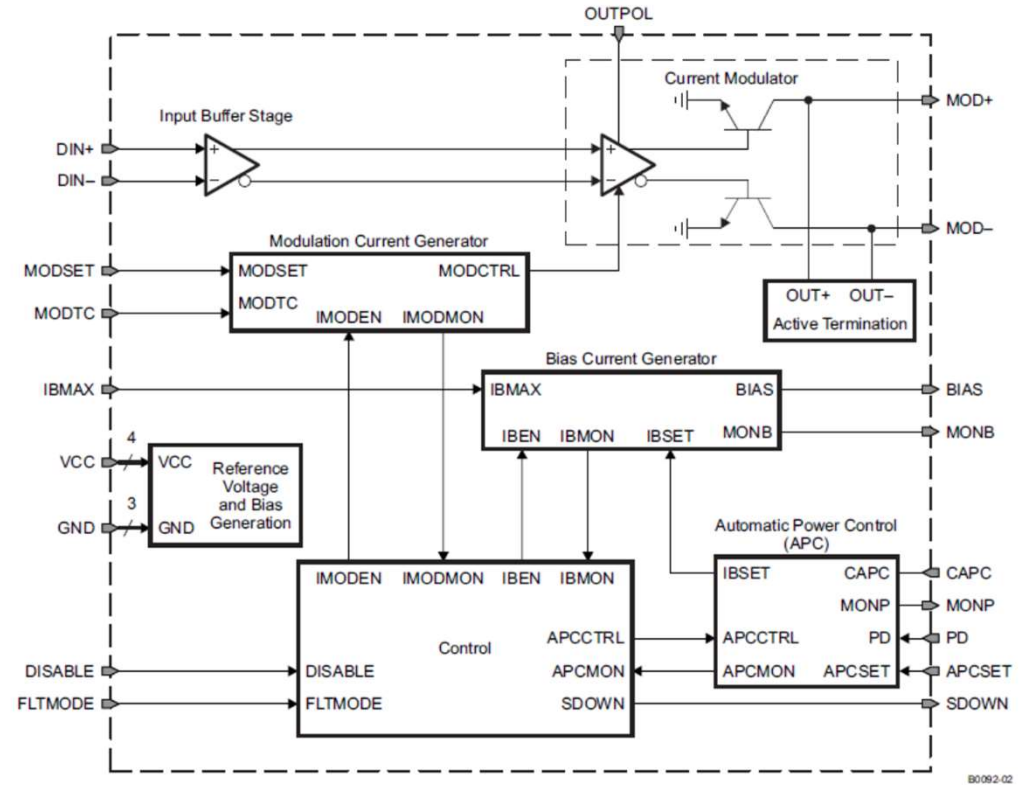
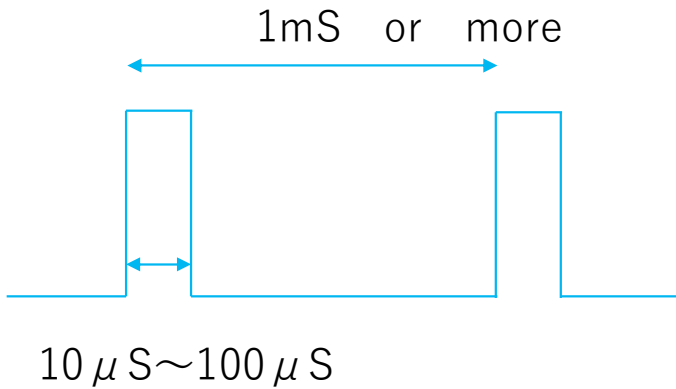


LASER DRIVER

I'm looking for an LD driver that can light the LD for 10 μ S to 100 μ S.

Can the ONET4201 turn on the LD by inputting the following pulse signal to DIN+?



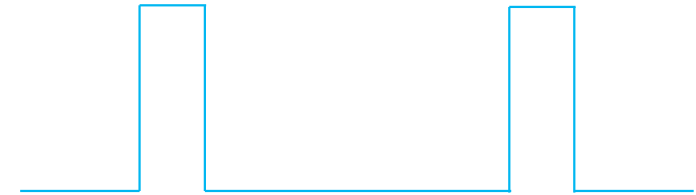
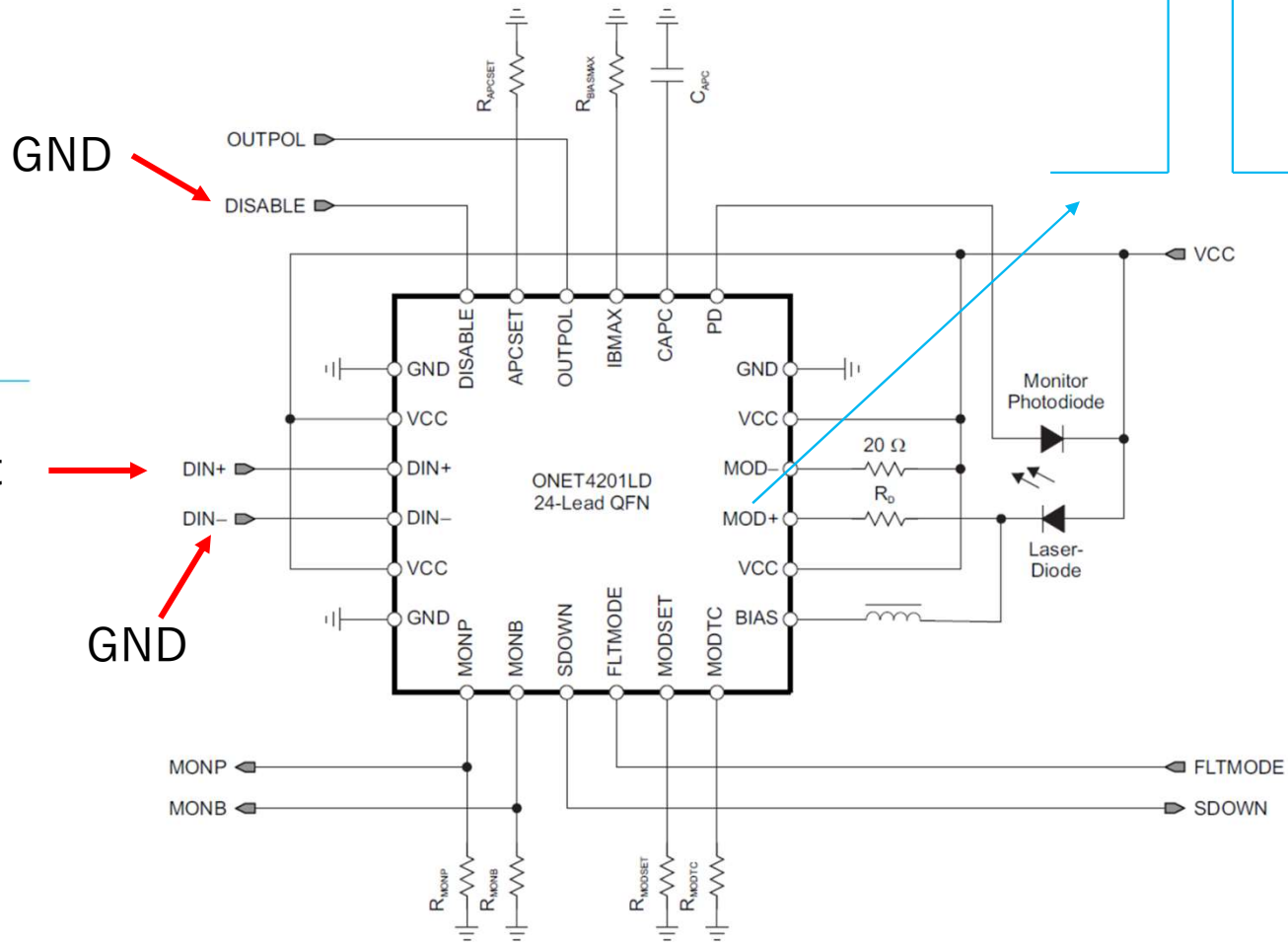
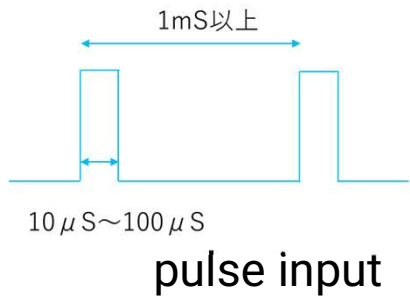
Is there an evaluation board for ONET4201?
Is there any other TI IC that can control the LD?

B0092-02

TI製 : ONET4201

Schematic Specification Draft

MOD+ port waveform



S0154-02