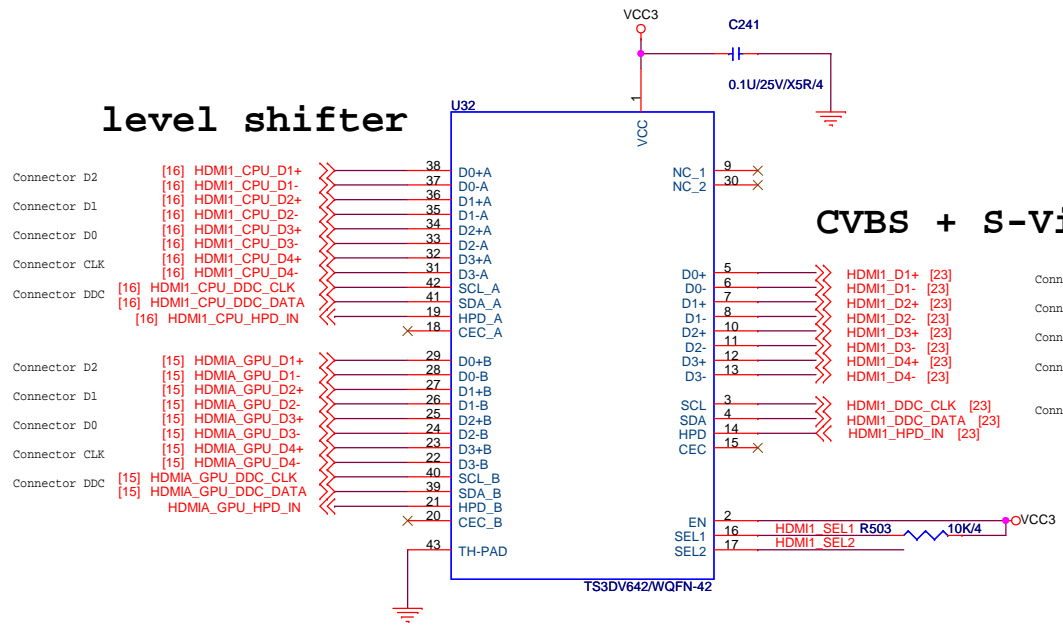


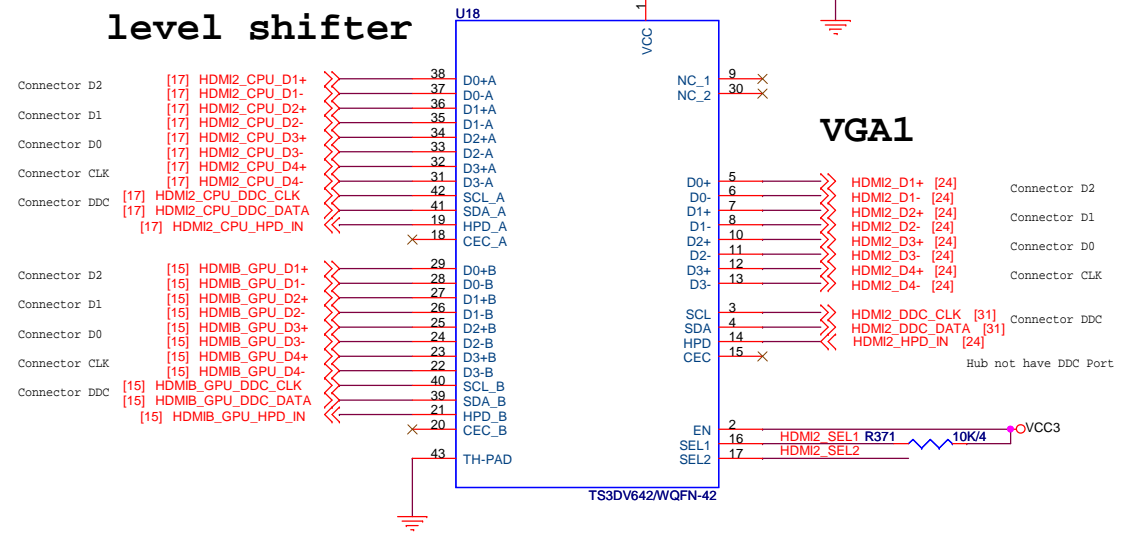
# level shifter



- Connector D2: [16] HDM1\_CPU\_D1+, [16] HDM1\_CPU\_D1-, [16] HDM1\_CPU\_D2+, [16] HDM1\_CPU\_D2-, [16] HDM1\_CPU\_D3+, [16] HDM1\_CPU\_D3-, [16] HDM1\_CPU\_D4+, [16] HDM1\_CPU\_D4-
- Connector DDC: [16] HDM1\_CPU\_DDC\_CLK, [16] HDM1\_CPU\_DDC\_DATA, [16] HDM1\_CPU\_HPD\_IN
- Connector D2: [15] HDMIA\_GPU\_D1+, [15] HDMIA\_GPU\_D1-, [15] HDMIA\_GPU\_D2+, [15] HDMIA\_GPU\_D2-, [15] HDMIA\_GPU\_D3+, [15] HDMIA\_GPU\_D3-, [15] HDMIA\_GPU\_D4+, [15] HDMIA\_GPU\_D4-
- Connector DDC: [15] HDMIA\_GPU\_DDC\_CLK, [15] HDMIA\_GPU\_DDC\_DATA, [15] HDMIA\_GPU\_HPD\_IN

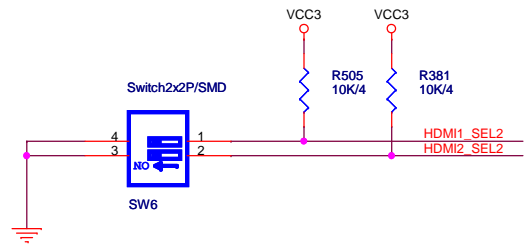
- Connector D2: HDM1\_D1+ [23], HDM1\_D1- [23]
- Connector D1: HDM1\_D2+ [23], HDM1\_D2- [23]
- Connector D0: HDM1\_D3+ [23], HDM1\_D3- [23]
- Connector CLK: HDM1\_D4+ [23], HDM1\_D4- [23]
- Connector DDC: HDM1\_DDC\_CLK [23], HDM1\_DDC\_DATA [23], HDM1\_HPD\_IN [23]

# level shifter



- Connector D2: [17] HDM2\_CPU\_D1+, [17] HDM2\_CPU\_D1-, [17] HDM2\_CPU\_D2+, [17] HDM2\_CPU\_D2-, [17] HDM2\_CPU\_D3+, [17] HDM2\_CPU\_D3-, [17] HDM2\_CPU\_D4+, [17] HDM2\_CPU\_D4-
- Connector DDC: [17] HDM2\_CPU\_DDC\_CLK, [17] HDM2\_CPU\_DDC\_DATA, [17] HDM2\_CPU\_HPD\_IN
- Connector D2: [15] HDMIB\_GPU\_D1+, [15] HDMIB\_GPU\_D1-, [15] HDMIB\_GPU\_D2+, [15] HDMIB\_GPU\_D2-, [15] HDMIB\_GPU\_D3+, [15] HDMIB\_GPU\_D3-, [15] HDMIB\_GPU\_D4+, [15] HDMIB\_GPU\_D4-
- Connector DDC: [15] HDMIB\_GPU\_DDC\_CLK, [15] HDMIB\_GPU\_DDC\_DATA, [15] HDMIB\_GPU\_HPD\_IN

- Connector D2: HDM2\_D1+ [24], HDM2\_D1- [24]
  - Connector D1: HDM2\_D2+ [24], HDM2\_D2- [24]
  - Connector D0: HDM2\_D3+ [24], HDM2\_D3- [24]
  - Connector CLK: HDM2\_D4+ [24], HDM2\_D4- [24]
  - Connector DDC: HDM2\_DDC\_CLK [31], HDM2\_DDC\_DATA [31], HDM2\_HPD\_IN [24]
- Hub not have DDC Port



Layout Put this DIP Switch close to Connector

Table 1. Functional Table

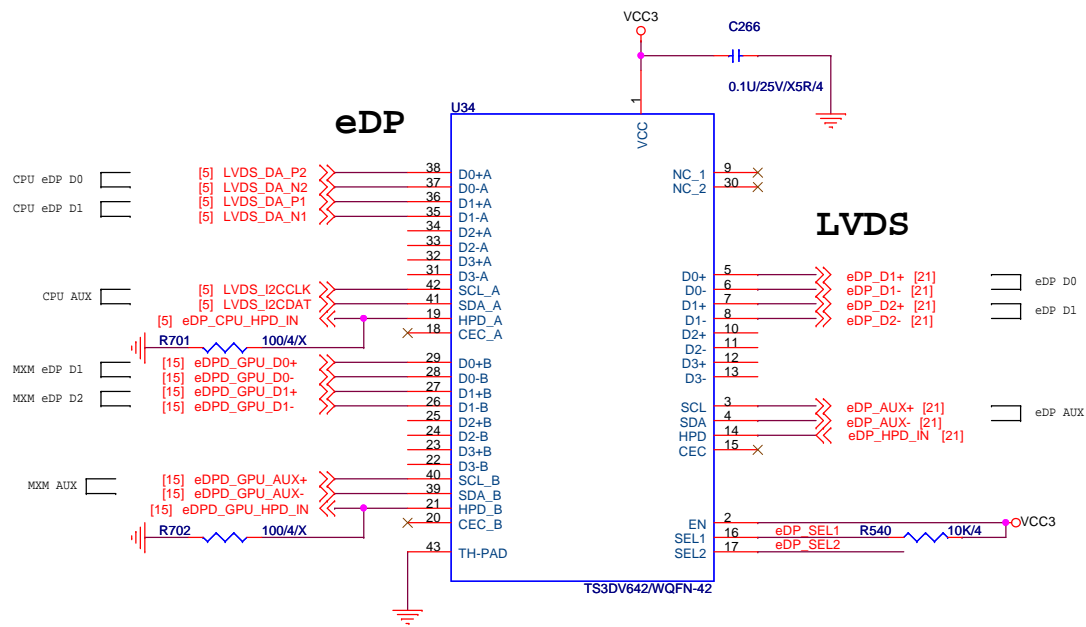
EN	SEL1	SEL2	FUNCTION
L	X	X	Switch disabled. All channels are Hi-Z.
H	L	L	Channel D0+/D0- to D0+A/D0-A is ON. All the other channels (D1+/D1-, D2+/D2-, D3+/D3-, SCL, SDA, HPD, CEC) are Hi-Z.
H	L	H	Channel D0+/D0- to D0+B/D0-B is ON. All the other channels (D1+/D1-, D2+/D2-, D3+/D3-, SCL, SDA, HPD, CEC) are Hi-Z.
H	H	L	All A channels are enabled. All B channels are Hi-Z.
H	H	H	All B channels are enabled. All A channels are Hi-Z.

**Medwel**

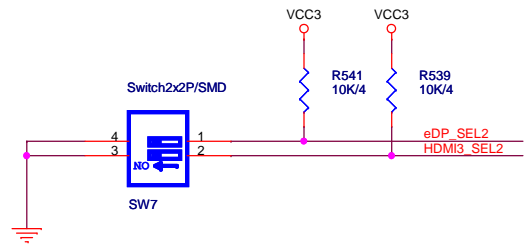
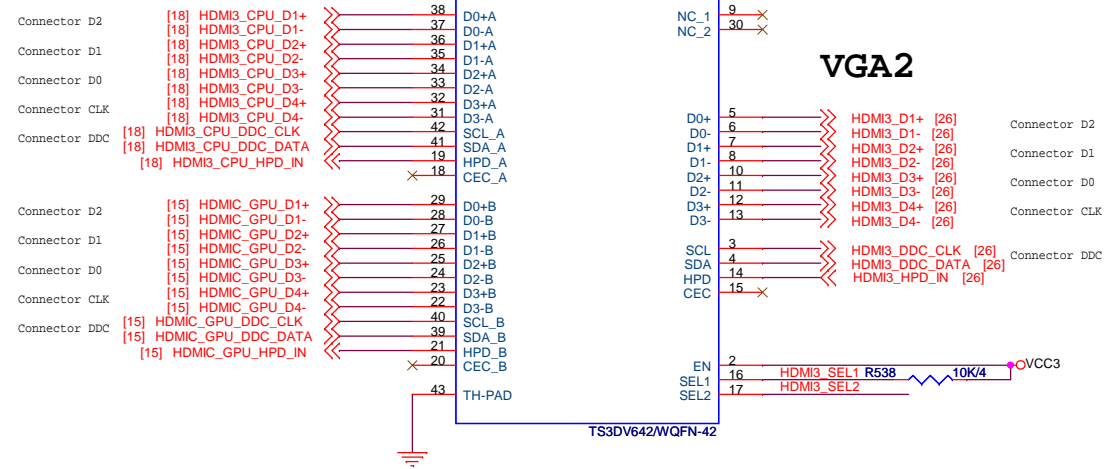
Title: **Cover Sheet**

Size B: Document Number **MEDM-C603(未開案)** Rev 2000

Date: Wednesday, March 22, 2017 Sheet 19 of 49



### level shifter



Layout Put this DIP Switch close to Connector

Table 1. Functional Table

EN	SEL1	SEL2	FUNCTION
L	X	X	Switch disabled. All channels are Hi-Z.
H	L	L	Channel D0+/D0- to D0+A/D0-A is ON. All the other channels (D1+/D1-, D2+/D2-, D3+/D3-, SCL, SDA, HPD, CEC) are Hi-Z.
H	L	H	Channel D0+/D0- to D0+B/D0-B is ON. All the other channels (D1+/D1-, D2+/D2-, D3+/D3-, SCL, SDA, HPD, CEC) are Hi-Z.
H	H	L	All A channels are enabled. All B channels are Hi-Z.
H	H	H	All B channels are enabled. All A channels are Hi-Z.

**Medwell**

Title: **Cover Sheet**

Size B: Document Number **MEDM-C603(未開案)** Rev **Z000**

Date: **Wednesday, March 22, 2017** Sheet **20** of **49**