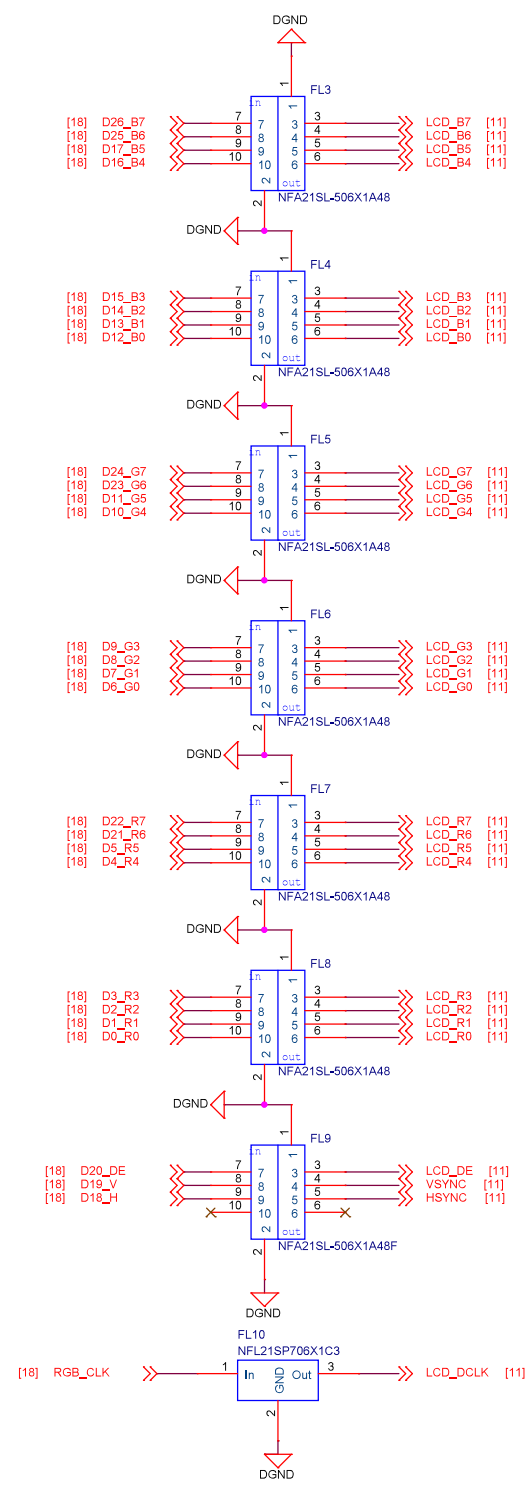
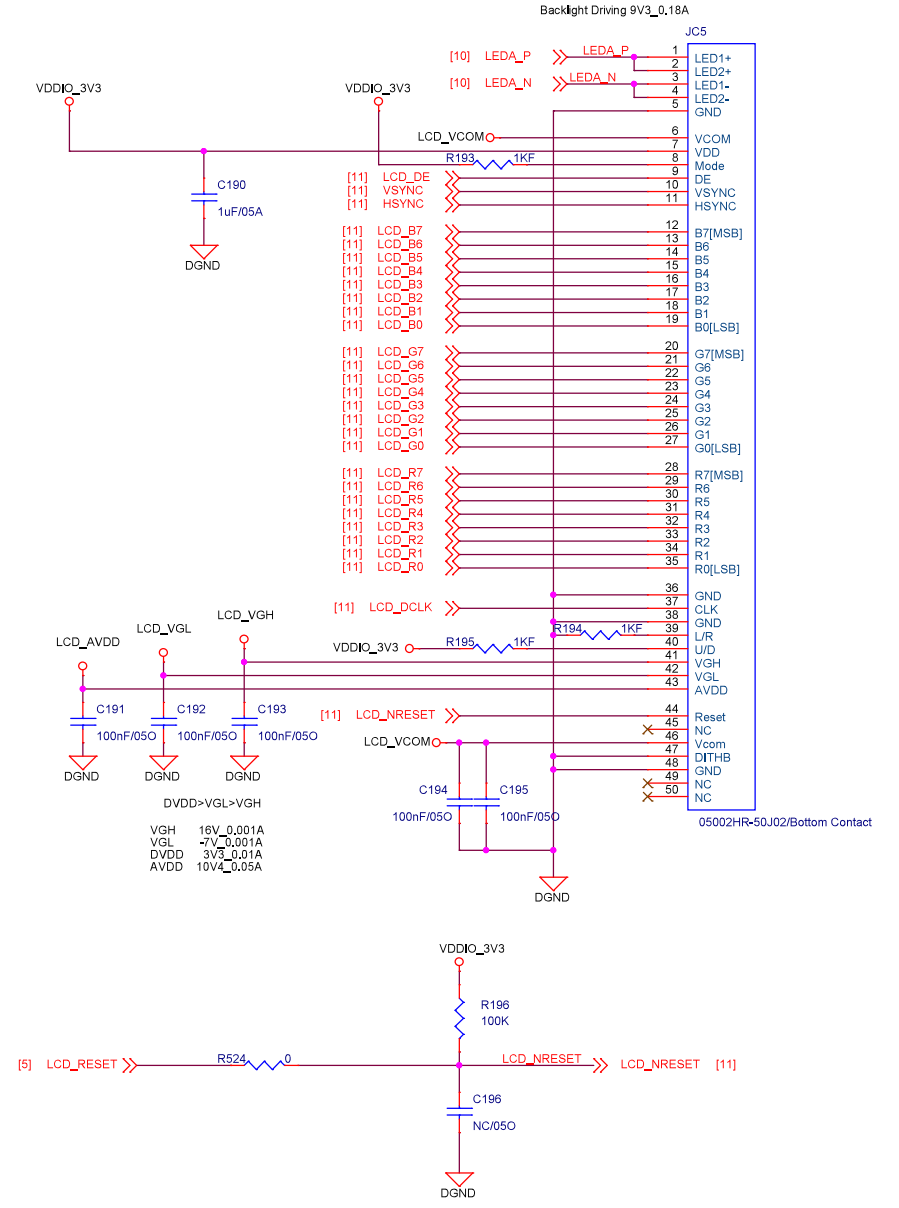


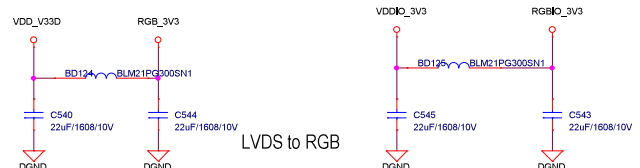
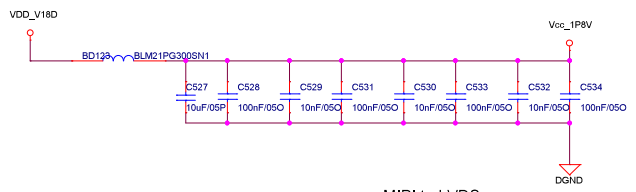
7inch TFT LCD[Clear Display RGB 24bit : 800\*480]



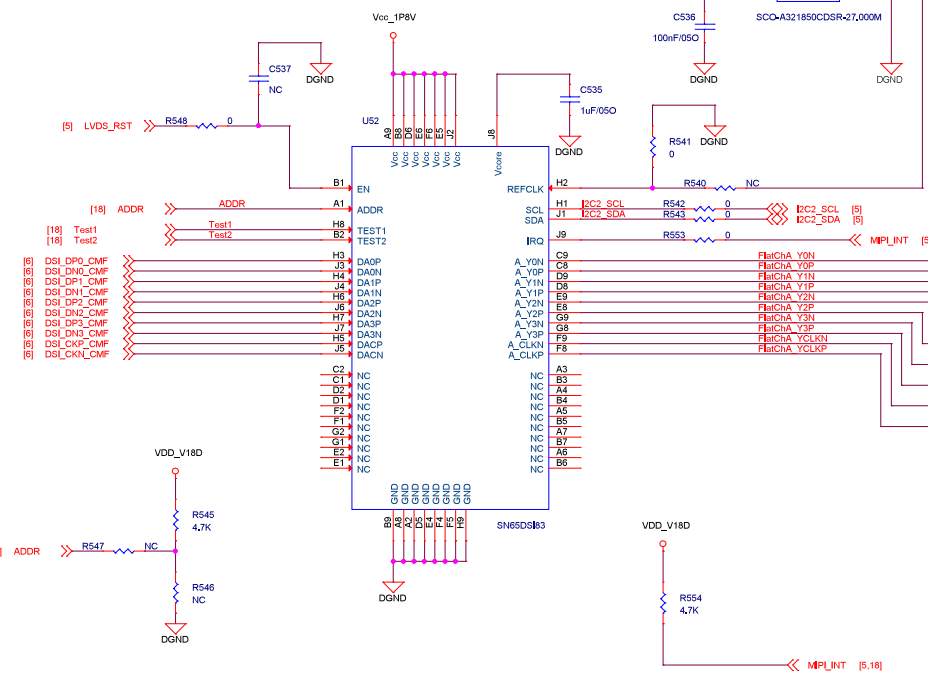
LCD\_D[16..23] => R[0..7]  
 LCD\_D[8..15] => G[0..7]  
 LCD\_D[0..7] => B[0..7]



DVDD>VGL>VGH  
 VGH 16V\_0.001A  
 VGL -7V\_0.001A  
 DVDD 3V3\_0.01A  
 AVDD 10V4\_0.05A



MPI to LVDS



LVDS to RGB

