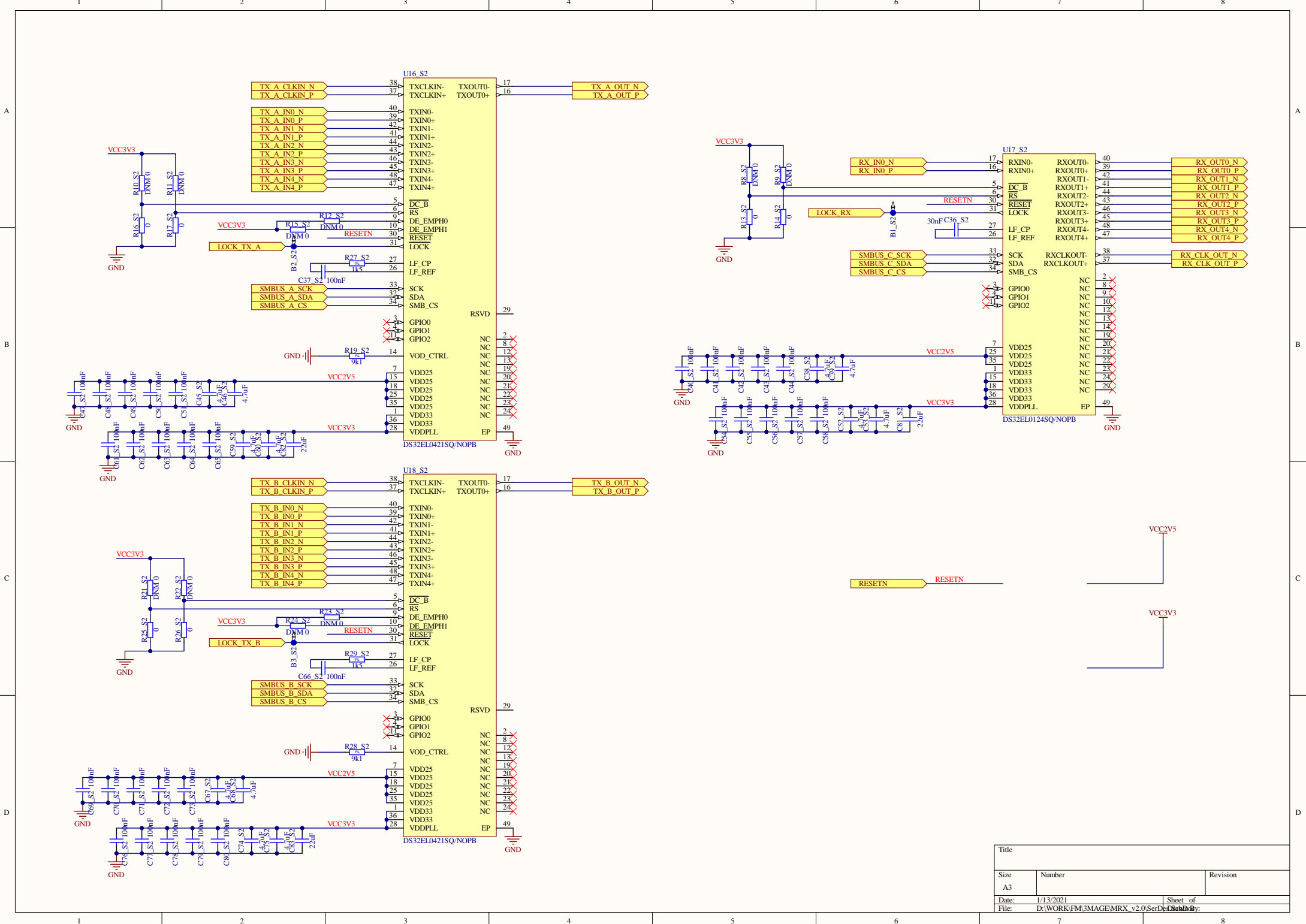


Title		
Size	Number	Revision
A3		
Date:	1/13/2021	Sheet of
File:	D:\WORK\FM3MAGE\MRX_v2.0\Src\Ds32El042	Drawn By:



Title		
Size	Number	Revision
A3		
Date:	1/13/2021	Sheet of
File:	D:\WORK\FM3\MAGE\MRX_v2.0\SerDes\	Drawn By:

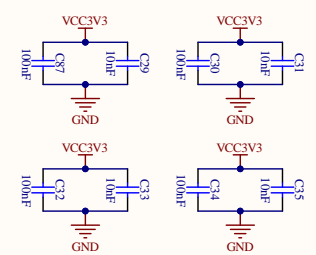
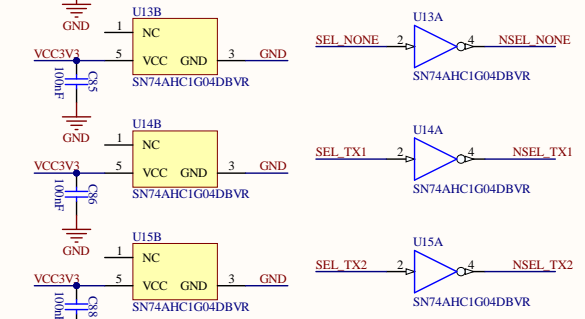
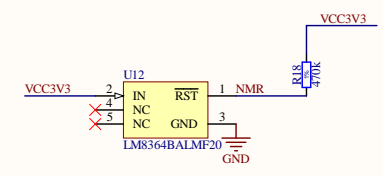
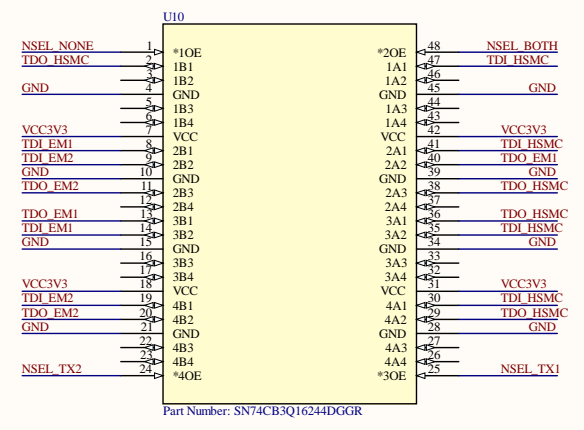
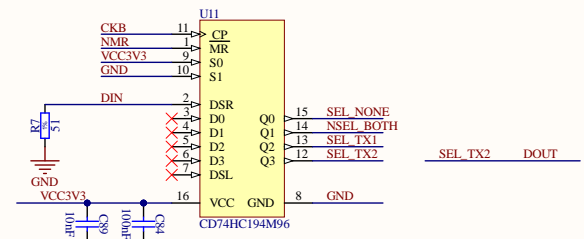
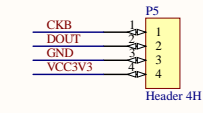
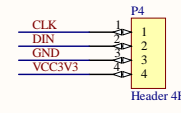
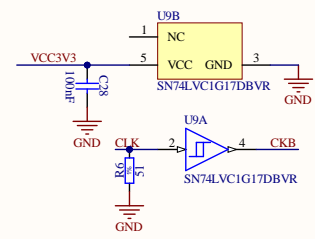
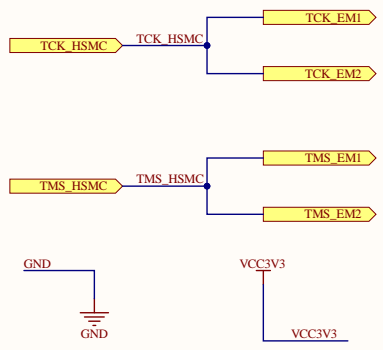


**Jtag configuration:**

board 1:  
P1: 1-2 (jumper between 1 and 2) - Dummy  
P2: 2-3  
P3: 2-3

board 2:  
P1: 1-2  
P2: 1-2  
P3: 1-2

board 1+2 (both boards)  
P1: 2-3  
P2: 2-3  
P3: 1-2



Title		
Size	Number	Revision
A3		
Date:	1/13/2021	Sheet of
File:	D:\WORK\FM3\MAGE\MRX_v2.0\Jtag_3.dwg	Drawn By:

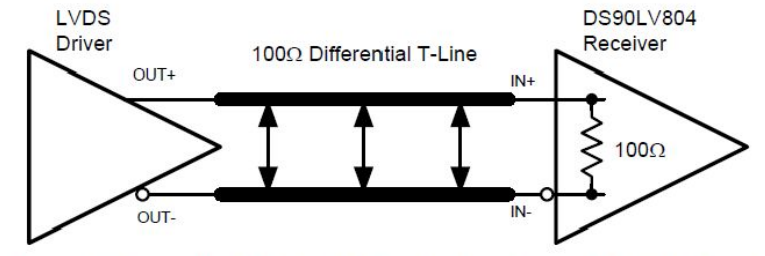
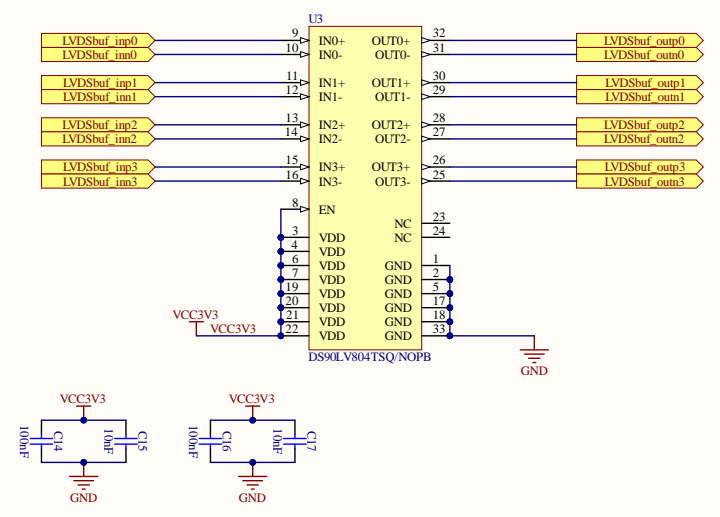
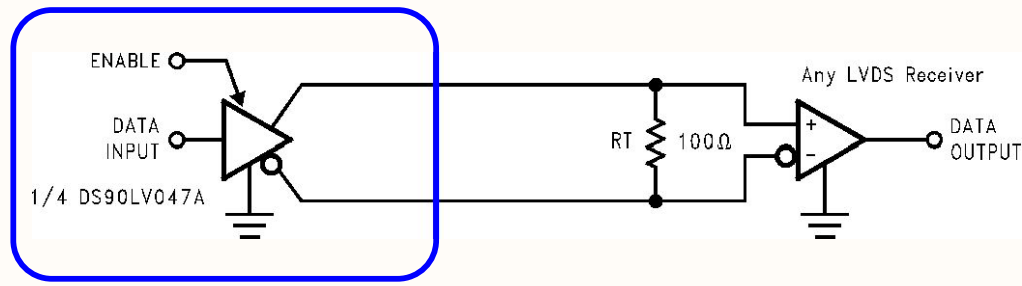
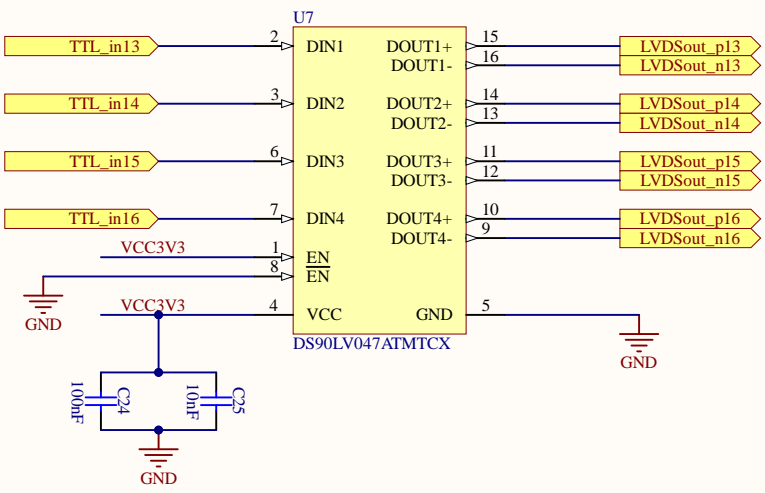
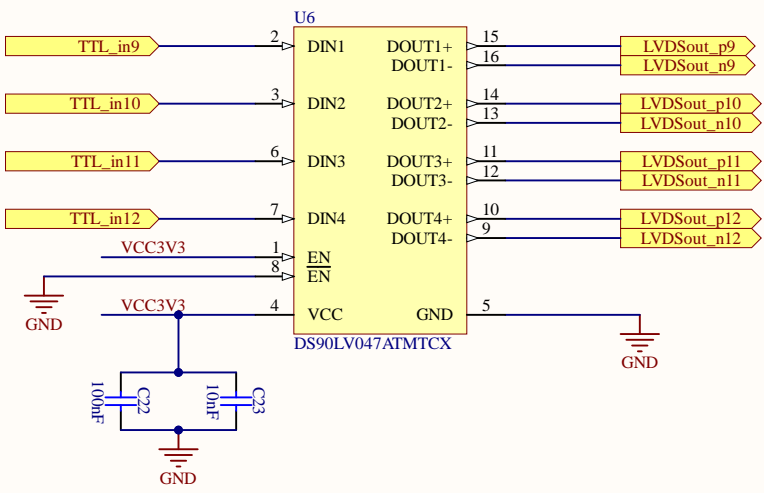
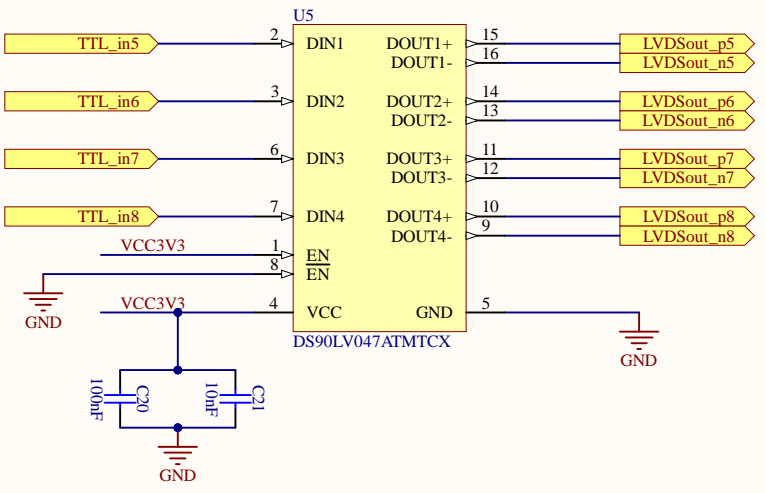
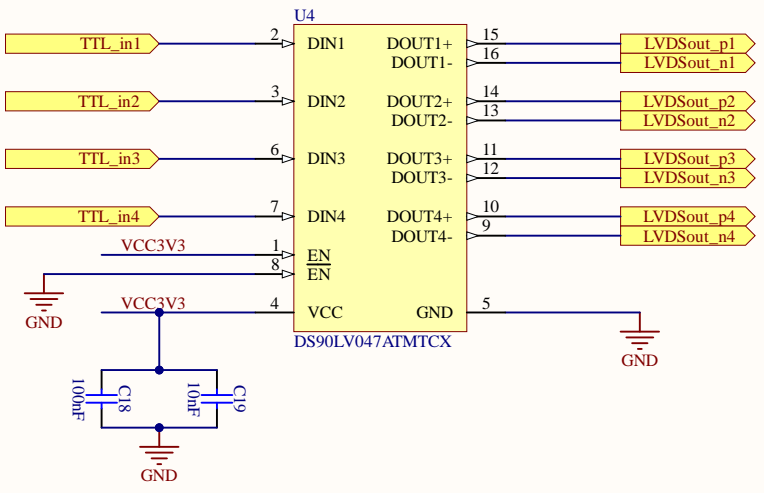


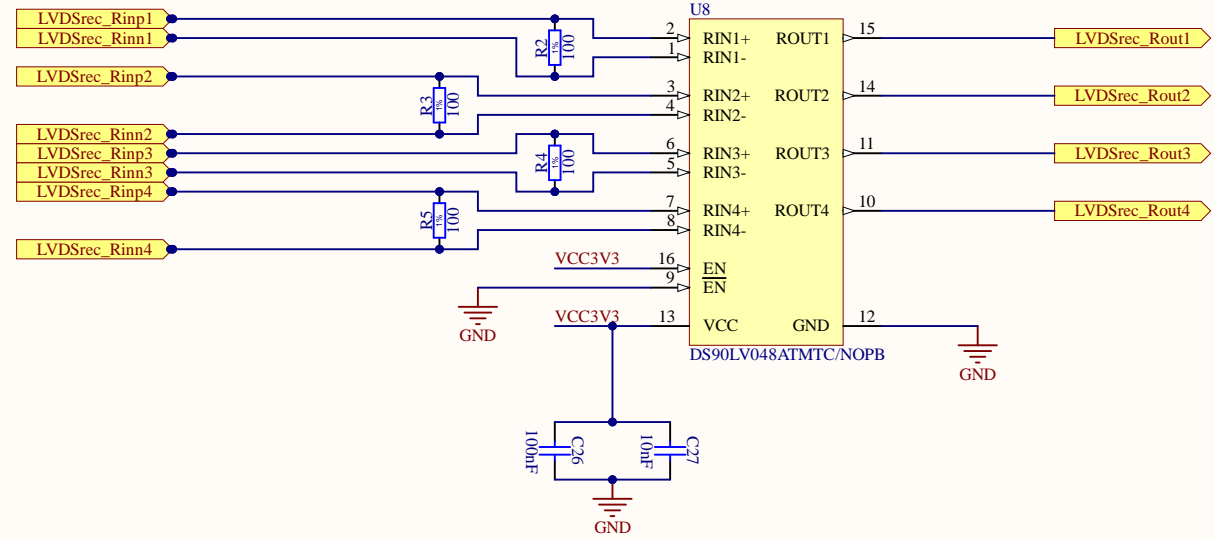
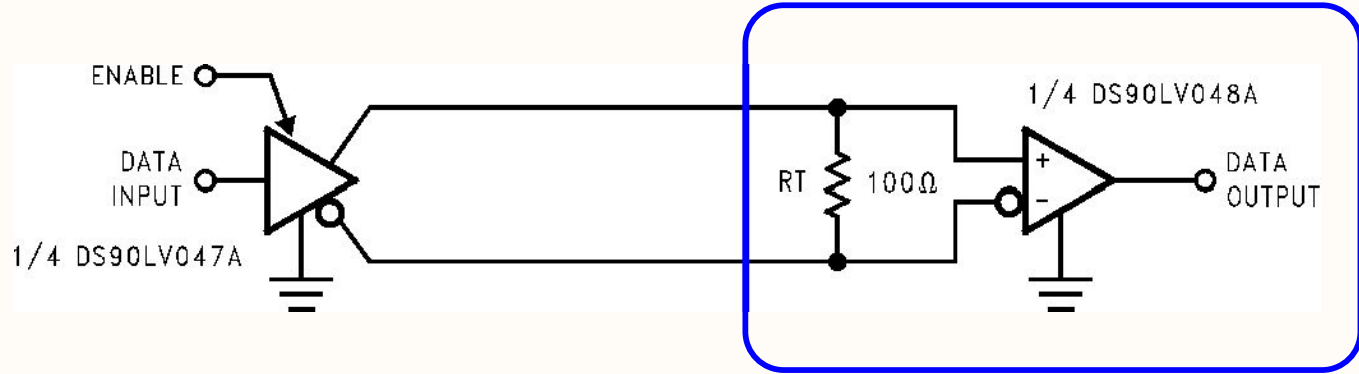
Figure 2. Typical LVDS Driver DC-Coupled Interface to DS90LV804 Input



Title		
Size A3	Number	Revision
Date: 1/13/2021	Sheet of	
File: D:\WORK\...\LVDS_buffers.SchDoc	Drawn By:	



Title		
Size A4	Number	Revision
Date: 1/13/2021	Sheet of	
File: D:\WORK\...\LVDSdriver.SchDoc	Drawn By:	



Title		
Size A4	Number	Revision
Date: 1/13/2021	Sheet of	
File: D:\WORK\...\LVDSReceiver.SchDoc	Drawn By:	

