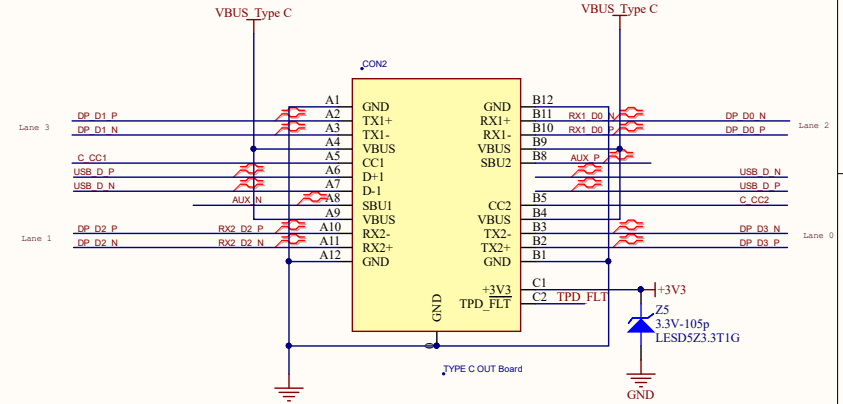
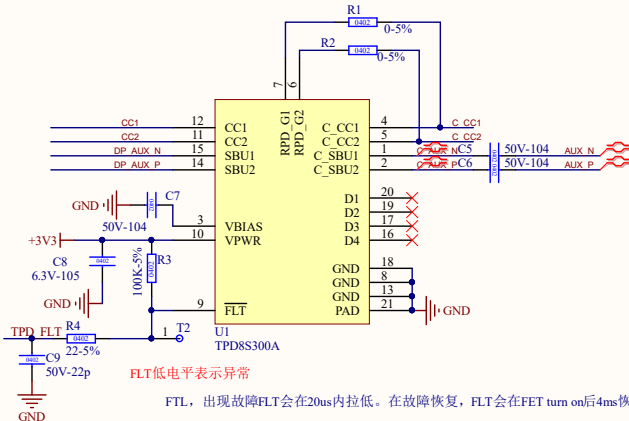
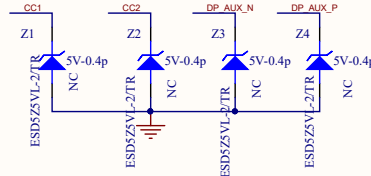
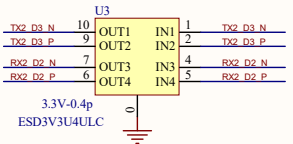
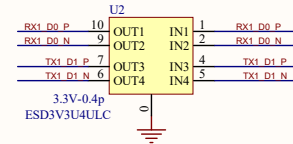


TYPE C Receptacle



TYPE C OUT Board



FLT低电平表示异常
 FLT, 出现故障FLT会在20us内拉低。在故障恢复, FLT会在FET turn on后4ms恢复

Title		
Size	Number	Revision
A3		
Date:	2019/11/22	Sheet of
File:	E:\Project\...MTouchII\USBV10A_SchDoc	Drawn By: