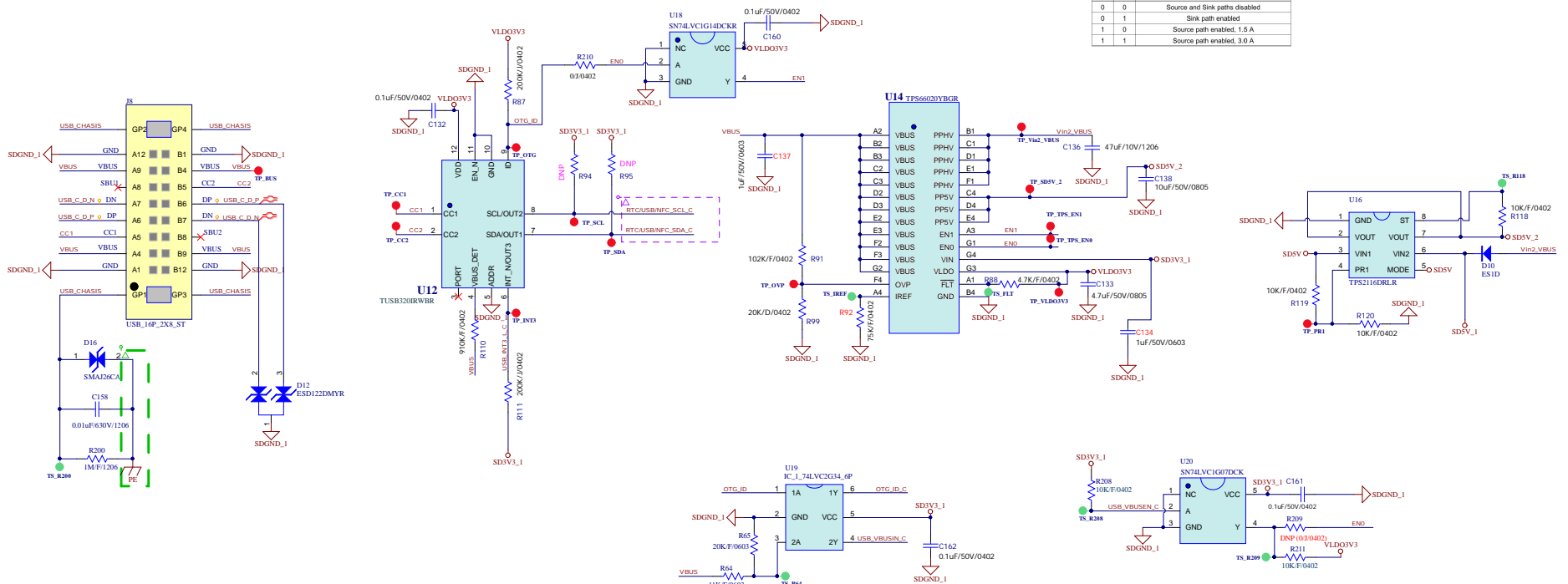


A

B

C

D



Pin Name	ID	Description	Comment	PCB Symbol
USB_VBUS_EN	Output	Outputs the VBUS power enable signal for USB	Power supply to VBUS is On / Off	USB_VBUS_EN_C
USB_VBUS_IN	Input	USB cable connection/disconnection detection input pin	-	USB_VBUS_IN_C
USB_OTG_ID	Input	OTG ID pin	-	OTG_ID_C

EN1	EN0	Device State
0	0	Source and Sink paths disabled
0	1	Sink path enabled
1	0	Source path enabled, 1.5 A
1	1	Source path enabled, 3.0 A

Date:	LY.REV:	Drawn:	Checked	Approved	PART NO:	REV.	SHEET
PWB:	FILE NAME:						___ OF ___
DESCRIPTION:							