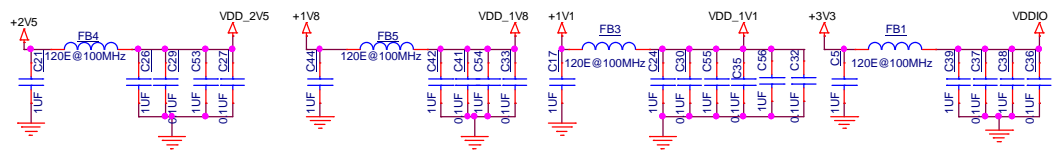
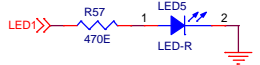
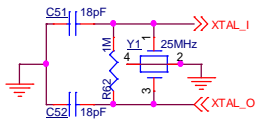
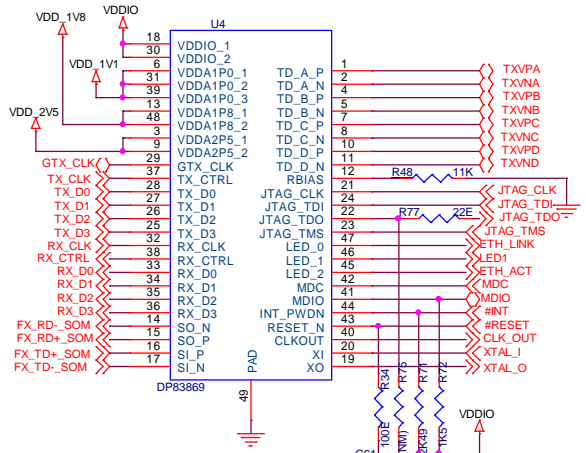


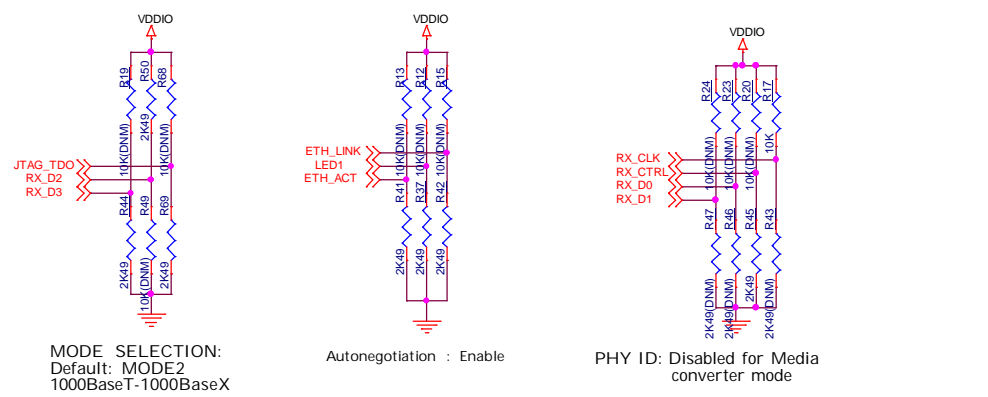
# DP83869



internally coupled in connector  
mount required resistors  
if there is impedance issue



# STRAP CONFIGURATION

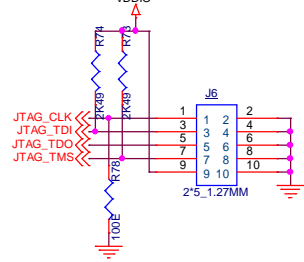


MODE SELECTION:  
Default: MODE2  
1000BaseT-1000BaseX

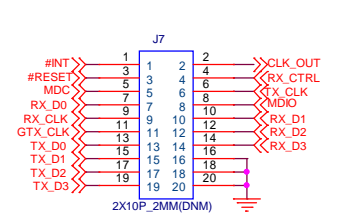
Autonegotiation : Enable

PHY ID: Disabled for Media  
converter mode

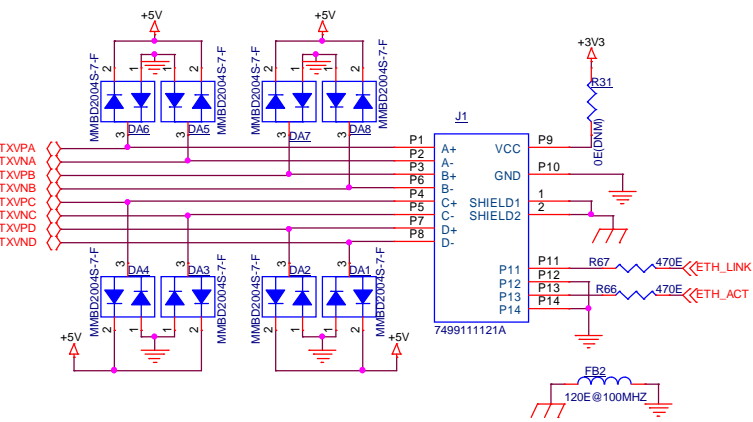
## PROGRAMMING CONNECTOR



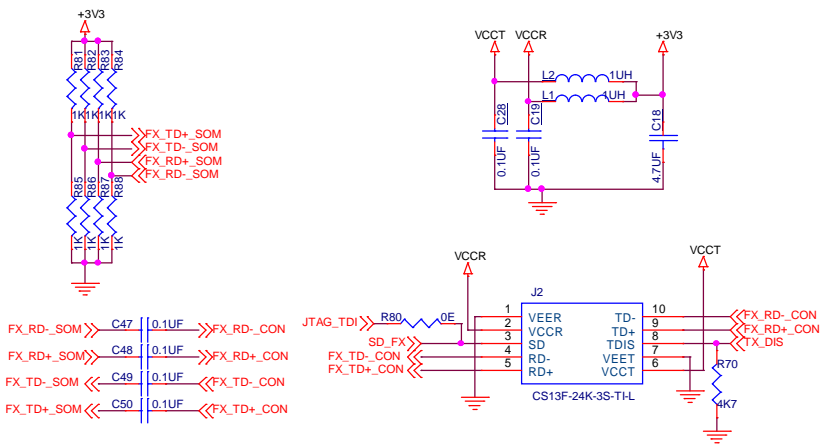
## ETHERNET SPARE CONNECTOR



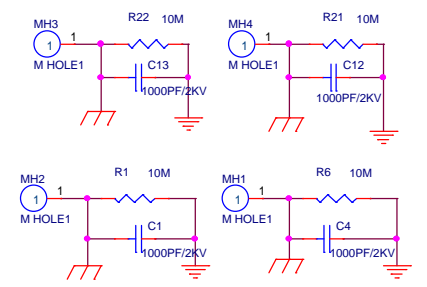
# ETHERNET



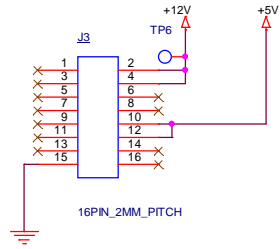
# FIBER CONNECTOR



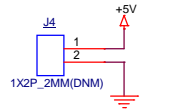
# MOUNTING HOLES



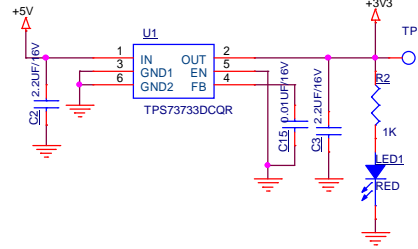
# BOARD TO BOARD CONNECTOR



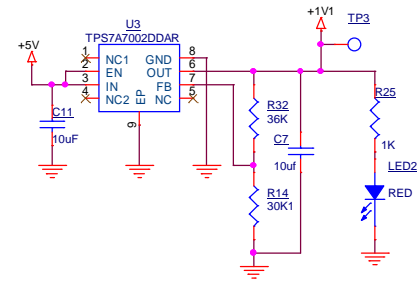
# EXTERNAL INPUT (optional)



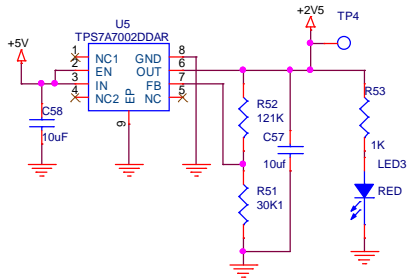
# REGULATOR:+3V3



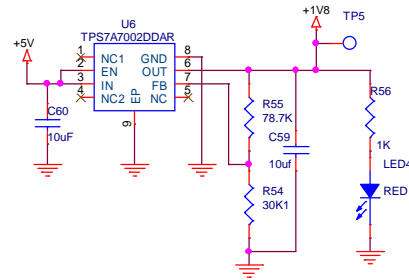
# REGULATOR:+1V1



# REGULATOR:2V5



# REGULATOR:1V8



Title		
Size	Document Number	Rev
A3		1.0
Date	Monday, December 21, 2020	Sheet 3 of 3