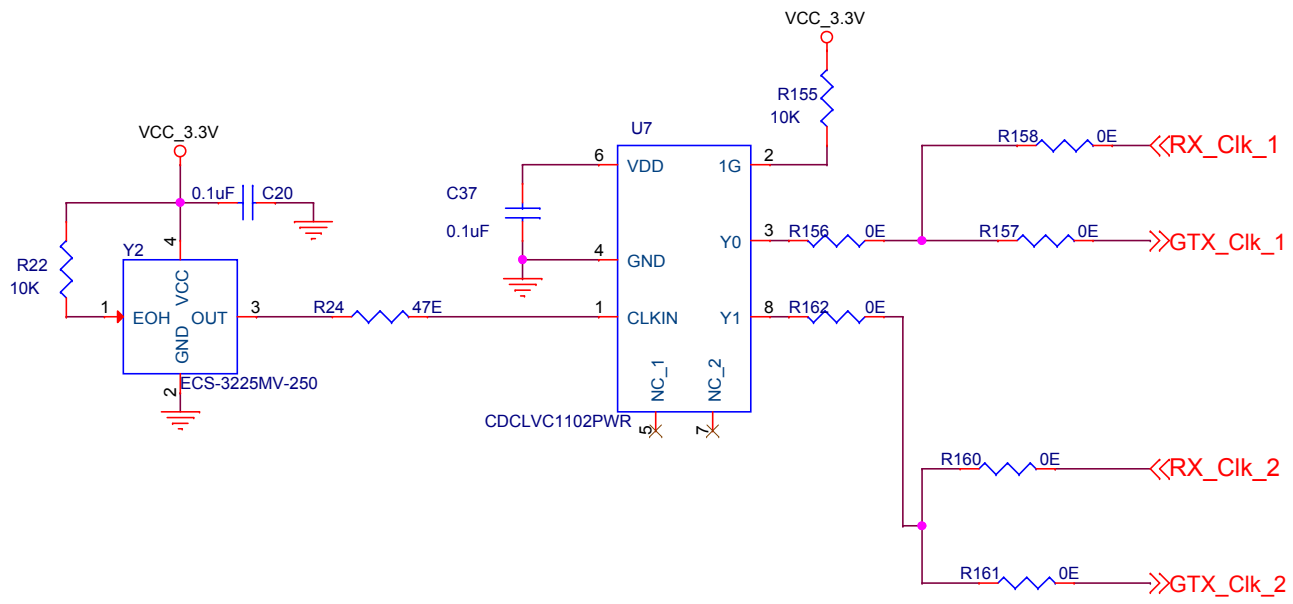
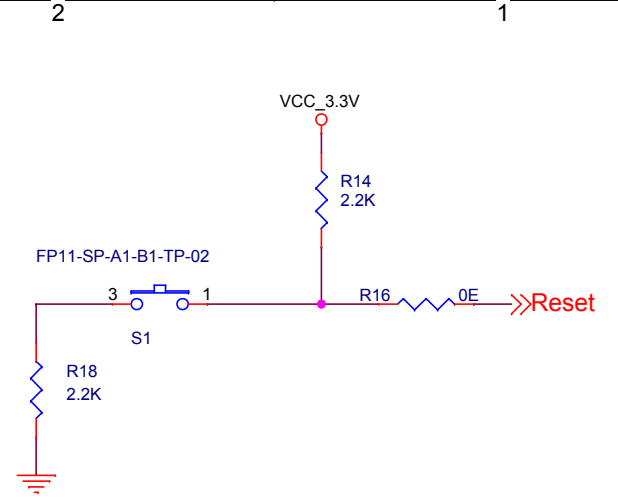
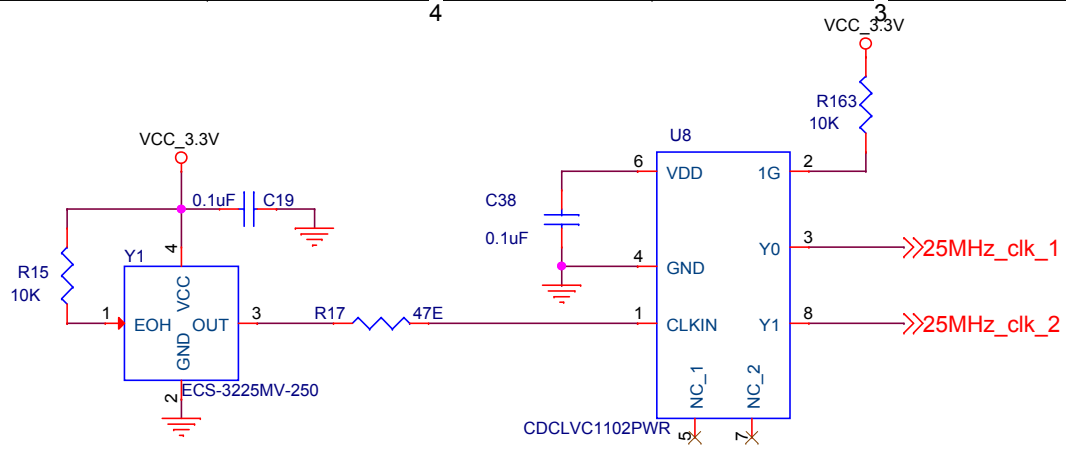
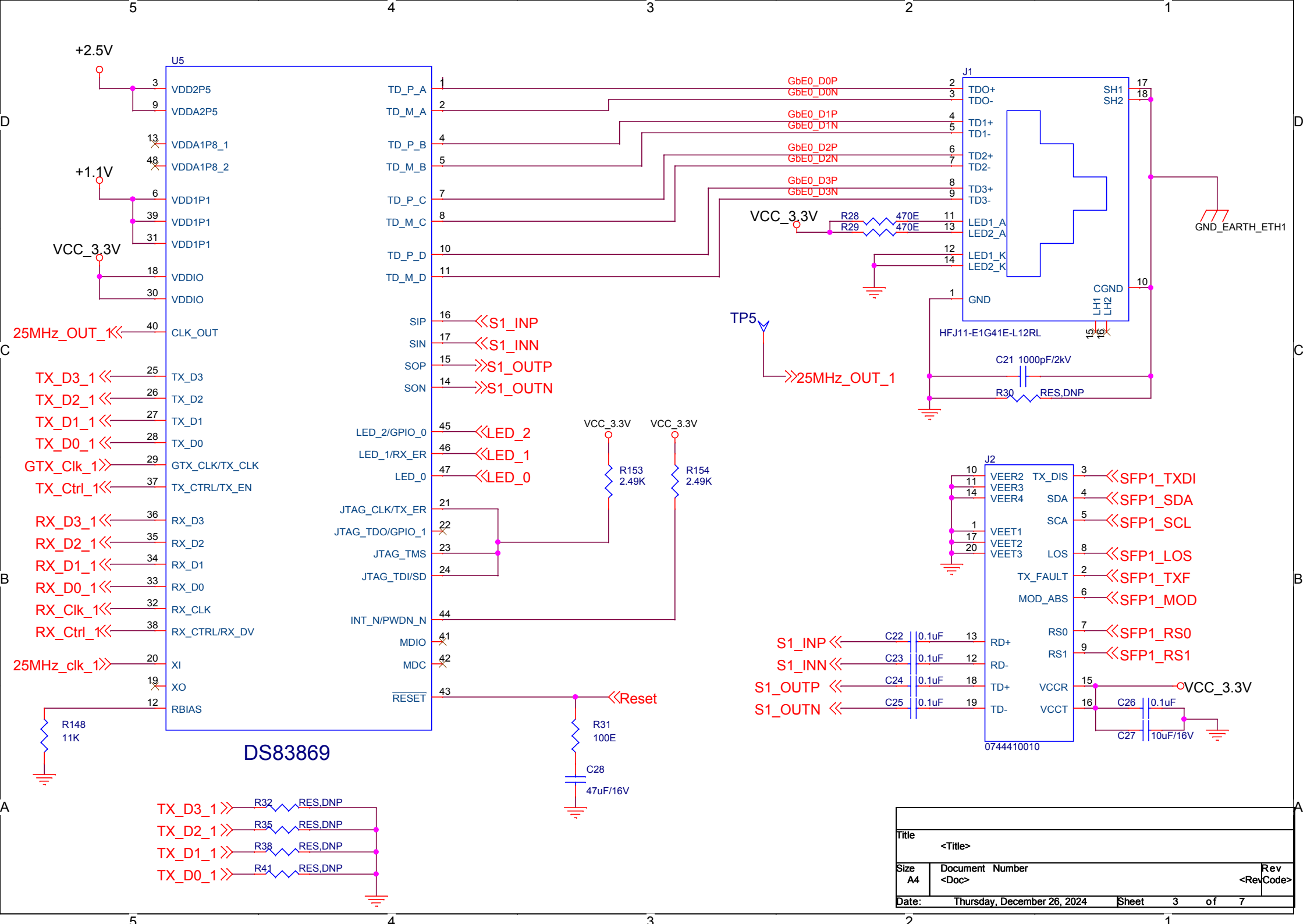


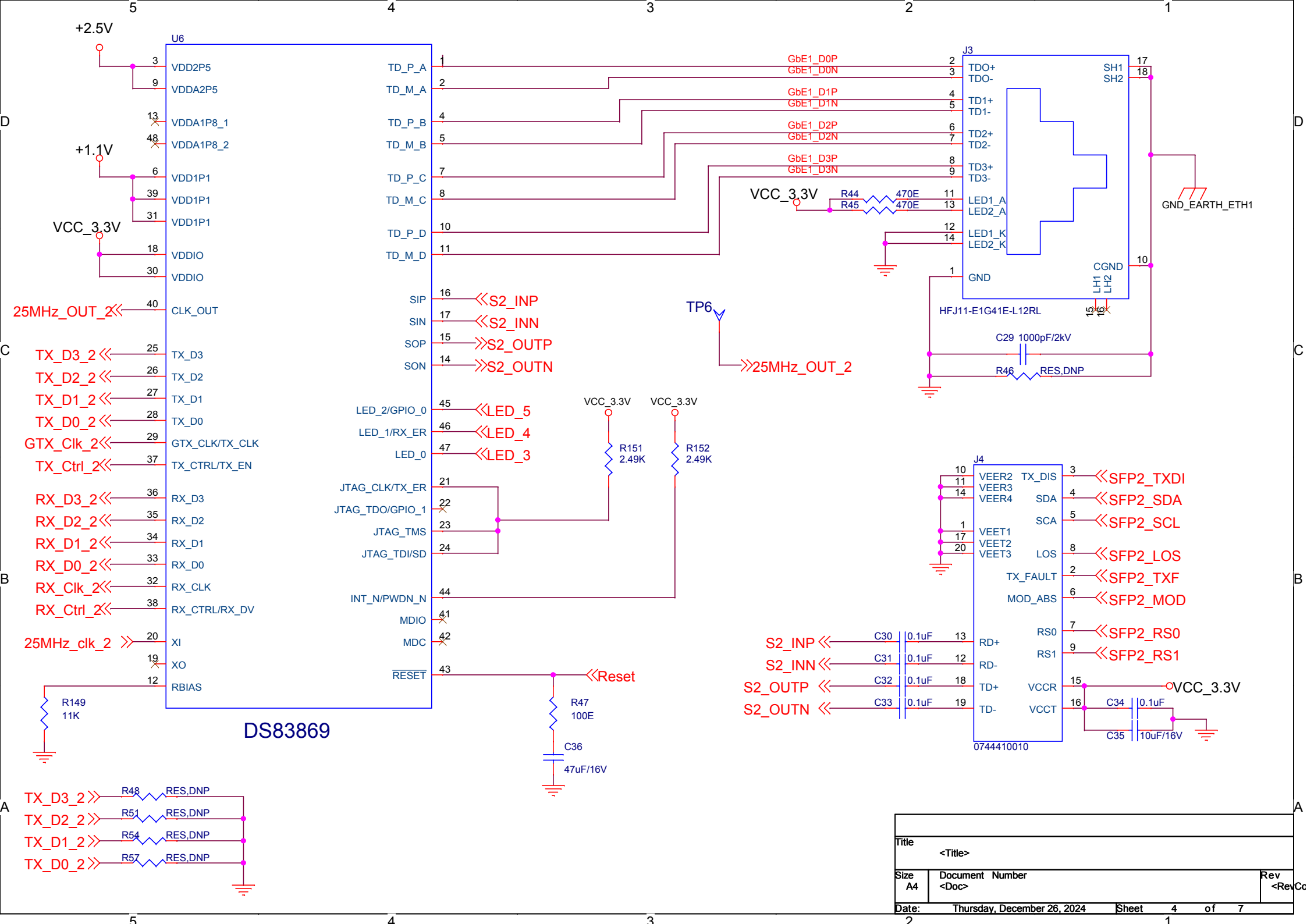
Title		
<Title>		
Size A4	Document Number <Doc>	Rev <Rev Cc>
Date: Thursday, December 26, 2024	Sheet 1	of 7



Title		
<Title>		
Size A4	Document Number <Doc>	Rev <Rev Cc>
Date: Thursday, December 26, 2024	Sheet 2	of 7

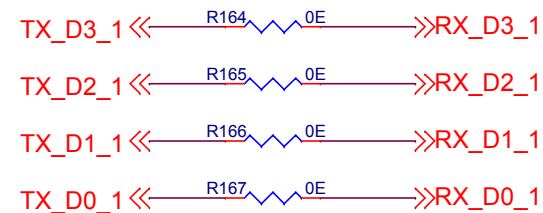
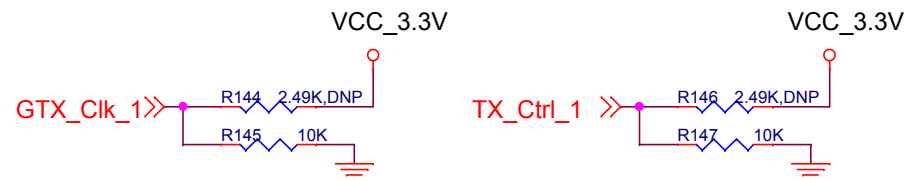
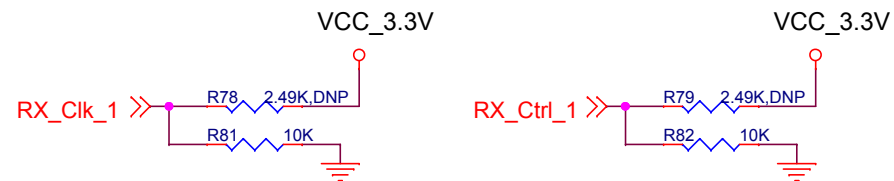
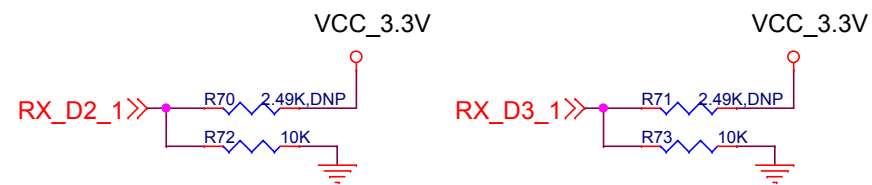
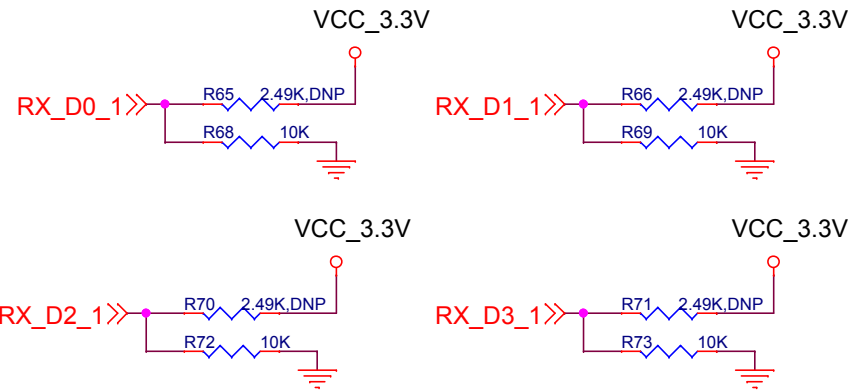
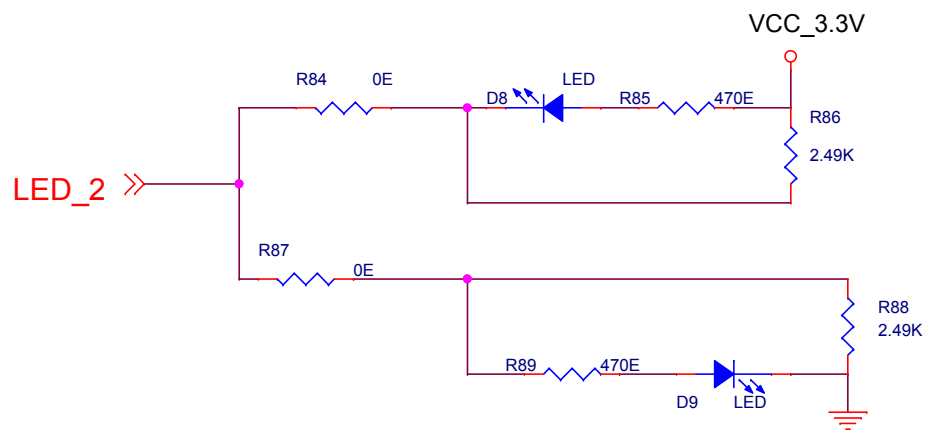
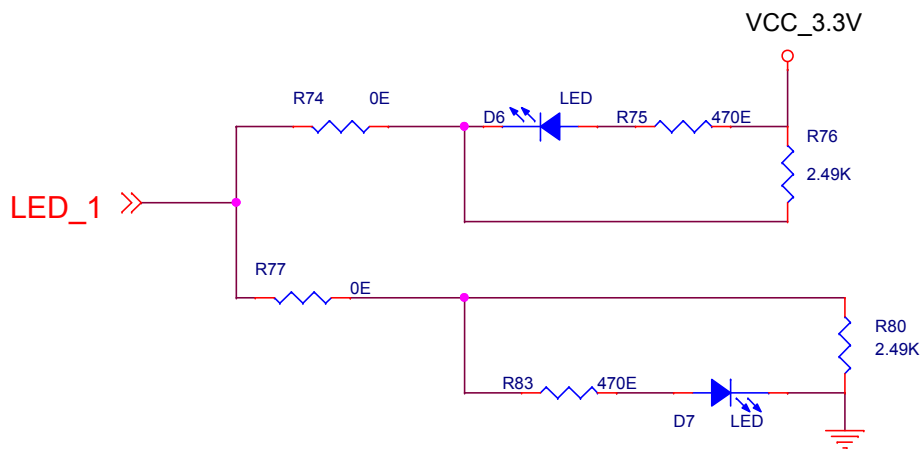
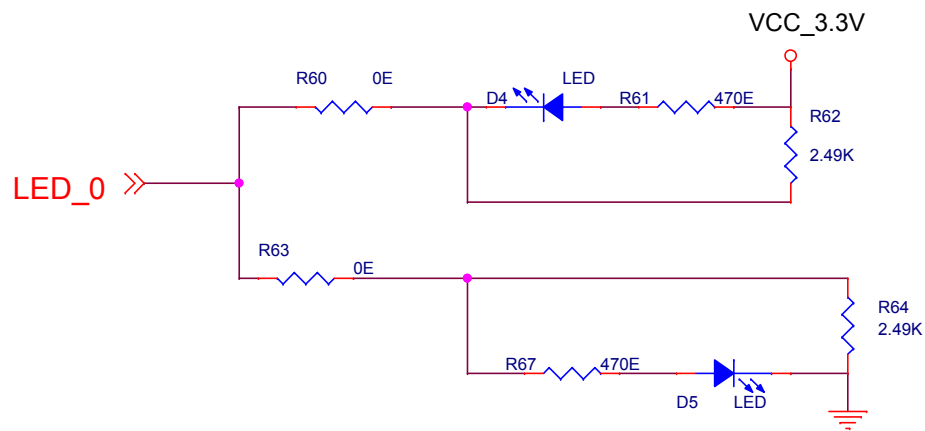


Title		
<Title>		
Size	Document Number	Rev
A4	<Doc>	<RevCode>
Date:	Thursday, December 26, 2024	Sheet 3 of 7

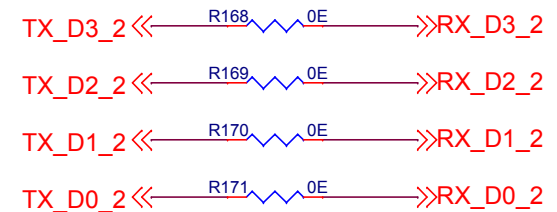
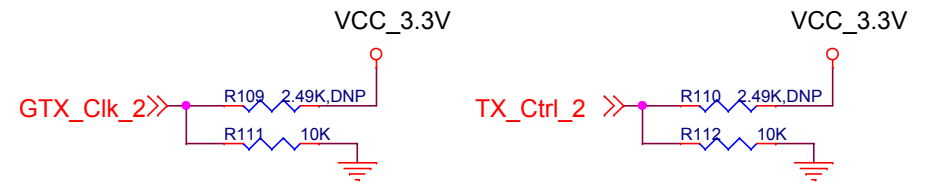
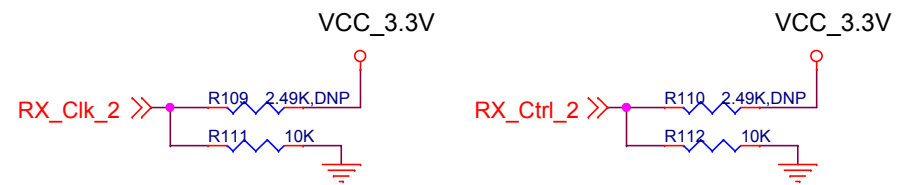
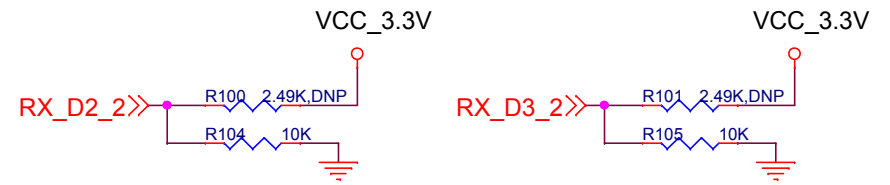
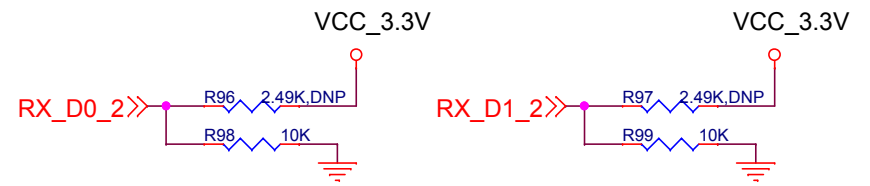
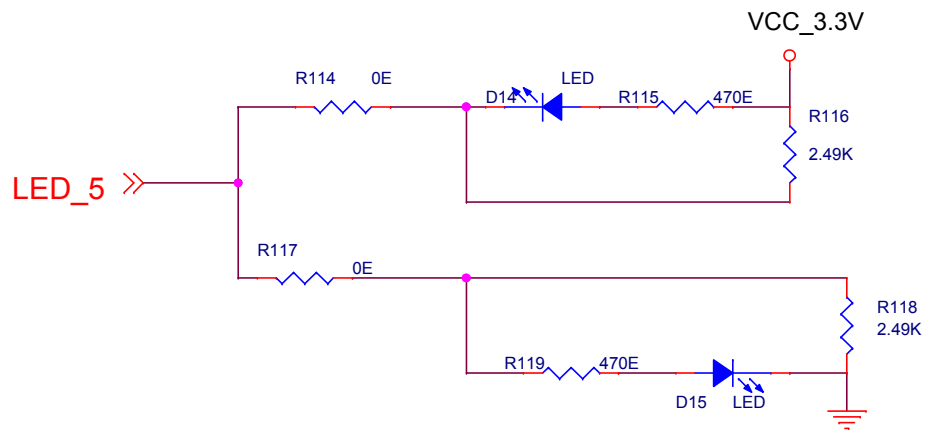
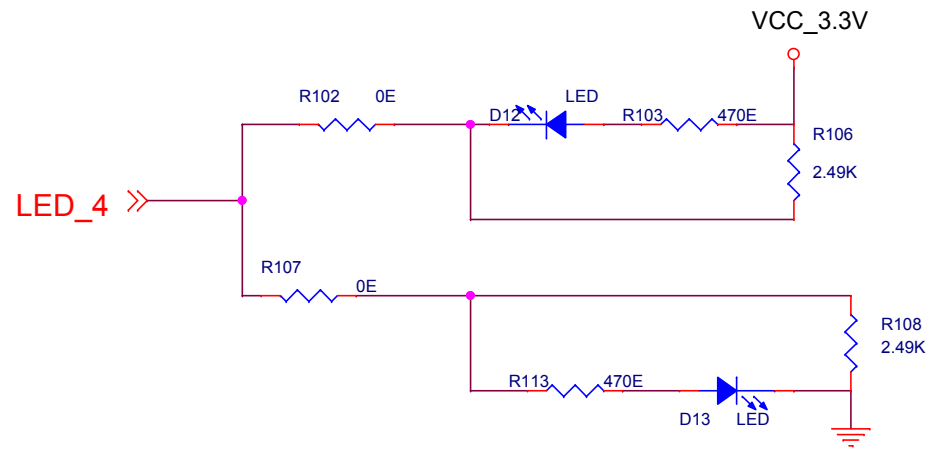
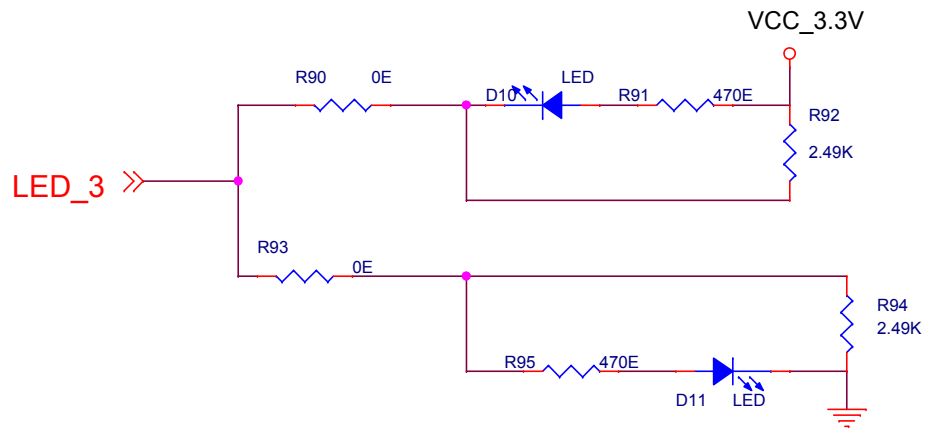


DS83869

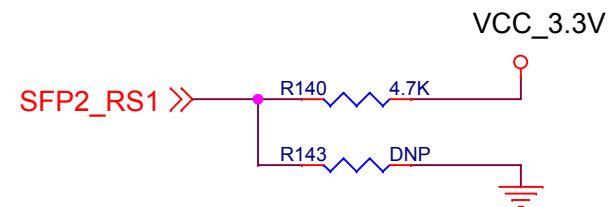
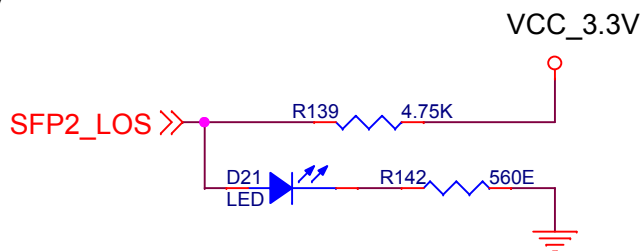
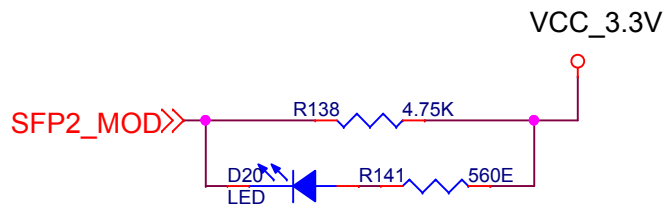
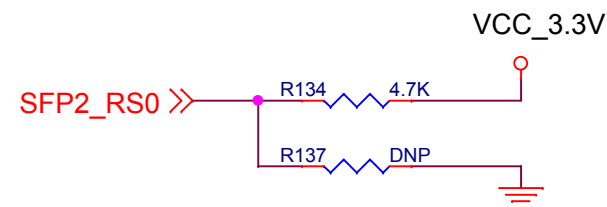
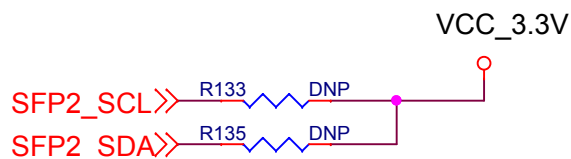
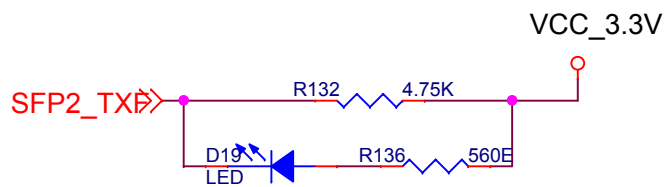
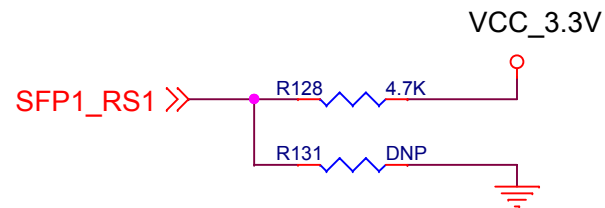
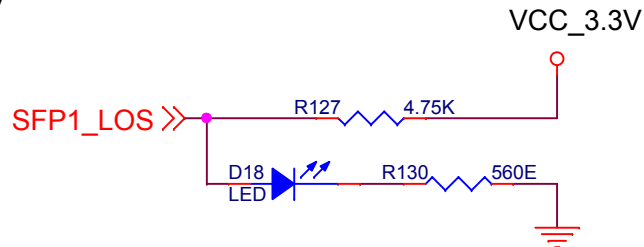
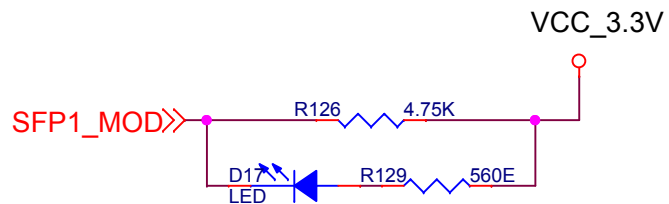
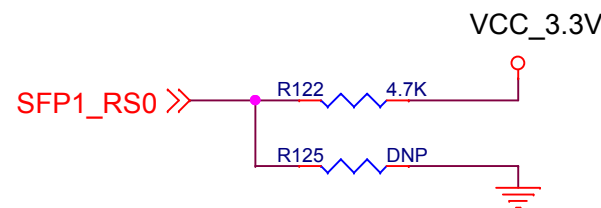
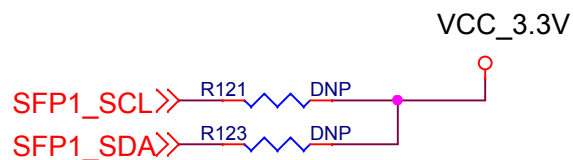
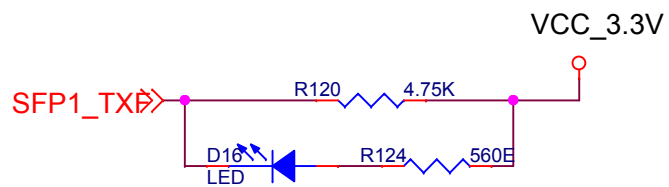
Title			<Title>
Size	Document Number	Rev	
A4	<Doc>	<Rev Cc>	
Date:	Thursday, December 26, 2024	Sheet	4 of 7



Title		
<Title>		
Size A4	Document Number <Doc>	Rev <Rev Cc>
Date:	Thursday, December 26, 2024	Sheet 5 of 7



Title		
<Title>		
Size	Document Number	Rev
A4	<Doc>	<Rev Cc
Date:	Thursday, December 26, 2024	Sheet 6 of 7



Title		
<Title>		
Size	Document Number	Rev
A	<Doc>	<RevCode>
Date:	Thursday, December 26, 2024	Sheet 7 of 7