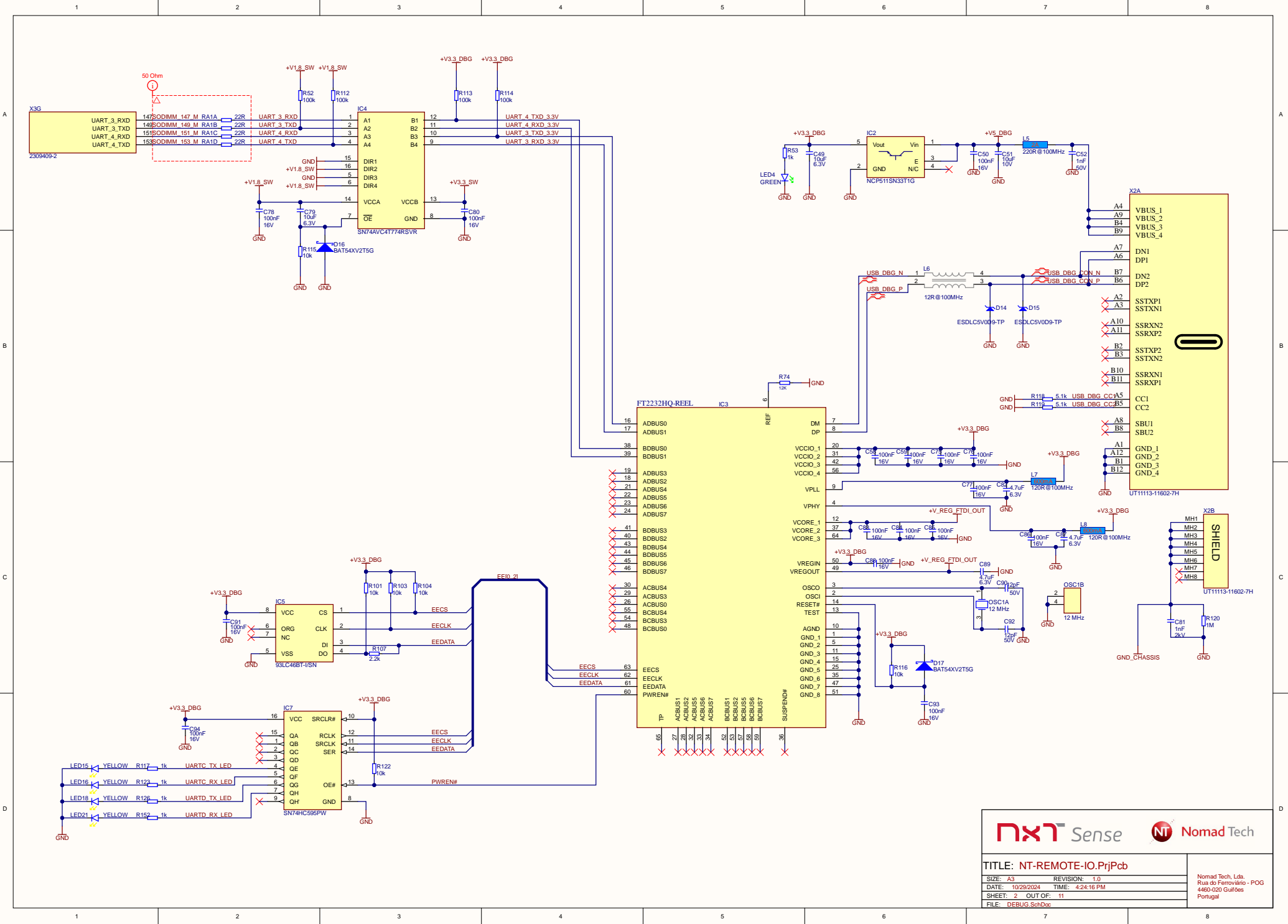
	
TITLE: NT-REMOTE-IO.PrijPcb	
SIZE: A3	REVISION: 1.0
DATE: 10/29/2024	TIME: 4:24:16 PM
SHEET: 1	OUT OF: 11
FILE: ARCHITECTURE.SchDoc	
Nomad Tech, Lda. Rua do Ferroviário - POG 4460-020 Guifões Portugal	

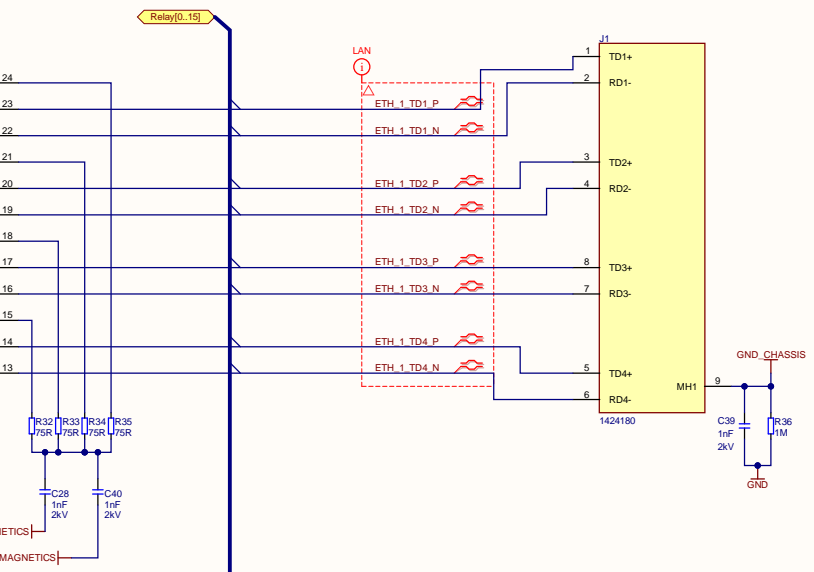
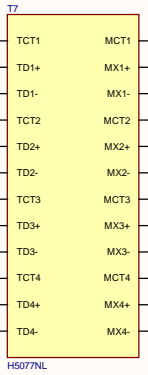
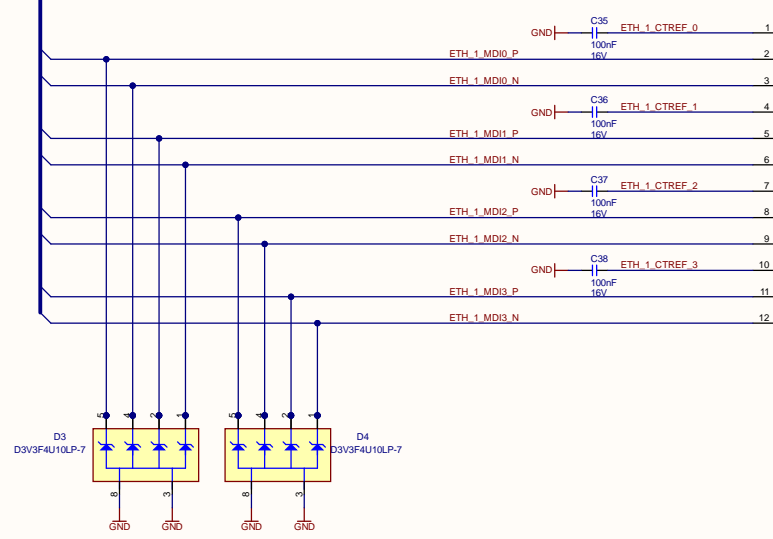
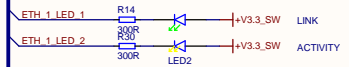


NT Sense **NT Nomad Tech**

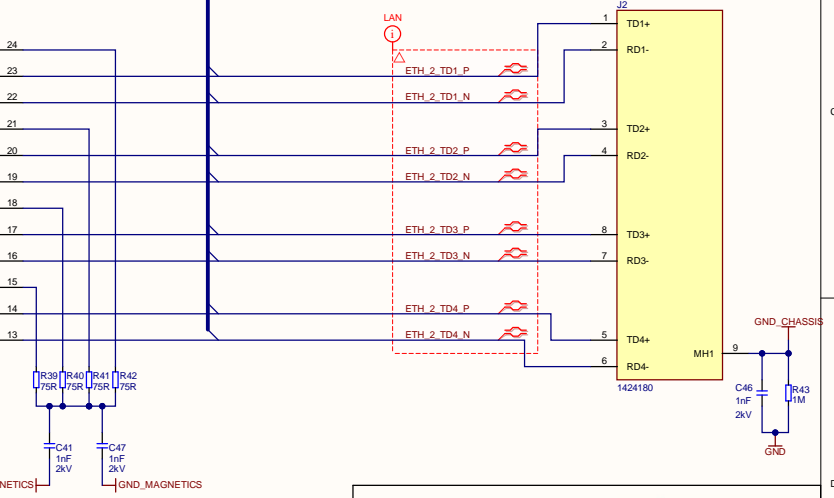
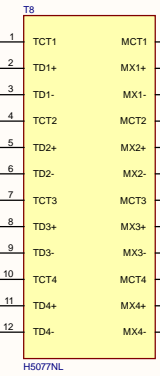
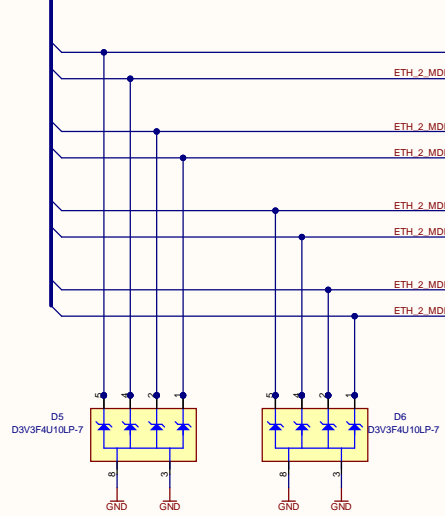
TITLE: NT-REMOTE-IO.PrjPcb

SIZE: A3	REVISION: 1.0	Nomad Tech, Lda. Rua do Ferroviário - POG 4460-020 Guimarães Portugal
DATE: 10/29/2024	TIME: 4:24:16 PM	
SHEET: 2	OUT OF: 11	
FILE: DEBUG_SchDoc		

ETH_1_MDI0_9J



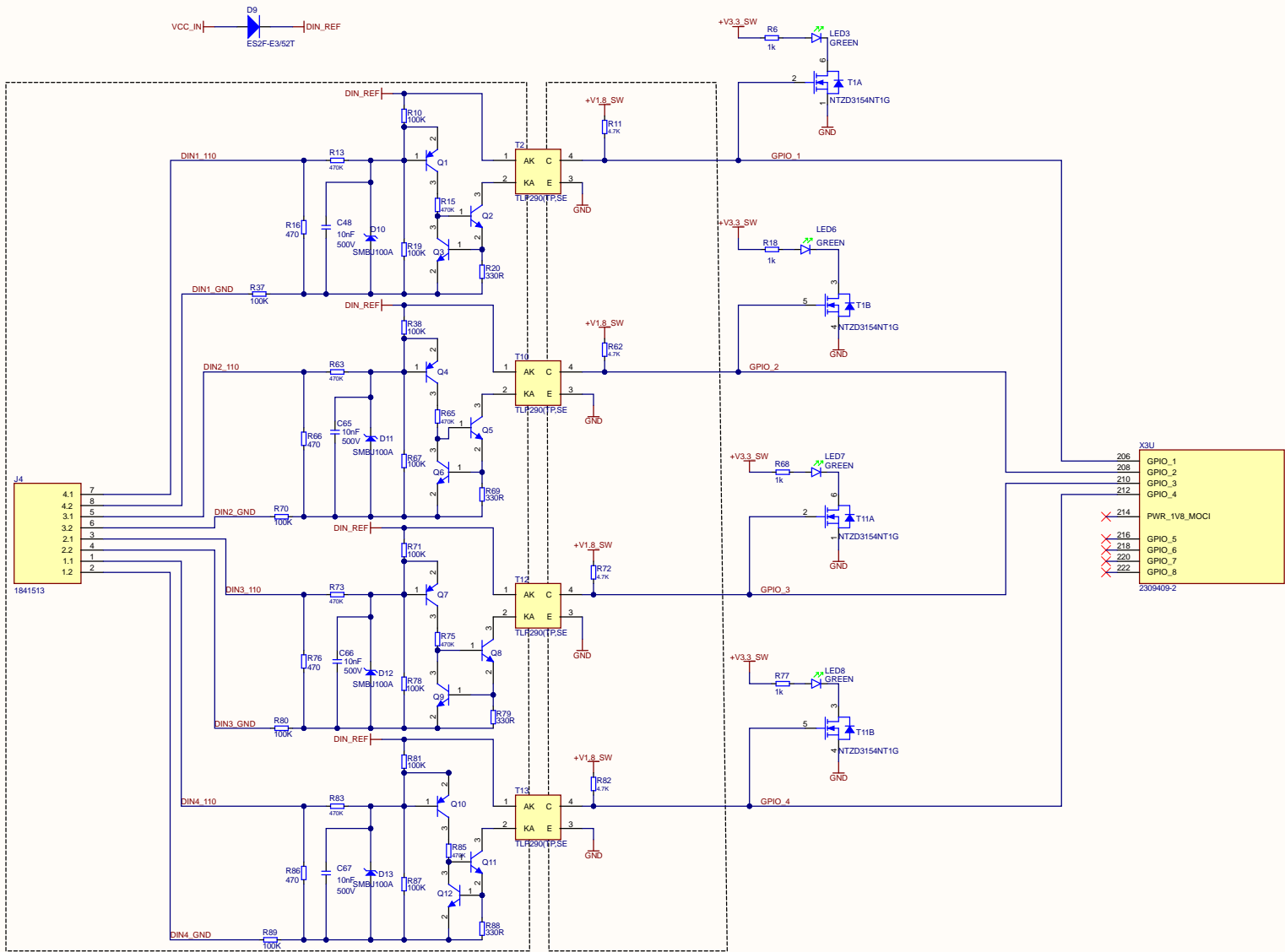
ETH_2_MDI0_9J



NXT Sense **NT NomadTech**

TITLE: NT-REMOTE-IO.PrjPcb

SIZE: A3	REVISION: 1.0	Nomad Tech, Lda. Rua do Ferroviário - POG 4460-020 Guimarães Portugal
DATE: 10/29/2024	TIME: 4:24:16 PM	
SHEET: 4	OUT OF: 11	
FILE: ETHERNET_CONNECTORS.SchDoc		



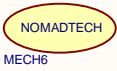
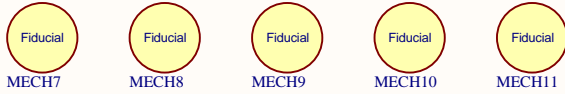
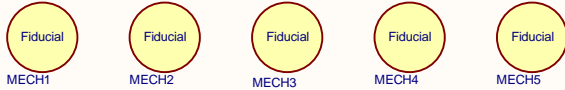
X3U	
206	GPIO_1
208	GPIO_2
210	GPIO_3
212	GPIO_4
X 214	PWR_1V8_MOCI
X 216	GPIO_5
X 218	GPIO_6
X 220	GPIO_7
X 222	GPIO_8
2309409-2	

TITLE: NT-REMOTE-IO.PrjPcb	
SIZE: A3	REVISION: 1.0
DATE: 10/29/2024	TIME: 4:24:17 PM
SHEET: 5	OUT OF: 11
FILE: IO_SchDoc	

Nomad Tech, Lda.
 Rua do Ferroviário - POG
 4460-020 Guimarães
 Portugal

1 2 3 4 5 6 7 8



A



B

C

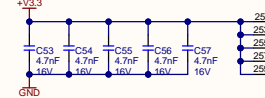
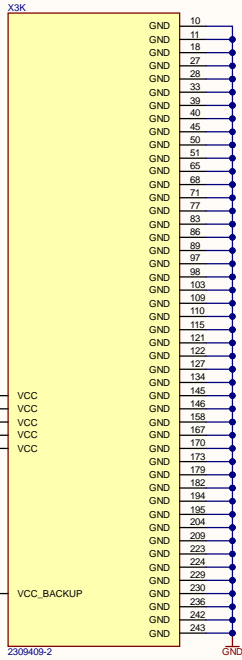
D

 	
TITLE: NT-REMOTE-IO.PrjPcb	
SIZE: A3	REVISION: 1.0
DATE: 10/29/2024	TIME: 4:24:17 PM
SHEET: 6	OUT OF: 11
FILE: MECHANICAL_SchDoc	
Nomad Tech, Lda. Rua do Ferreiroiro - POG 4460-020 Guifões Portugal	

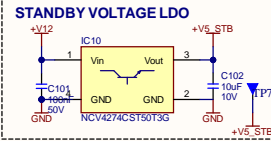
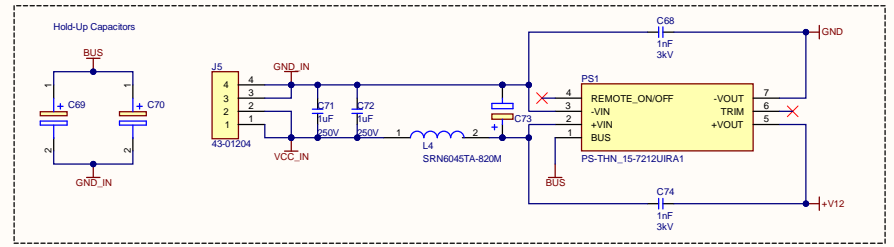
1 2 3 4 5 6 7 8

X3W	
CTRL_RECOVERY_MIC0#	246 SODIMM 246 M R44 22R CTRL_RECOVERY_MIC0#
CTRL_PWR_BTN_MIC0#	248 SODIMM 248 M R45 22R CTRL_PWR_BTN_MIC0#
CTRL_FORCE_OFF_MIC0#	250 SODIMM 250 M R46 22R CTRL_FORCE_OFF_MIC0#
CTRL_WAKE1_MIC0#	252 SODIMM 252 M R47 22R CTRL_WAKE1_MIC0#
CTRL_WAKE1_MIC0#	254 SODIMM 254 M R48 22R CTRL_RECOVERY_MIC0#
CTRL_PWR_EN_MIC0#	256 SODIMM 256 M R49 22R CTRL_SLEEP_MIC0#
CTRL_SLEEP_MIC0#	258 SODIMM 258 M R50 22R CTRL_RESET_MIC0#
CTRL_RESET_MIC0#	260 SODIMM 260 M R51 22R CTRL_RESET_MIC0#

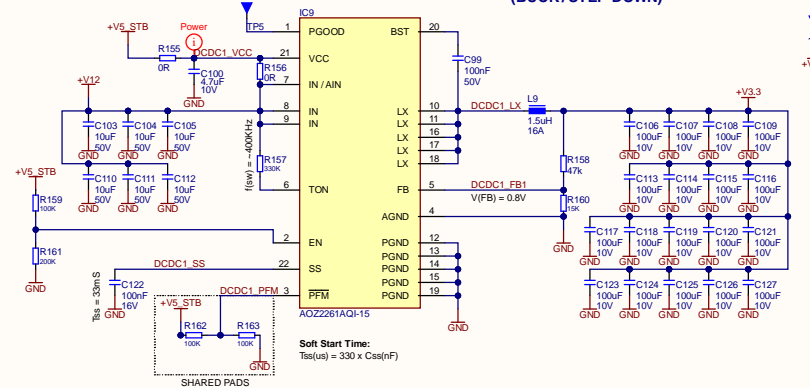
2309409-2



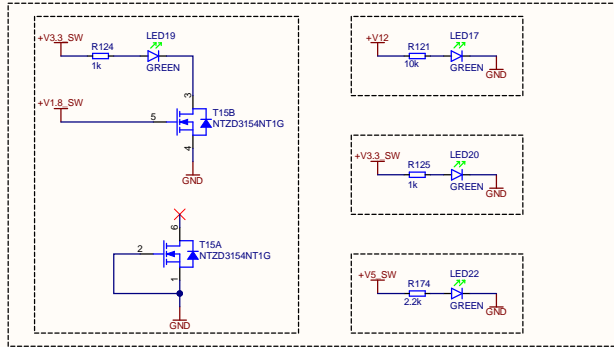
POWER INPUT



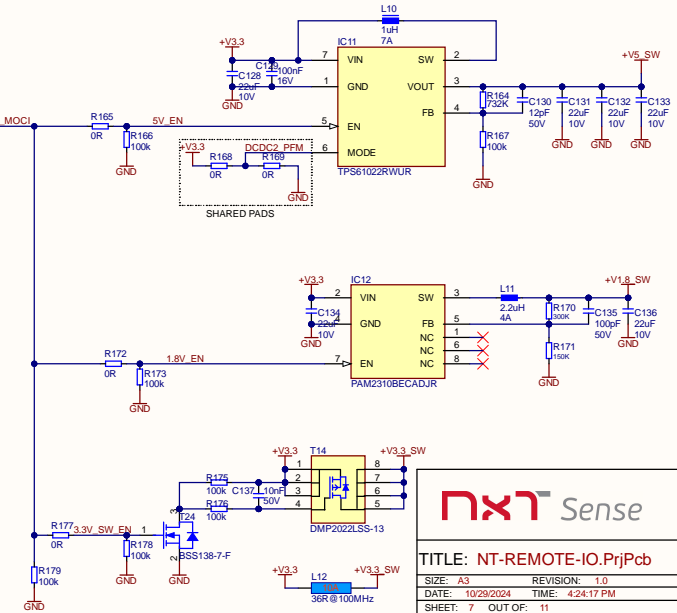
POWER SUPPLY REGULATORS (BUCK / STEP-DOWN)



POWER SUPPLY INDICATION



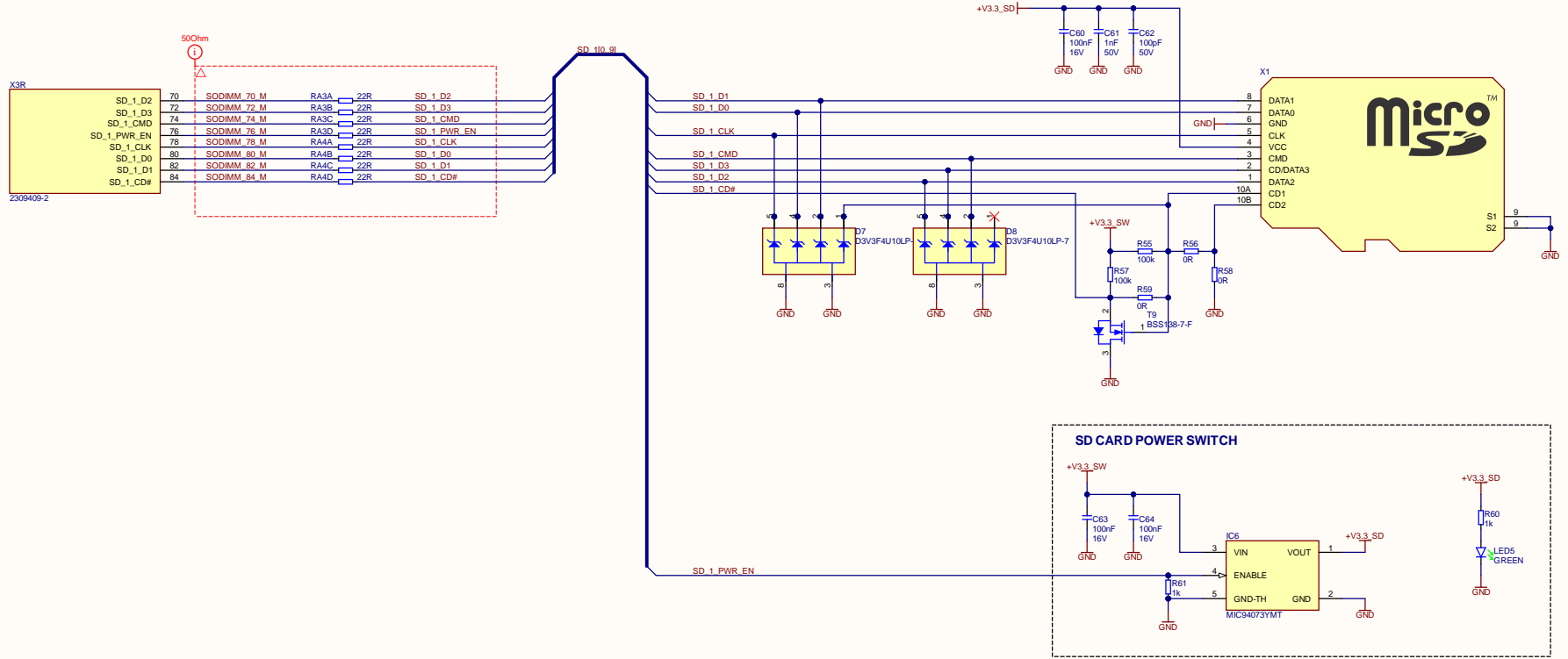
CTRL_PWR_EN_MIC0#

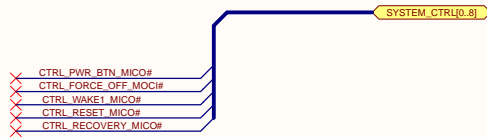
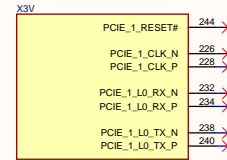
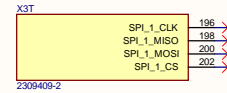
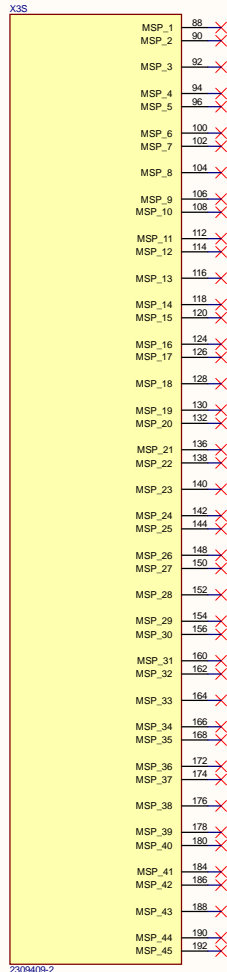
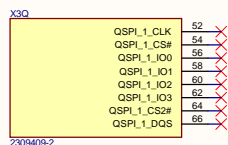
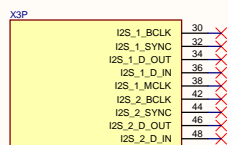
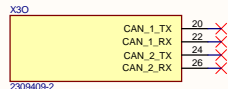
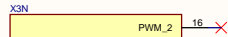
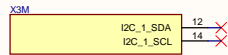
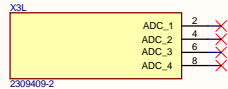
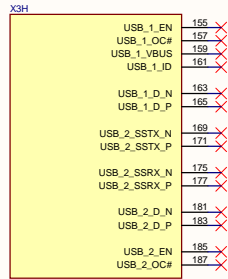
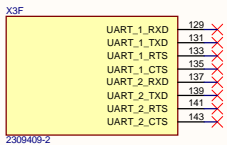
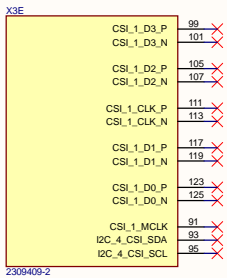
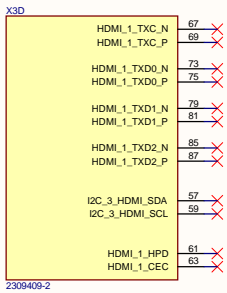
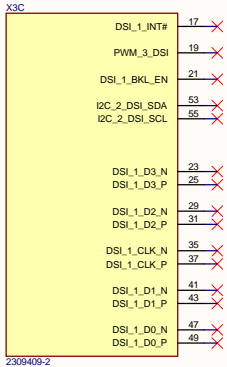



NT Sense **NT Nomad Tech**


TITLE: NT-REMOTE-IO.PrjPcb

SIZE: A3	REVISION: 1.0	Nomad Tech, Lda. Rua do Ferroviário - POG 4460-020 Guimarães Portugal
DATE: 10/29/2024	TIME: 4:24:17 PM	
SHEET: 7	OUT OF: 11	
FILE: POWER_SchDoc		

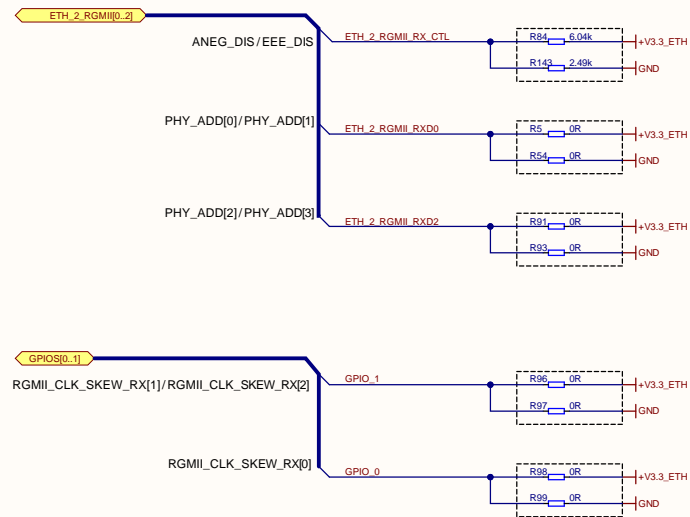
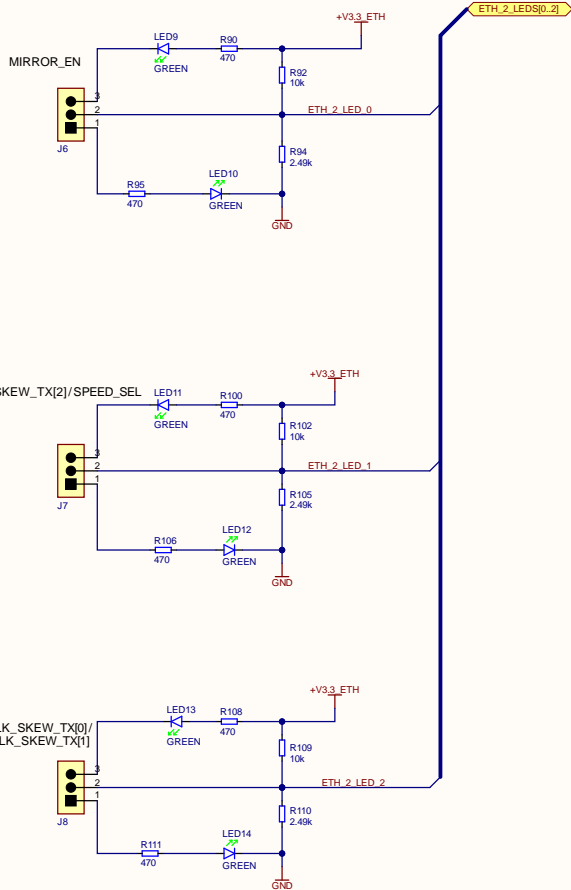








TITLE: NT-REMOTE-IO.PrjPcb		Nomad Tech, Lda. Rua do Ferrolário - POG 4460-020 Guimarães Portugal
SIZE: A3	REVISION: 1.0	
DATE: 10/29/2024	TIME: 4:24:18 PM	
SHEET: 9	OUT OF: 11	
FILE: UNUSED_SchDoc		



IMPORTANT!!

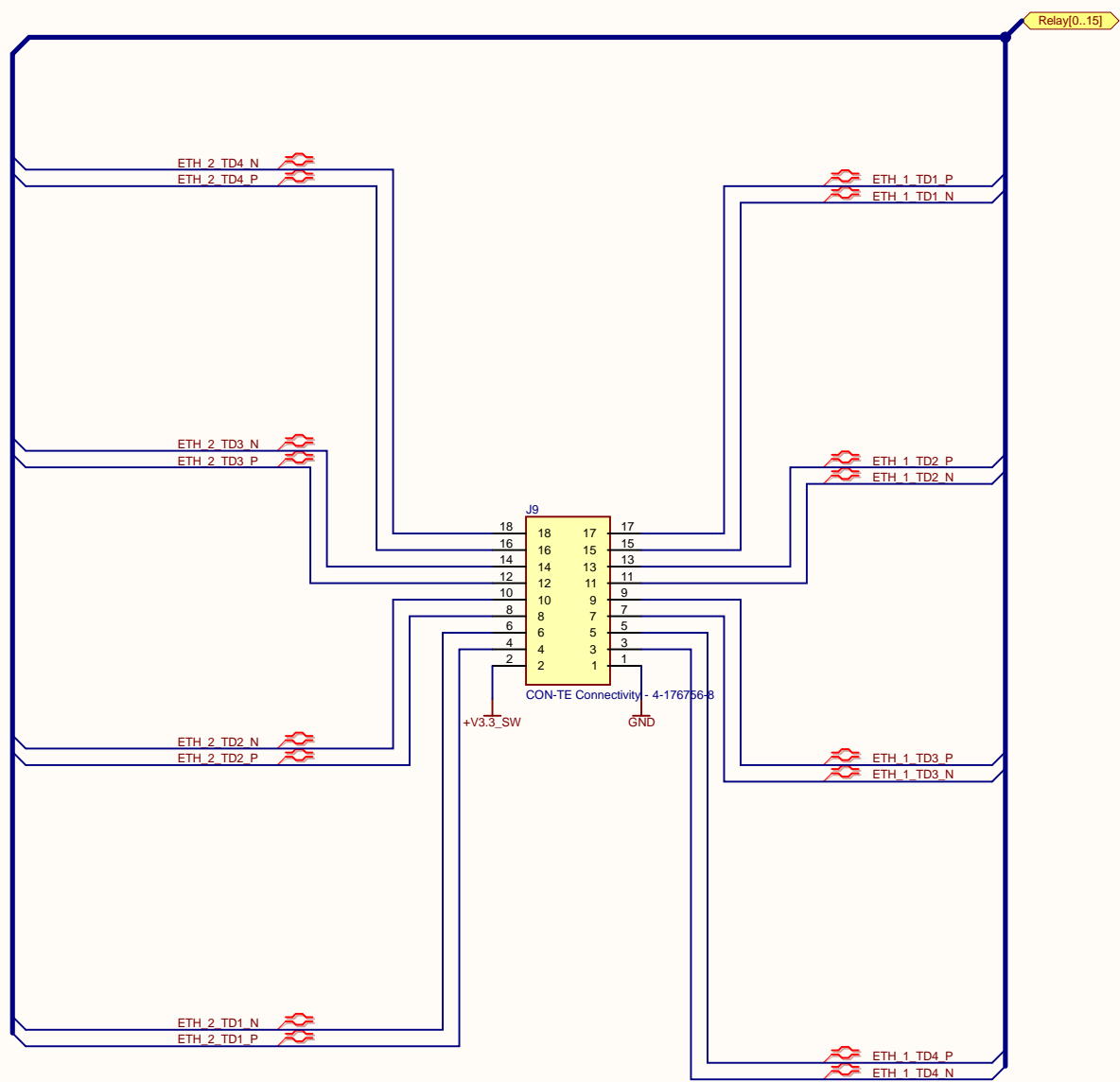
Connect pins 1 and 2 for Modes 1, 2 and 3
 Connect pins 2 and 3 for Mode 4
 Resistor Values must be changed to change Modes, refer to datasheet for proper values
 See datasheet pages 51 to 57.



MODE	TARGET VOLTAGE			IDEAL R _{hi} (kΩ)	IDEAL R _{lo} (kΩ)
	V _{min} (V)	V _{typ} (V)	V _{max} (V)		
1	0	0	0.098 × VDDIO	OPEN	OPEN
2	0.140 × VDDIO	0.165 × VDDIO	0.191 × VDDIO	10	2.49
3	0.225 × VDDIO	0.255 × VDDIO	0.284 × VDDIO	5.76	2.49
4	0.694 × VDDIO	0.783 × VDDIO	0.888 × VDDIO	2.49	OPEN

TITLE: NT-REMOTE-IO.PrjPcb

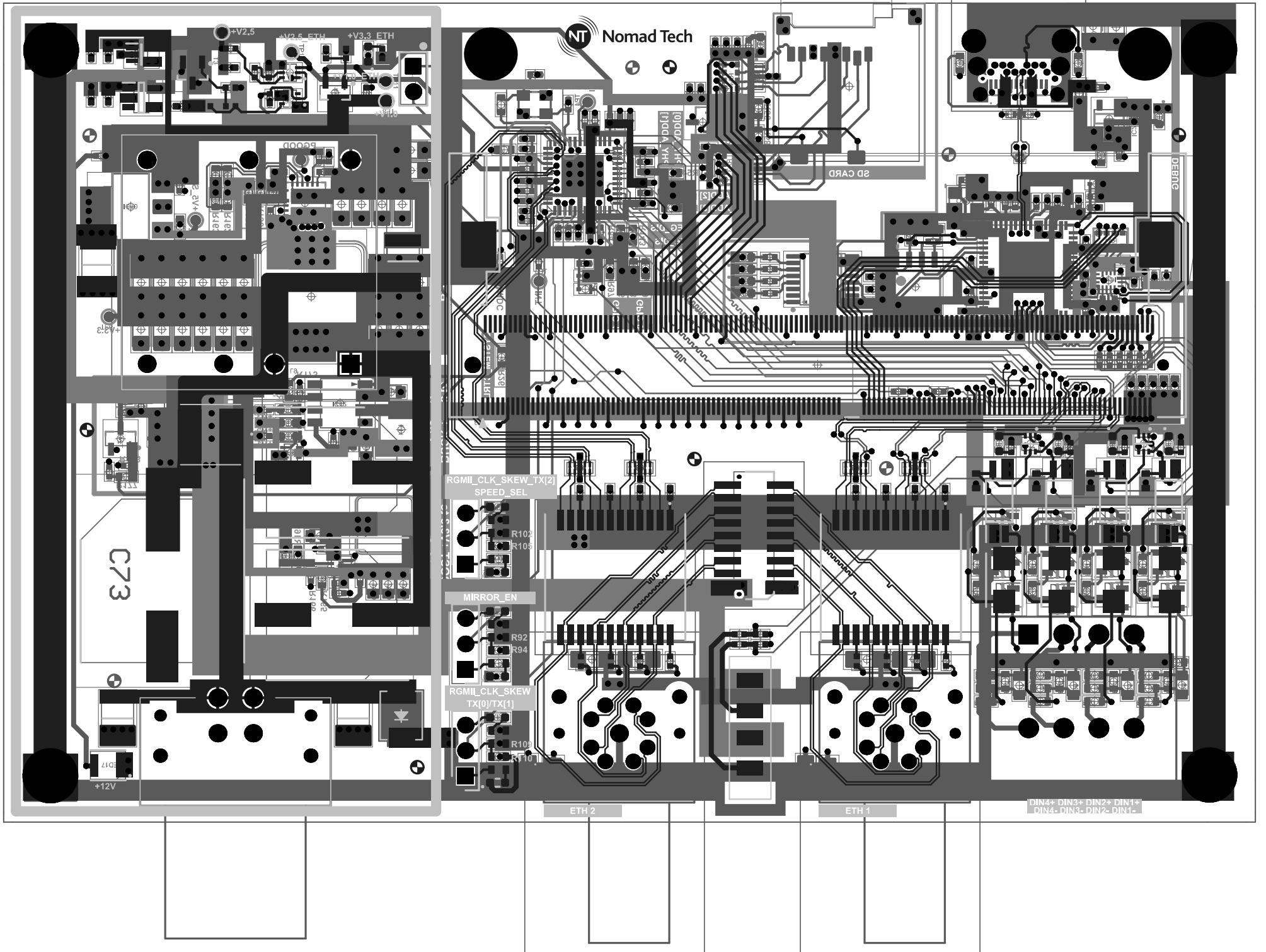
SIZE: A3	REVISION: 1.0	Nomad Tech, Lda. Rua do Ferroviário - POG 4460-020 Guimarães Portugal
DATE: 10/29/2024	TIME: 4:24:18 PM	
SHEET: 10	OUT OF: 11	

FILE: STRAPS.SchDoc



TITLE: NT-REMOTE-IO.PrjPcb		Nomad Tech, Lda. Rua do Ferroviário - POG 4460-020 Guifões Portugal
SIZE: A3	REVISION: 1.0	
DATE: 10/29/2024	TIME: 4:24:18 PM	
SHEET: 11	OUT OF: 11	
FILE: ETH-RELAY.SchDoc		



NT Nomad Tech

C73

RGMI CLK_SKEW_TX[2]
SPEED_SEL

MIRROR_EN

RGMI CLK_SKEW
TX[0]/TX[1]

ETH 2

ETH 1

DIN4+ DIN3+ DIN2+ DIN1+
DIN4- DIN3- DIN2- DIN1-

DEBUG

SD CARD

+V2.5

+V2.5

+V2.5 ETH

+V3.3 ETH

+12V

41G

