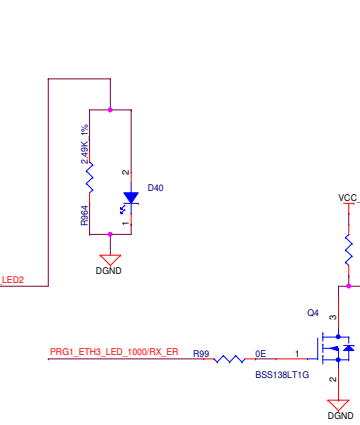
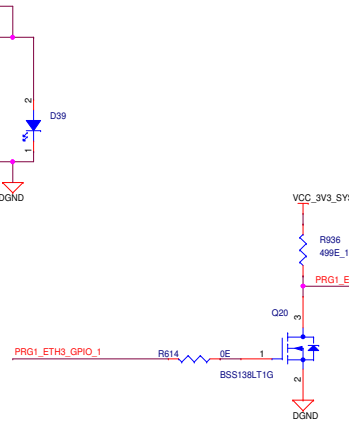
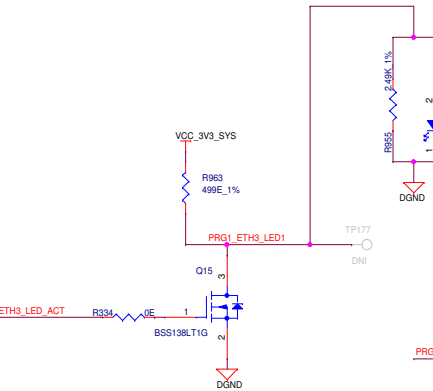
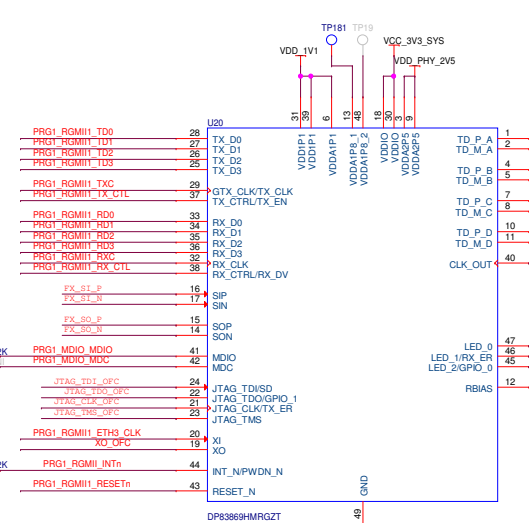


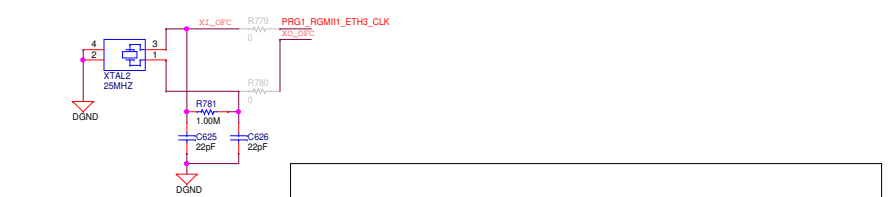
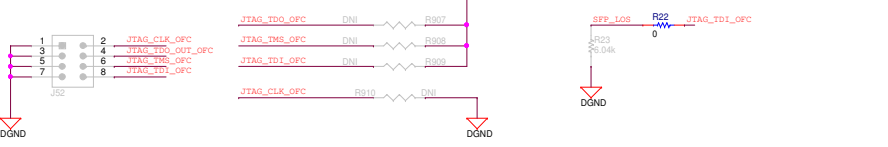
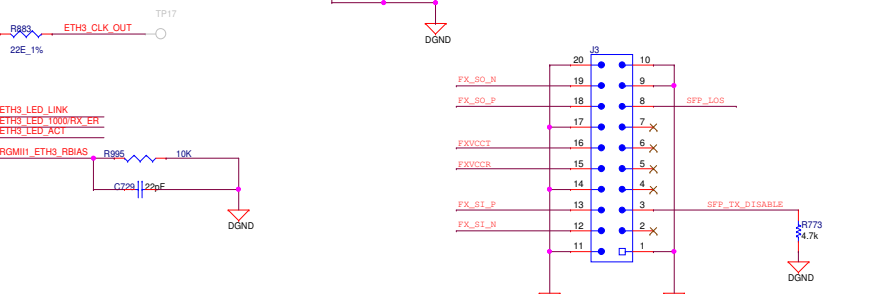
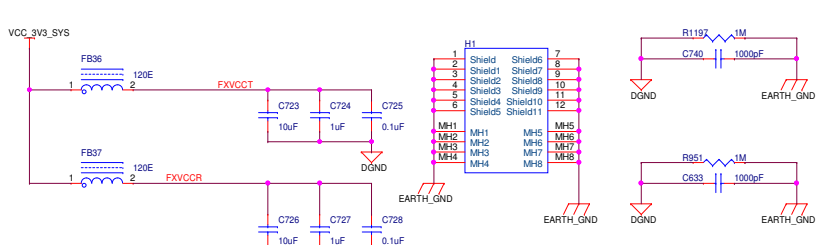
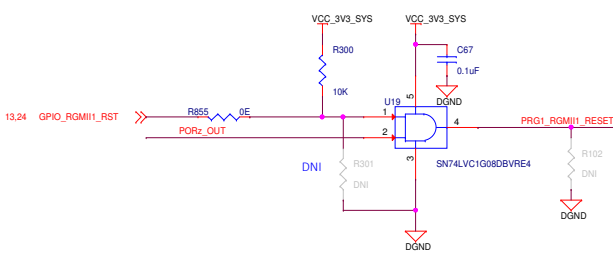
PHY ADDRESS = 01111  
 Auto-negotiation (10/100/1000 advertised Auto-MDI-X  
 RGMII to Copper (1000BaseT/100Base-TX/10Base-Te)



### OFC



### PRG1 ETH2 RESET



### Off Page Connections

<b>To Processor</b>	12,25	PRG1_RGMII_INTn	PRG1_RGMII_INTn
	20	PRG1_RGMII_RD0	PRG1_RGMII_RD0
	20	PRG1_RGMII_RD1	PRG1_RGMII_RD1
	20	PRG1_RGMII_RD2	PRG1_RGMII_RD2
	20	PRG1_RGMII_RD3	PRG1_RGMII_RD3
	20	PRG1_RGMII_RXC	PRG1_RGMII_RXC
	20	PRG1_RGMII_RX_CTL	PRG1_RGMII_RX_CTL
	12,14,25,29,31	PORz_OUT	PORz_OUT
<b>From Processor</b>	20	PRG1_RGMII_TD0	PRG1_RGMII_TD0
	20	PRG1_RGMII_TD1	PRG1_RGMII_TD1
	20	PRG1_RGMII_TD2	PRG1_RGMII_TD2
	20	PRG1_RGMII_TD3	PRG1_RGMII_TD3
	20	PRG1_RGMII_TXC	PRG1_RGMII_TXC
	20	PRG1_RGMII_TX_CTL	PRG1_RGMII_TX_CTL
<b>From Processor</b>	12,20	PRG1_MDIO_MDIO	PRG1_MDIO_MDIO
	12,20	PRG1_MDIO_MDC	PRG1_MDIO_MDC
<b>From IO Expander</b>	13,24	GPIO_RGMII_RST	GPIO_RGMII_RST
<b>From Clock Buffer</b>	23	PRG1_RGMII_ETH3_CLK	PRG1_RGMII_ETH3_CLK

(MDC & MDIO pins are common to both IC390 PHY, This to be verified)