

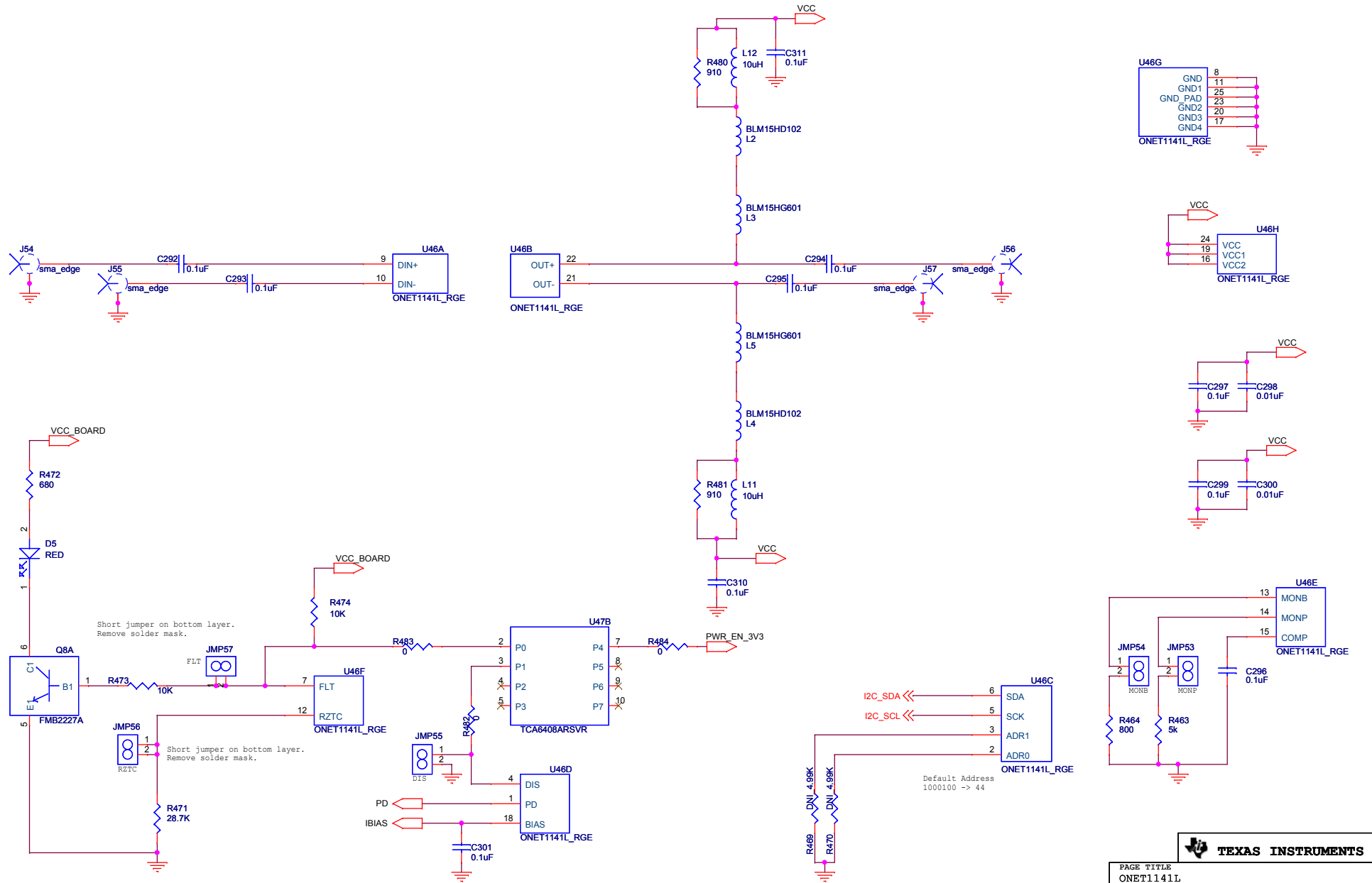
TEXAS INSTRUMENTS

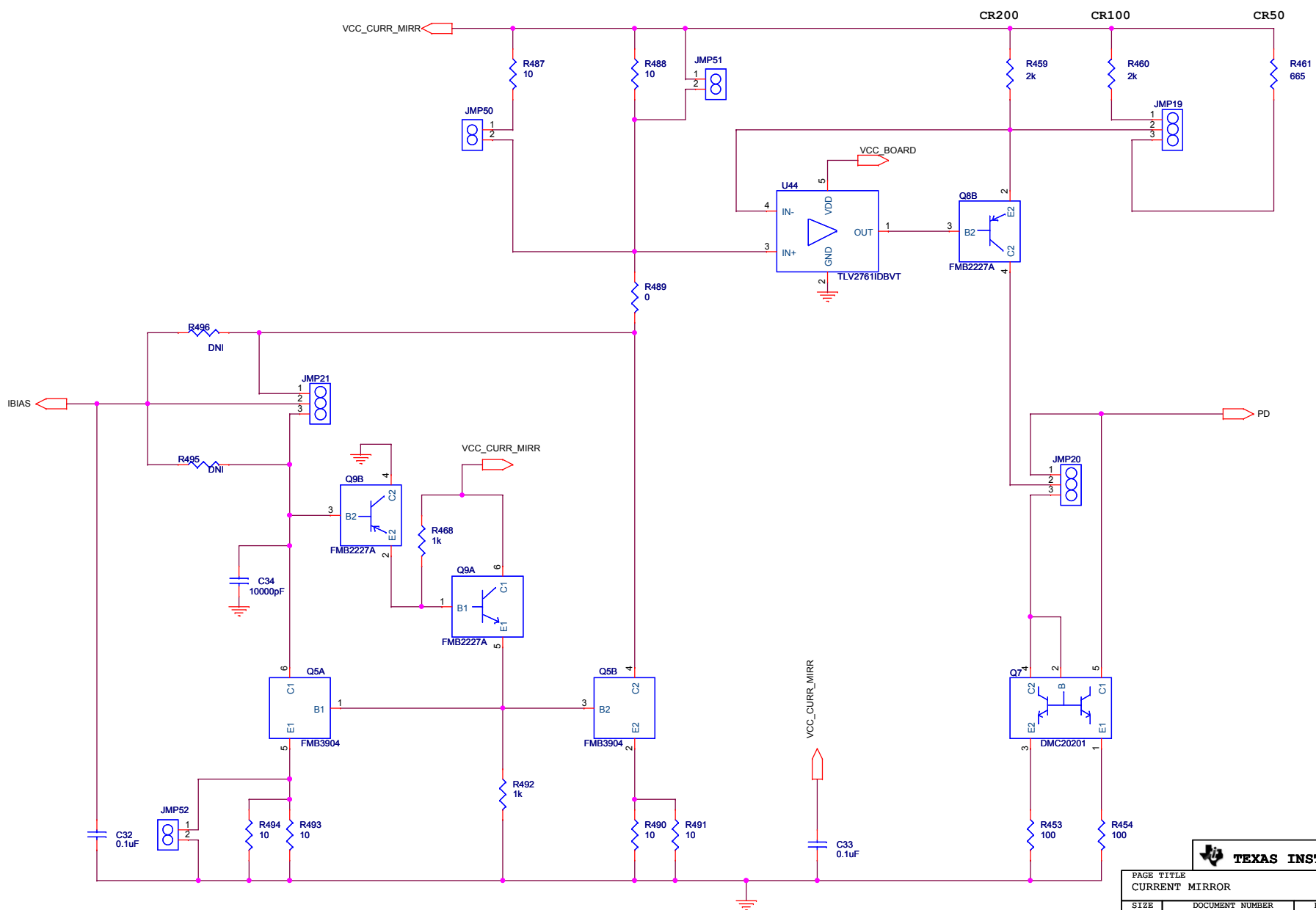
SCHEMATIC TITLE
ONET1141L HF Electrical

ENGINEER	DATE
M. GARCIA	01/07/2011
LAYOUT	DATE
<OrgAddr2>	<Date1>
RELEASED	DATE
<OrgAddr3>	<Date2>

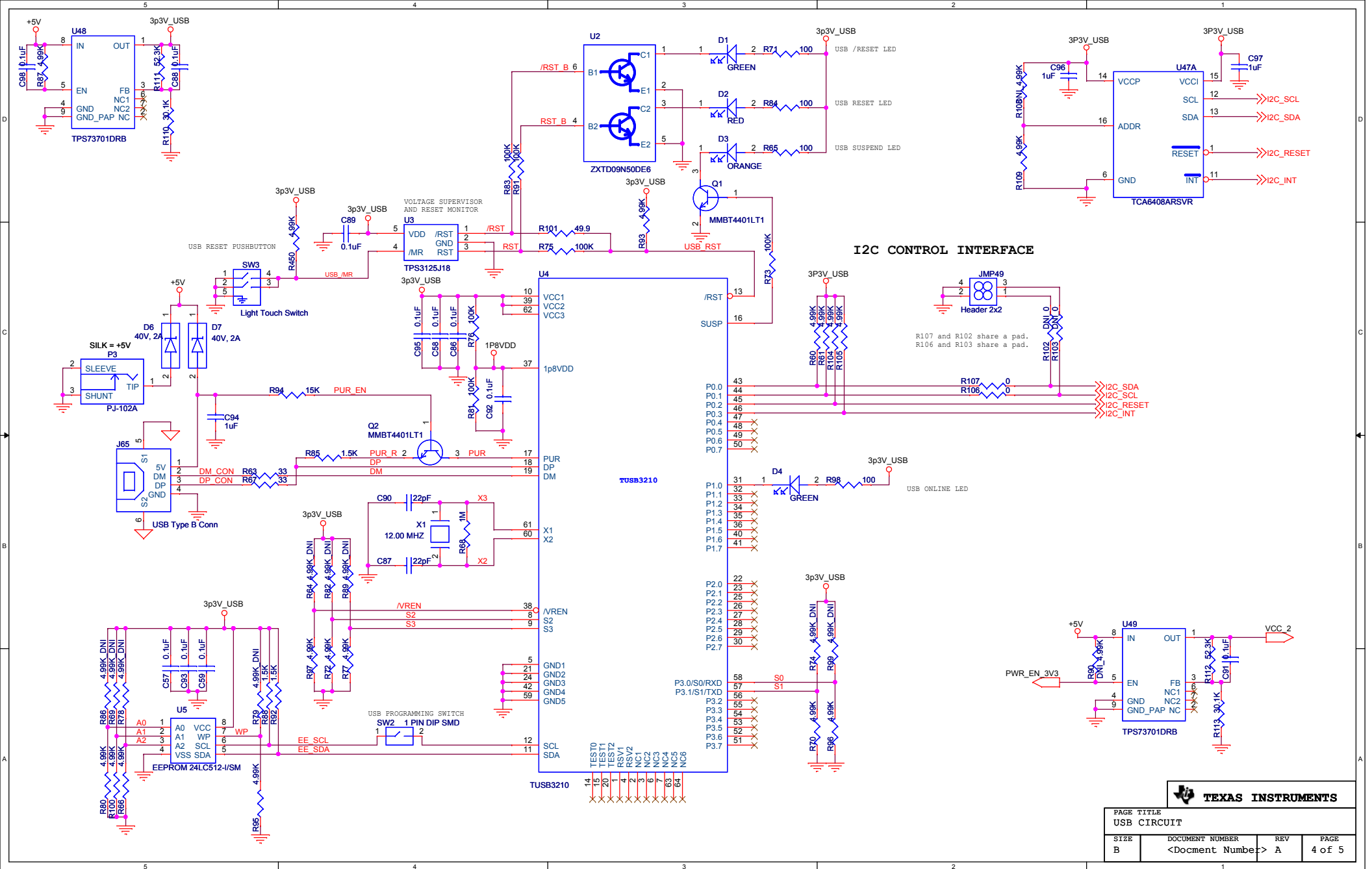
PAGE TITLE
POWER SUPPLY DISTRIBUTION

Size	Document Number	Rev	Sheet
B	<Doc>	A	1 of 5

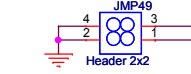




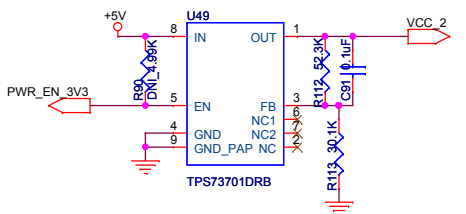
PAGE TITLE			
CURRENT MIRROR			
SIZE	DOCUMENT NUMBER	REV	PAGE
B	<Document Number>	A	3 of 5



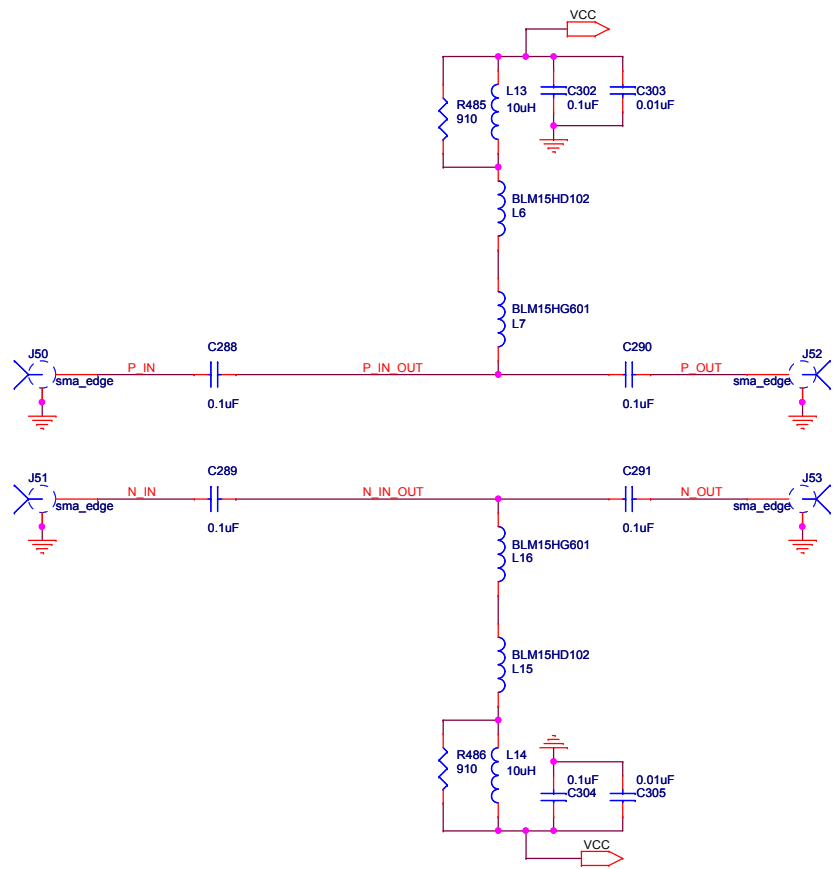
I2C CONTROL INTERFACE



R107 and R102 share a pad.
R106 and R103 share a pad.



Calibration Line Top



Calibration Line Bottom

