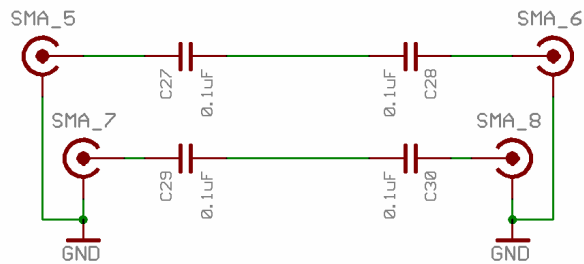
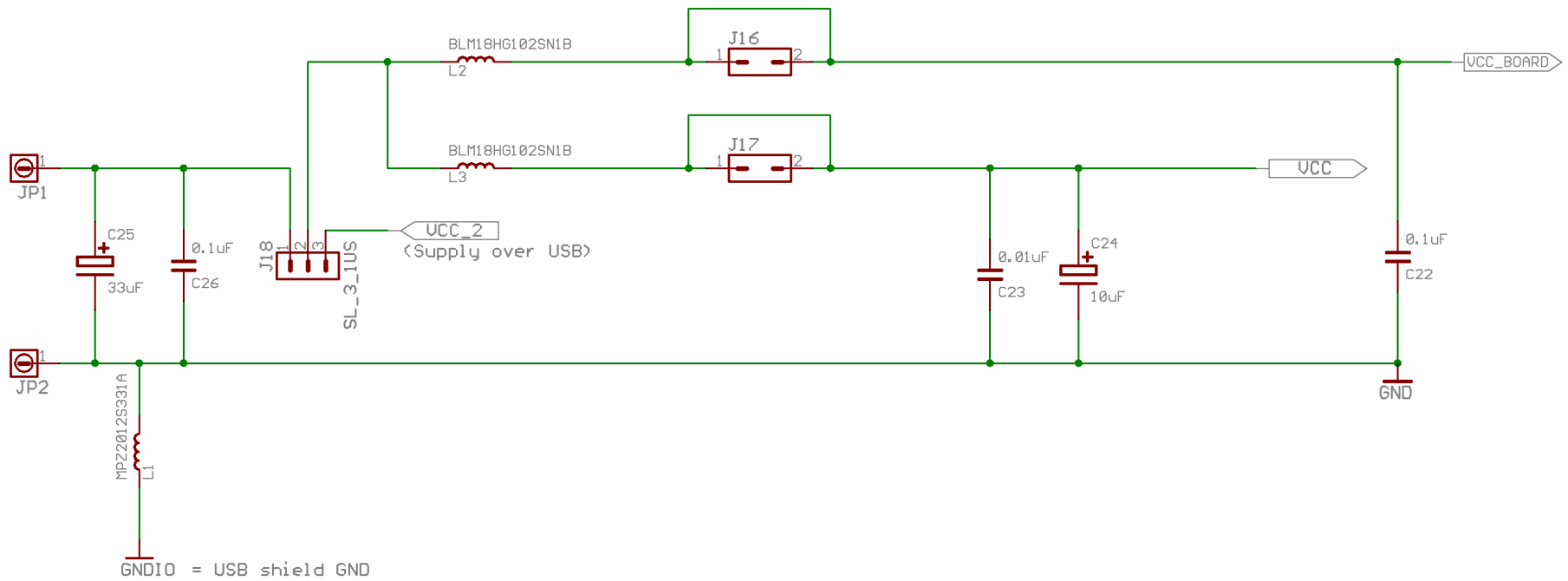
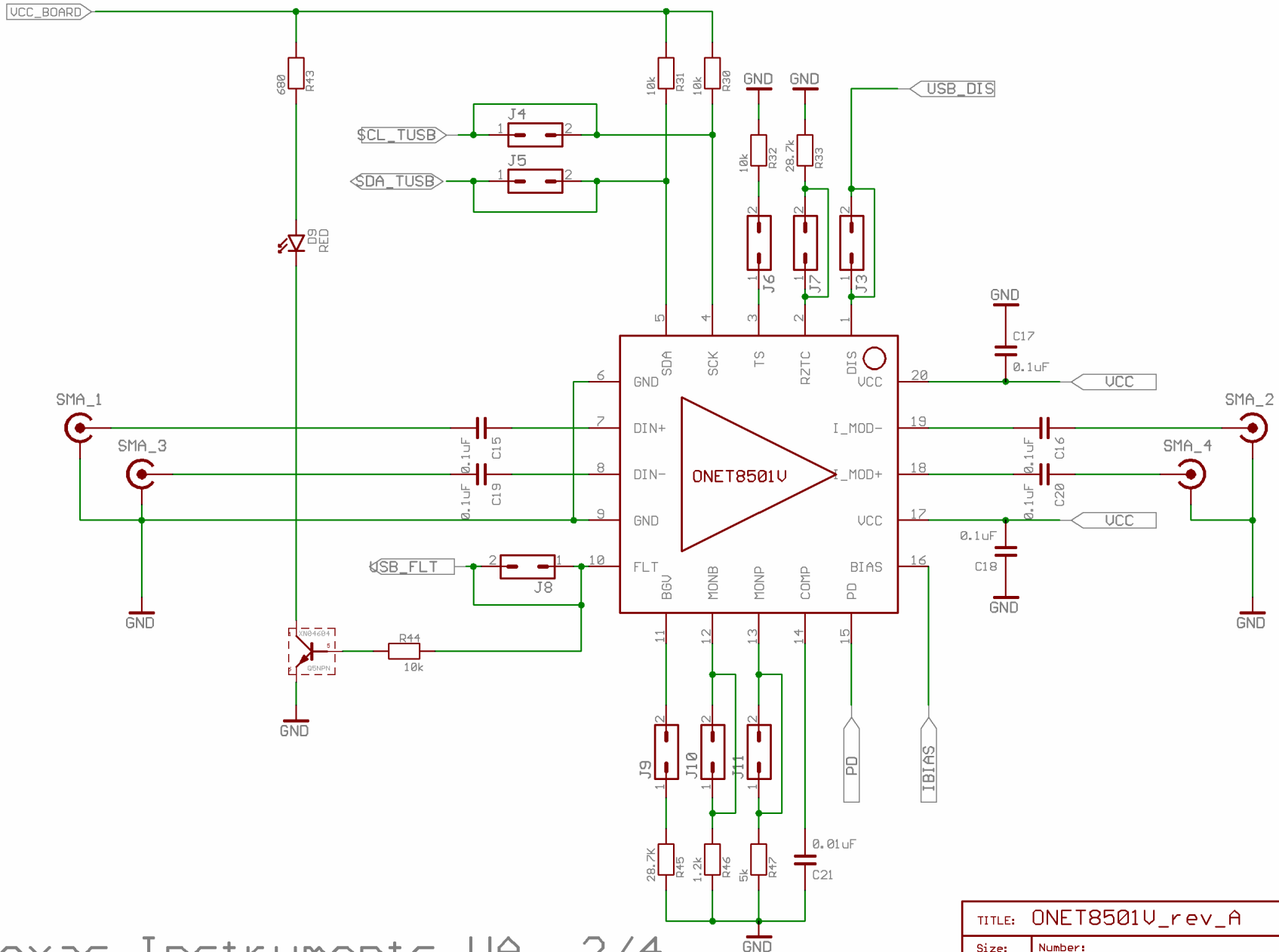


Texas Instruments VA 1/4



TITLE: ONET8501V_rev_A		
Size:	Number:	REV: A
Date: 12/18/2006 12:03:05p	Drawn by: C. Lehne	Sheet: 1/4
Filename: ONET8501V_rev_A	Checked by:	Date:

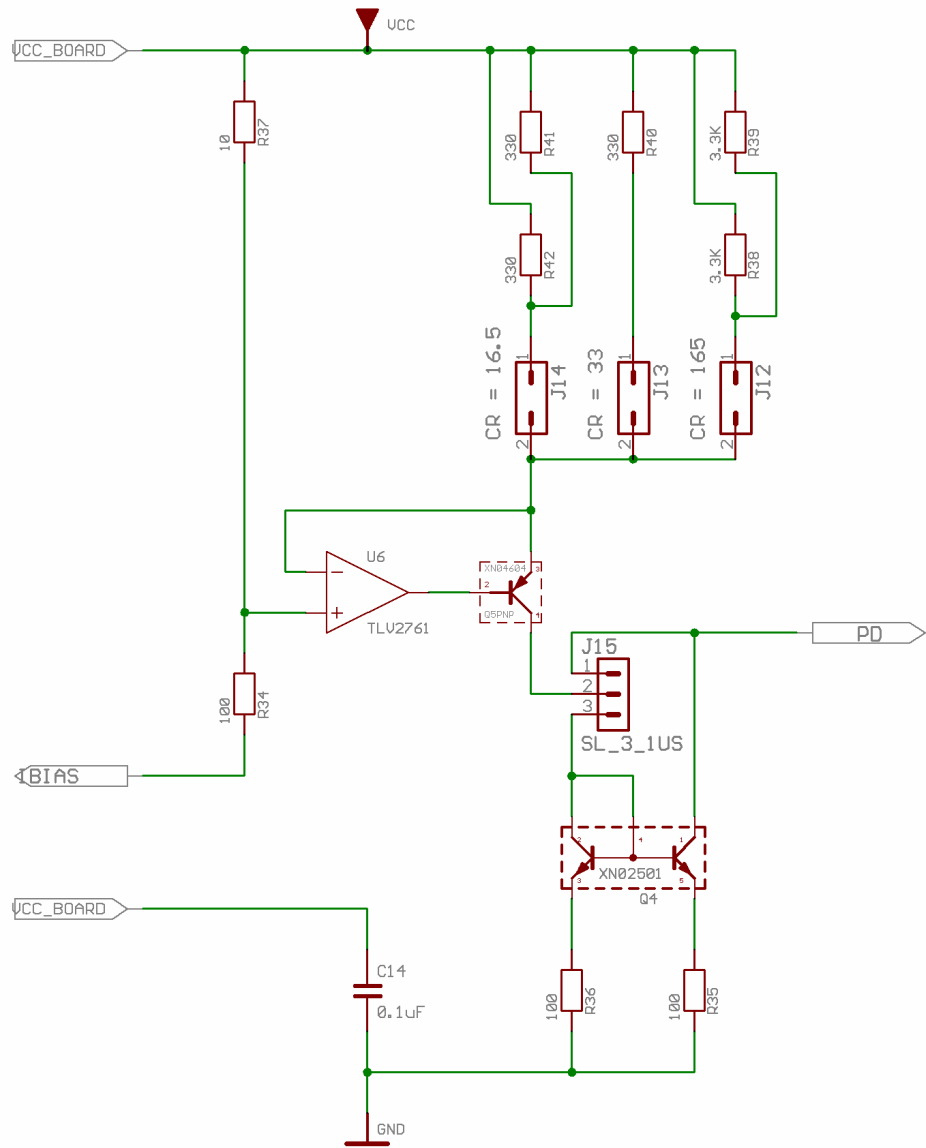
Printed documents are not under control. Verify revision before using.



Texas Instruments VA 2/4

Printed documents are not under control. Verify revision before using.

TITLE: ONET8501U_rev_A		
Size:	Number:	REV: A
Date: 12/18/2006 12:03:05p	Drawn by: C. Lehne	Sheet: 2/4
Filename: ONET8501U_rev_A	Checked by:	Date:

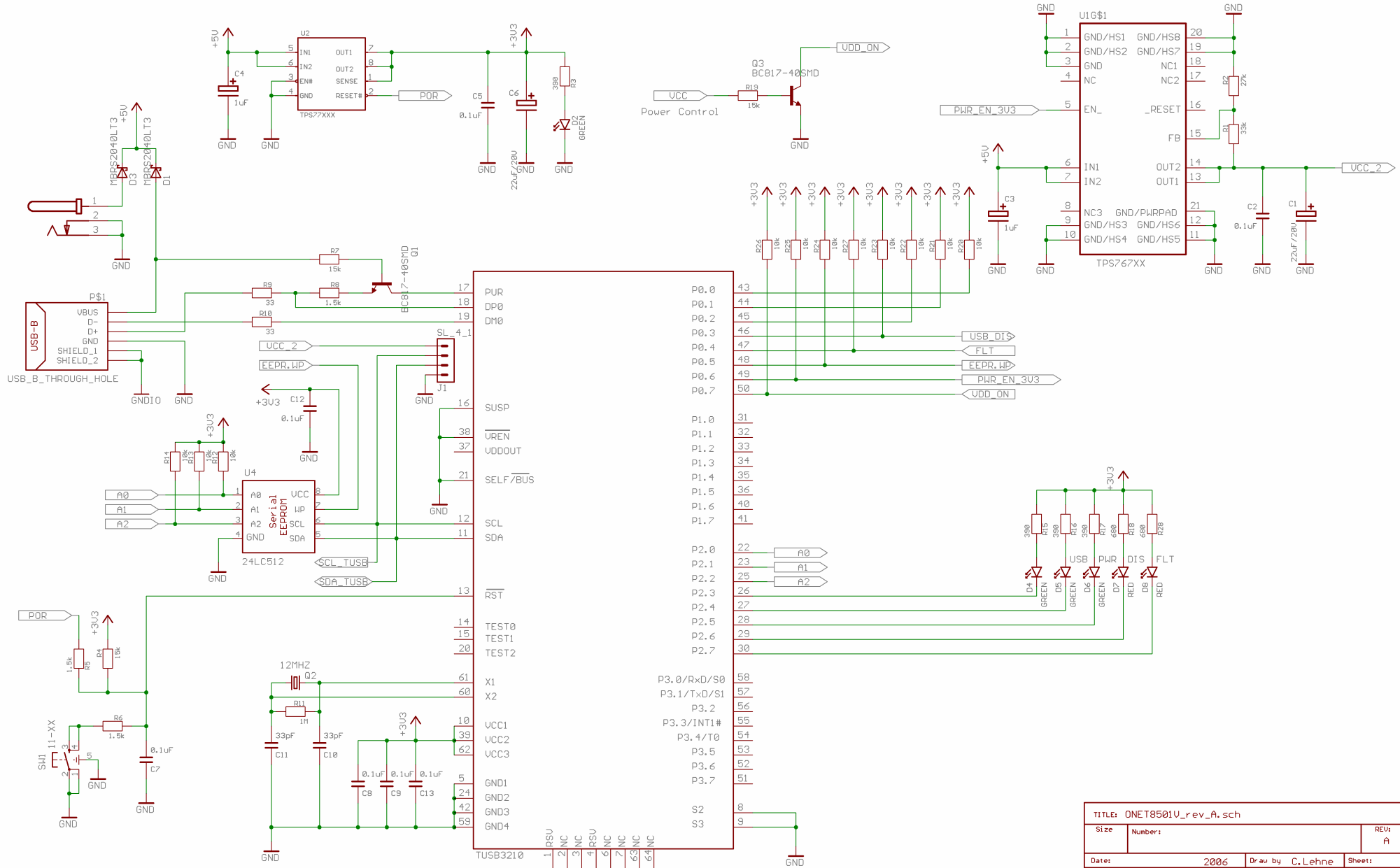


Texas Instruments VA 3/4

Printed documents are not under control. Verify revision before using.

TITLE: ONET8501V_rev_A		
Size:	Number:	REV: A
Date: 12/18/2006 12:03:05p	Drawn by: C. Lehne	Sheet: 3/4
Filename: ONET8501V_rev_A	Checked by:	Date:

Texas Instruments VA 4/4



TITLE: ONET8501U_rev_A.sch		
Size	Number:	REV: A
Date:	2006	Draw by C.Lehne
Filename	ONET8501U_rev_A	Checked
		Date: