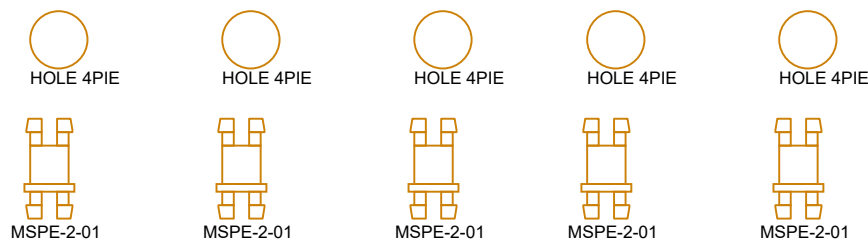
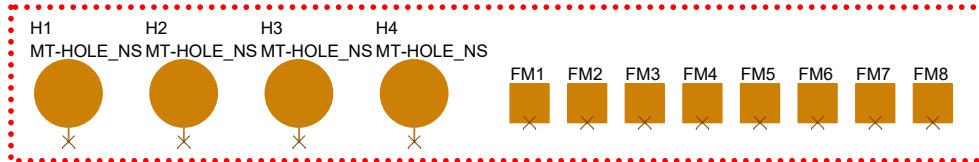
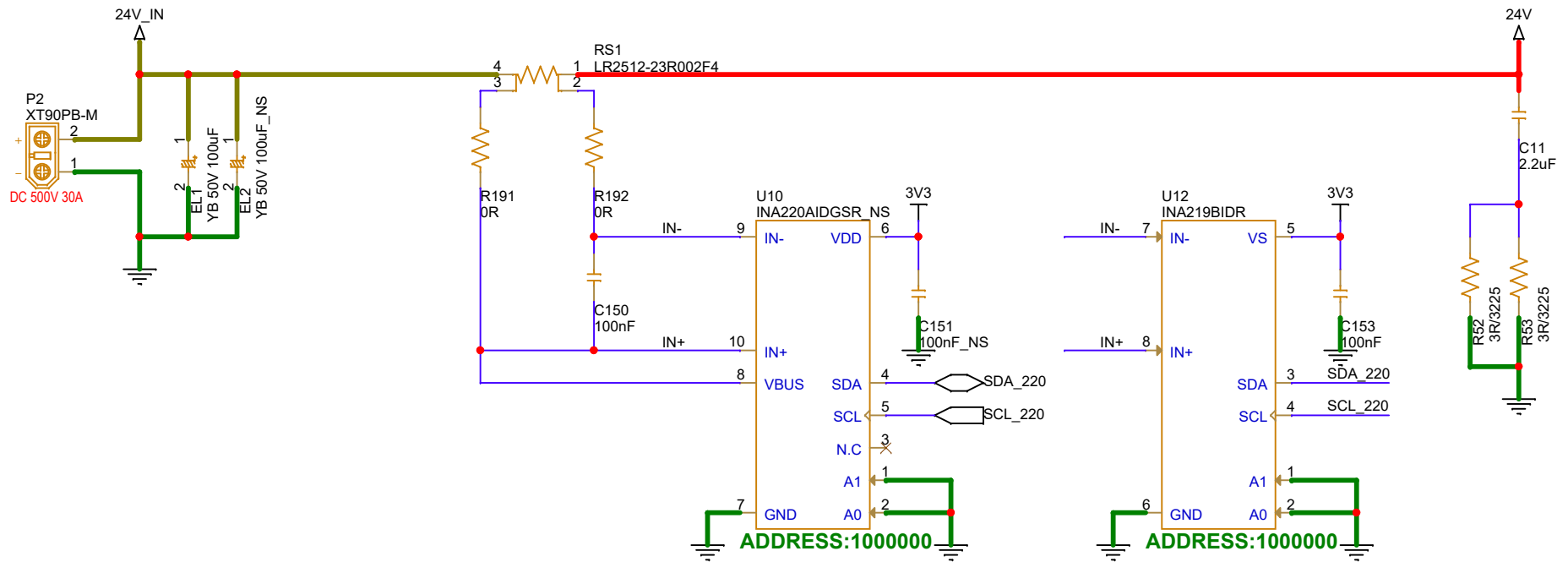


FOR GUIDE BAR

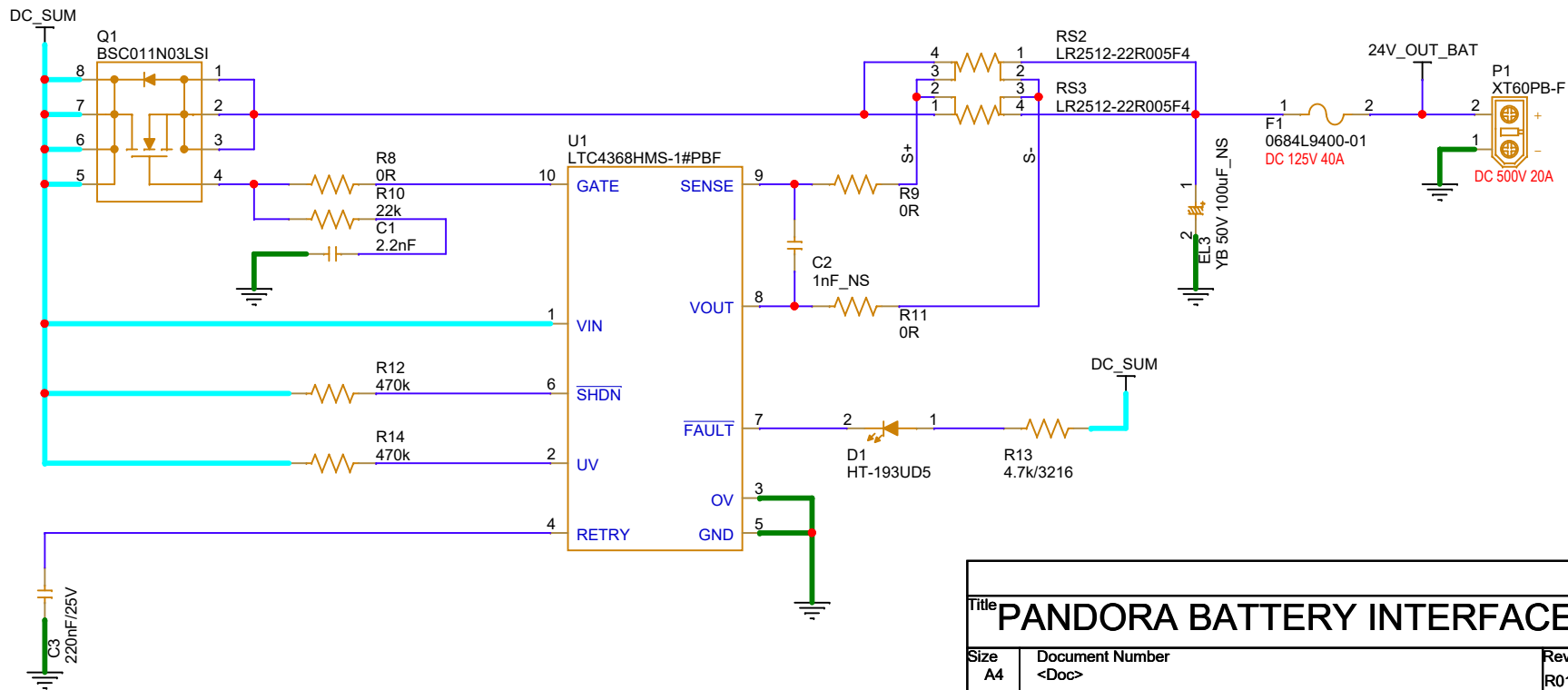


Title PANDORA BATTERY INTERFACE		
Size A4	Document Number <Doc>	Rev R01
Date Tuesday, September 13, 2022	Sheet 1	of 9

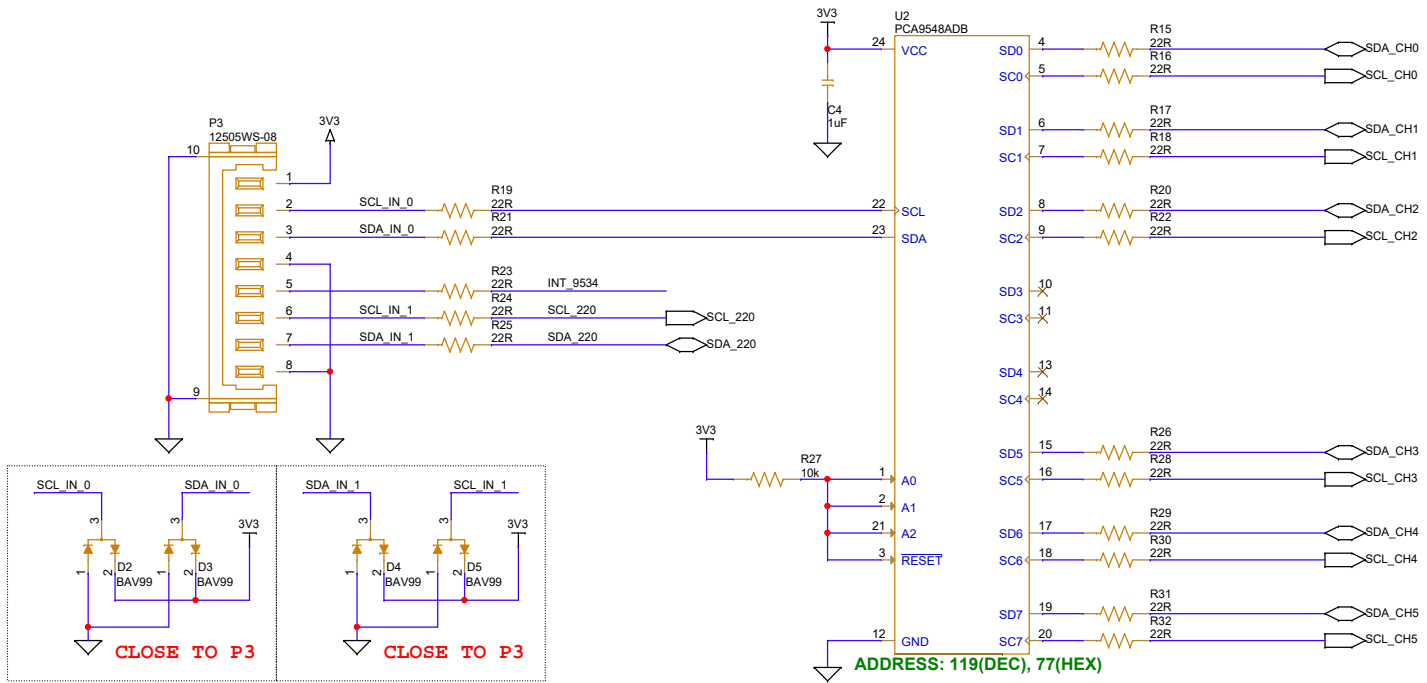
POWER INPUT



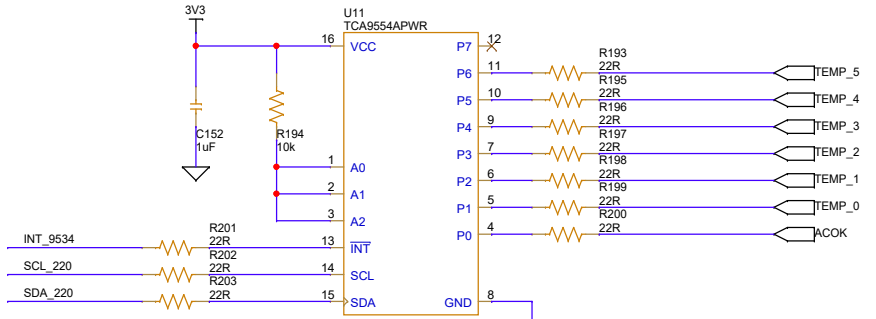
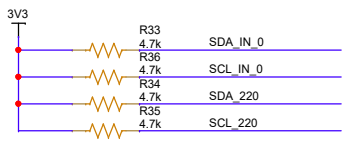
POWER OUTPUT



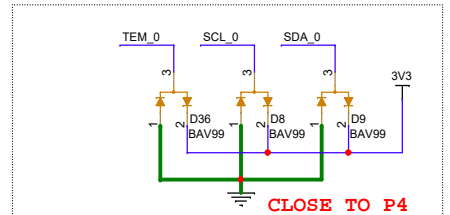
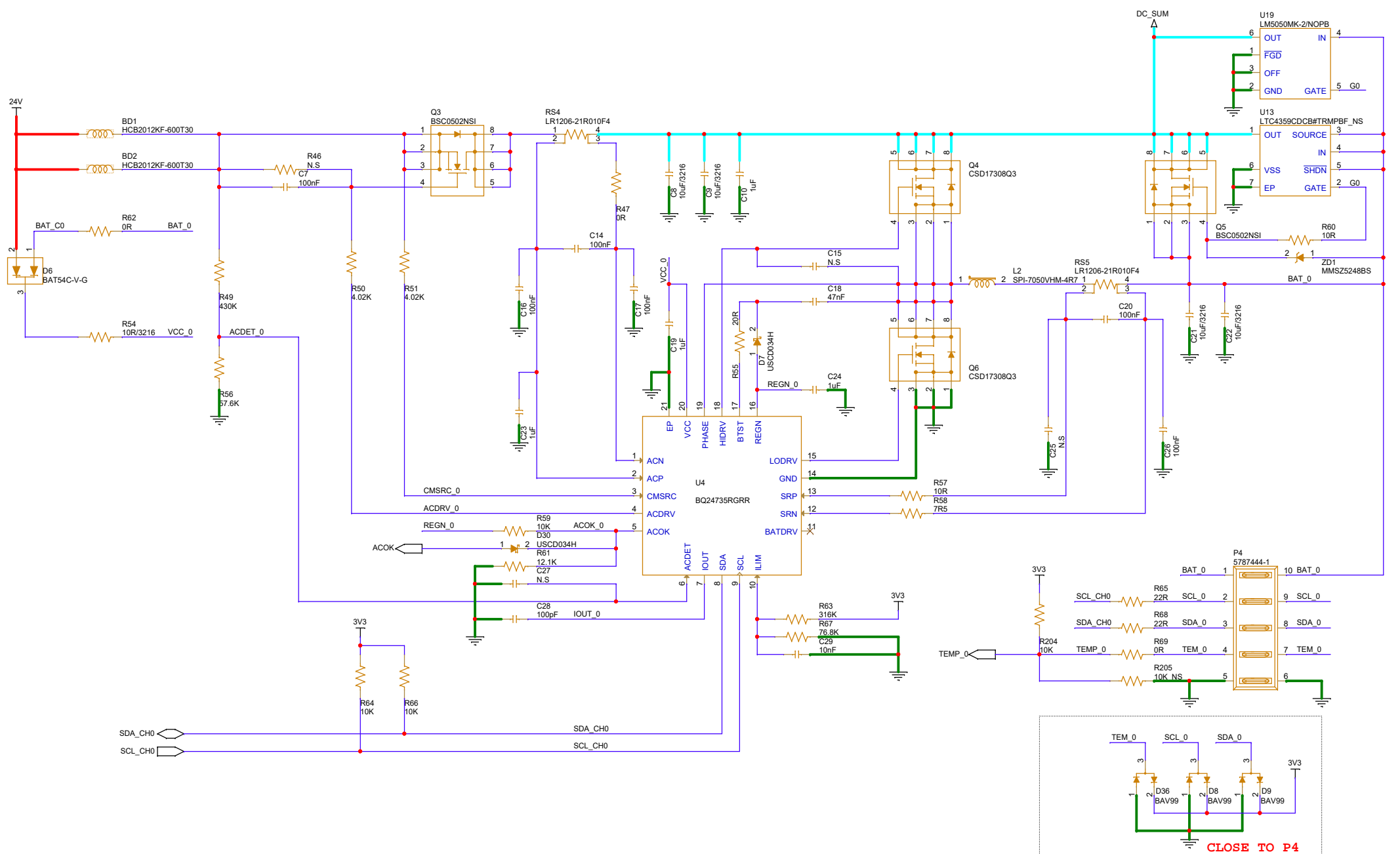
Title PANDORA BATTERY INTERFACE		
Size A4	Document Number <Doc>	Rev R01
Date:	Tuesday, September 13, 2022	Sheet 2 of 9



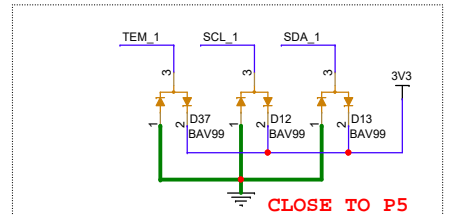
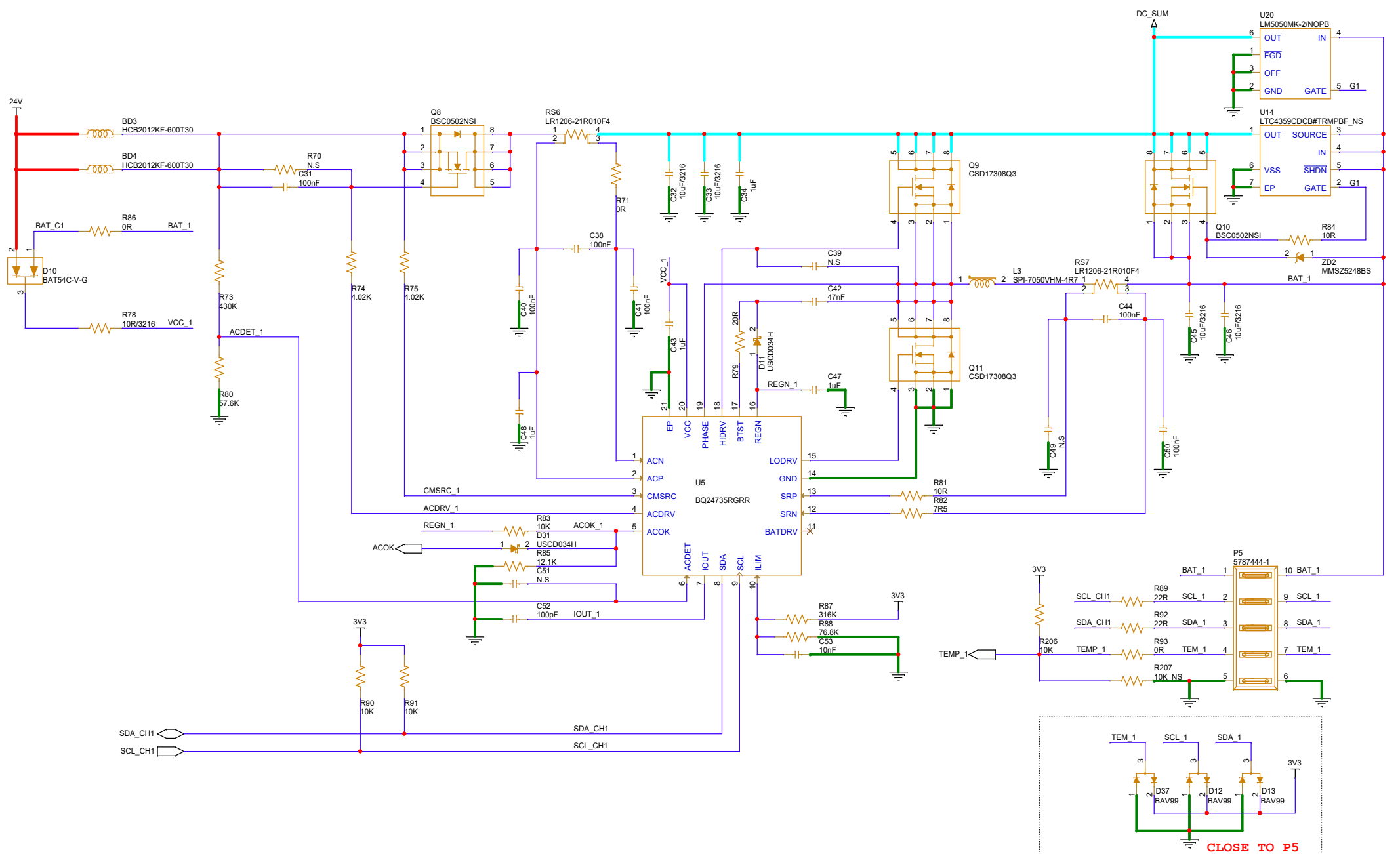
ADDRESS: 119(DEC), 77(HEX)



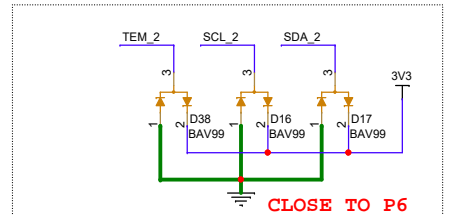
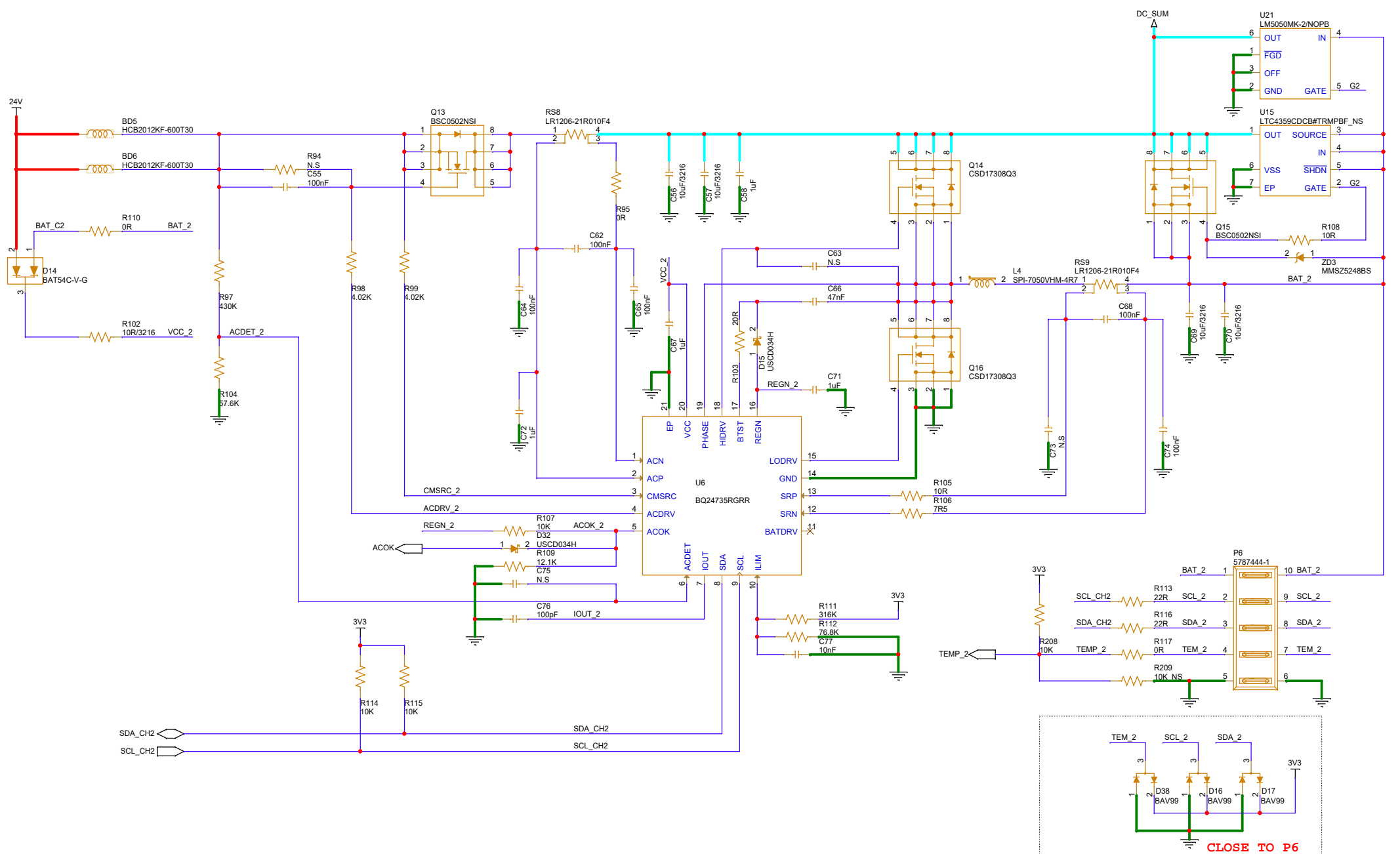
ADDRESS: 63 (DEC), 3F (HEX)



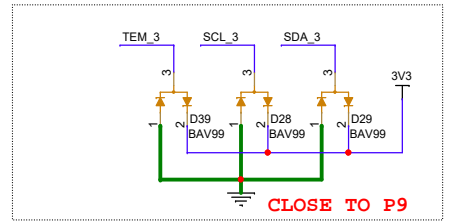
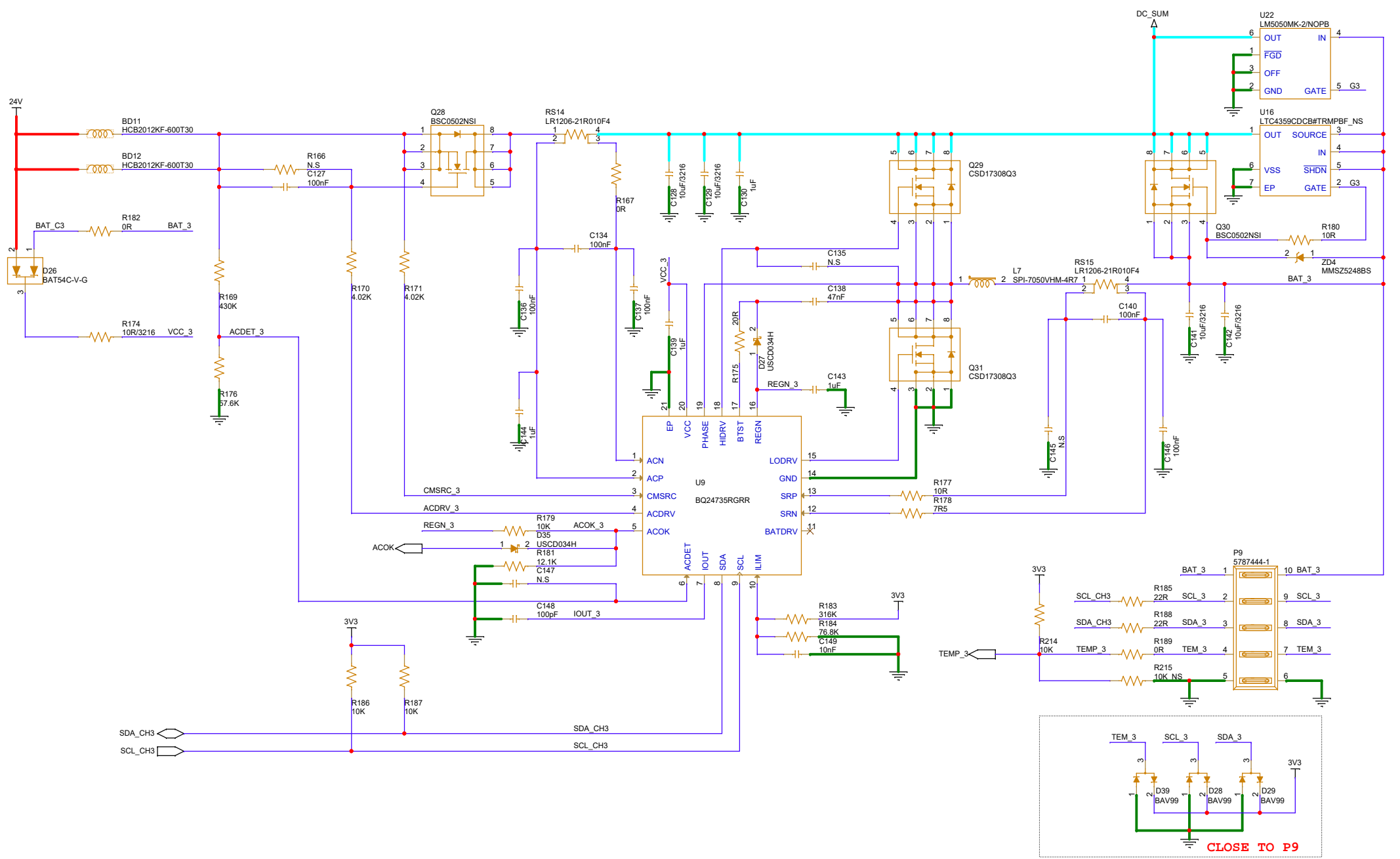
Title		
PANDORA BATTERY INTERFACE		
Size	Document Number	Rev
A3	<Doc>	R01
Date:	Tuesday, September 13, 2022	Sheet 4 of 9



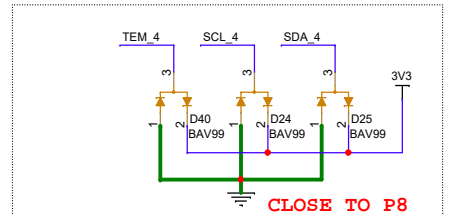
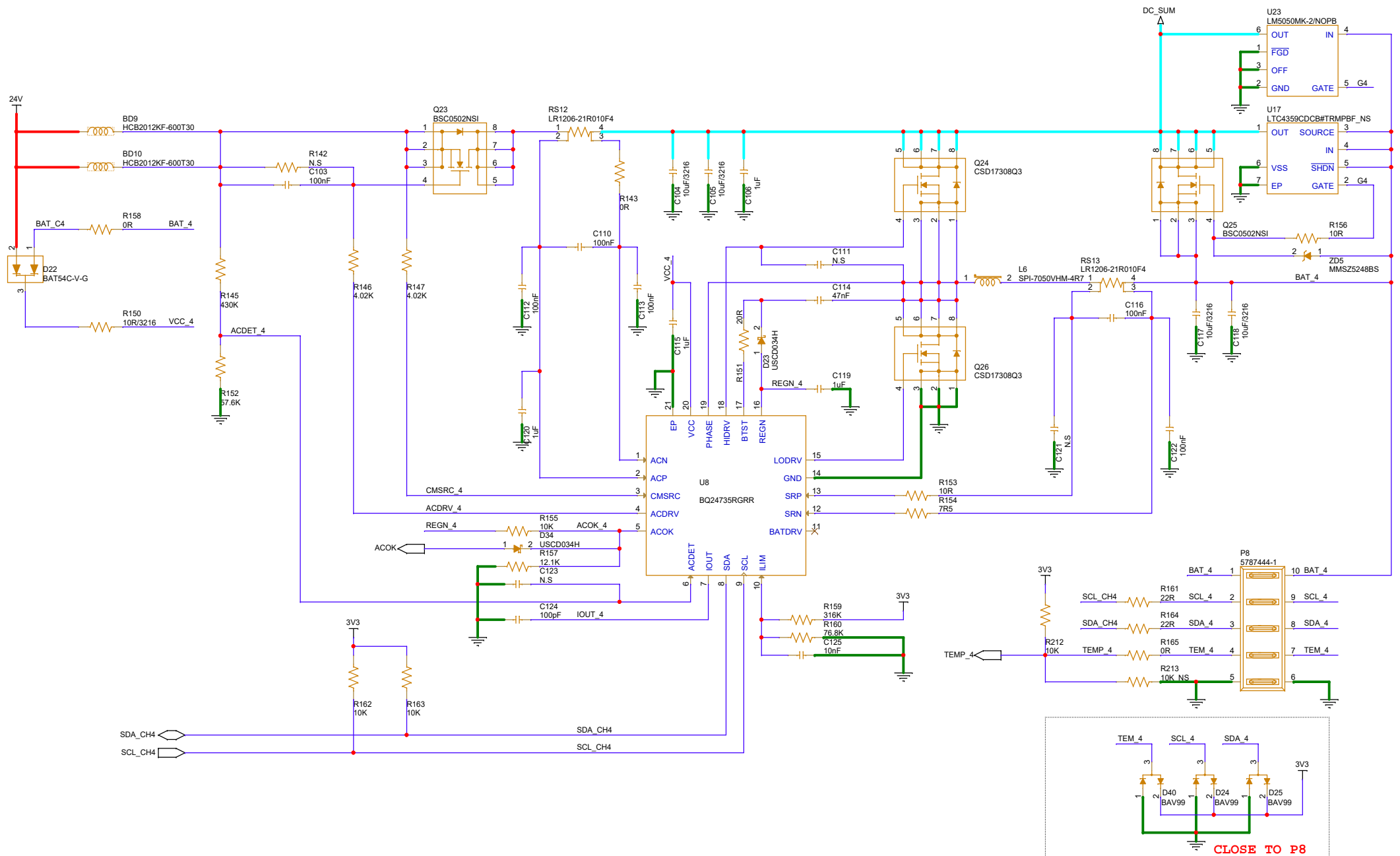
Title		
PANDORA BATTERY INTERFACE		
Size	Document Number	Rev
A3	<Doc>	R01
Date:	Tuesday, September 13, 2022	Sheet 5 of 9



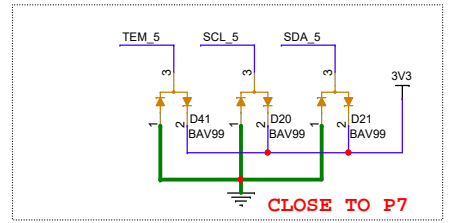
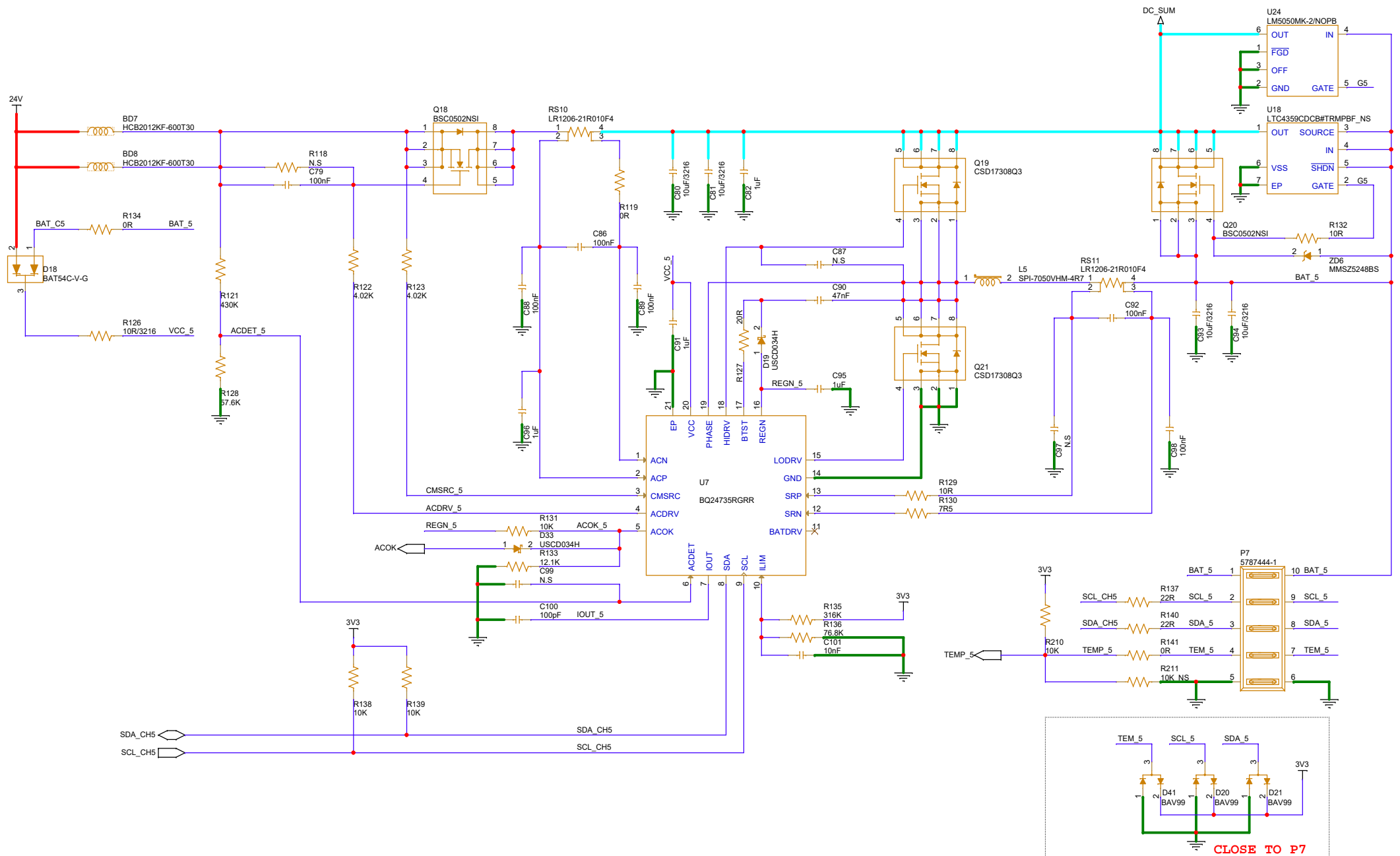
Title			PANDORA BATTERY INTERFACE		
Size	Document Number			Rev	
A3	<Doc>			R01	
Date:	Tuesday, September 13, 2022	Sheet	6	of	9



Title		
PANDORA BATTERY INTERFACE		
Size	Document Number	Rev
A3	<Doc>	R01
Date:	Tuesday, September 13, 2022	Sheet 7 of 9



Title		
PANDORA BATTERY INTERFACE		
Size	Document Number	Rev
A3	<Doc>	R01
Date:	Tuesday, September 13, 2022	Sheet 8 of 9



Title			PANDORA BATTERY INTERFACE		
Size	Document Number			Rev	
A3	<Doc>			R01	
Date:	Tuesday, September 13, 2022	Sheet	9	of	9