

5 4 3 2 1  
**MODEL : PANDORA MCU Board**

---

**REVISION NO : R01A**

---

**PCB NO :**

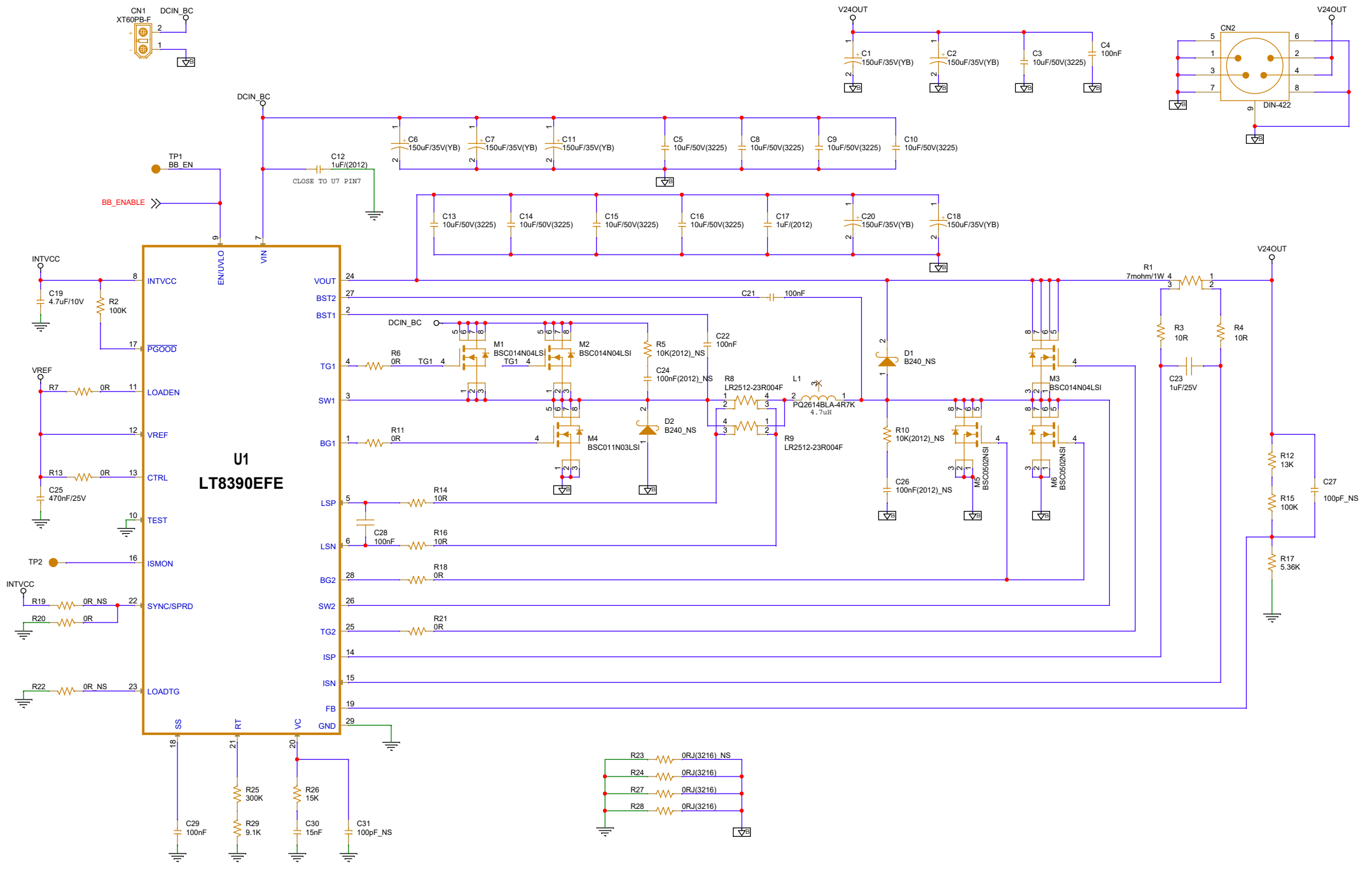
---

**PCB ASSEMBLY NO :**

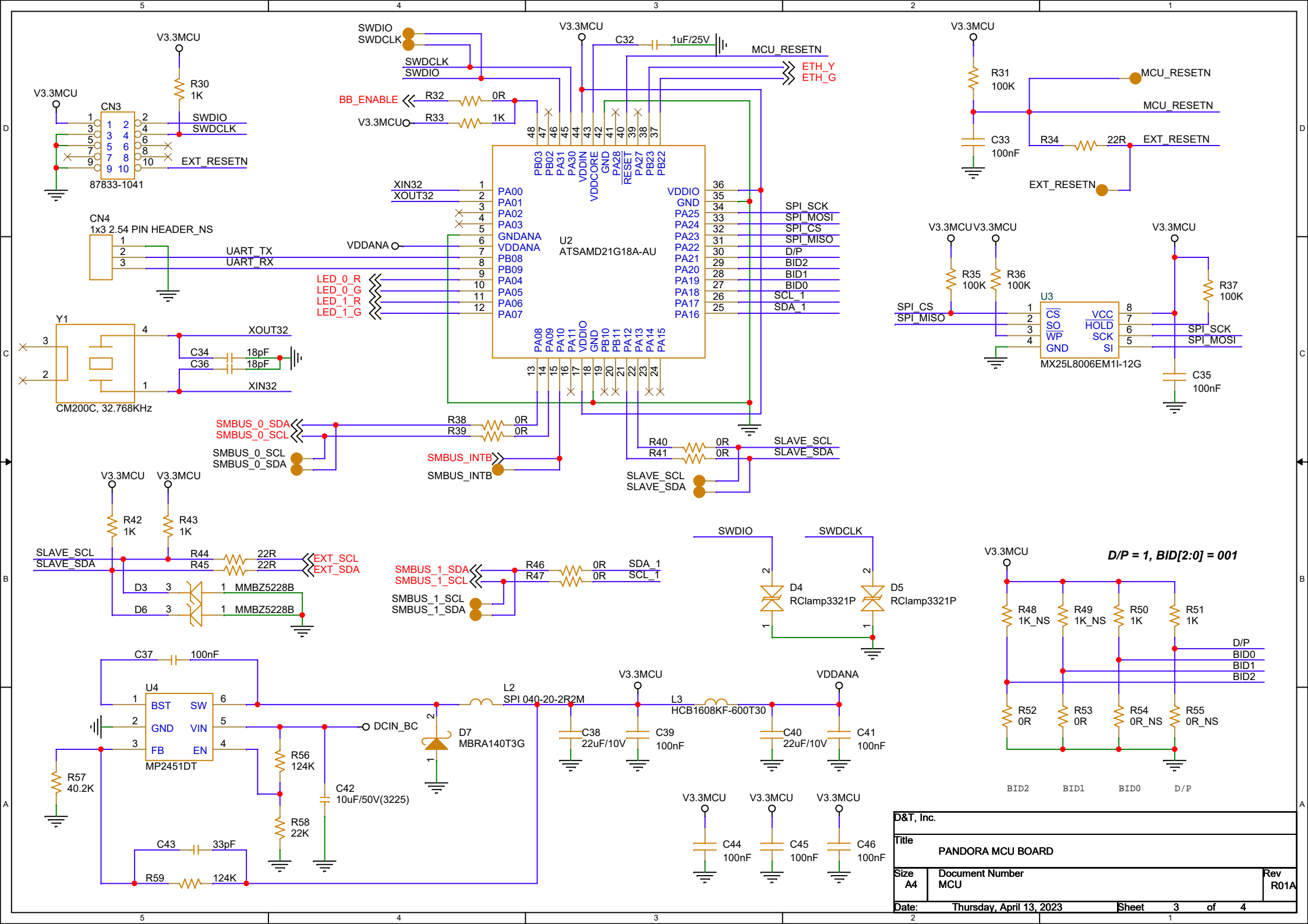
---

REV	DATE	HISTORY
X01	2022/01/20	initial release
R01	2022/09/13	R01 release
R01A	2023/04/13	Populate: R51, R53 Depopulate (change to "NS"): R55, R49 Change from [D/P = 0, BID[2:0] = 011] to [D/P = 1, BID[2:0] = 001]

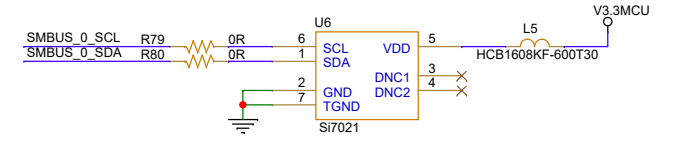
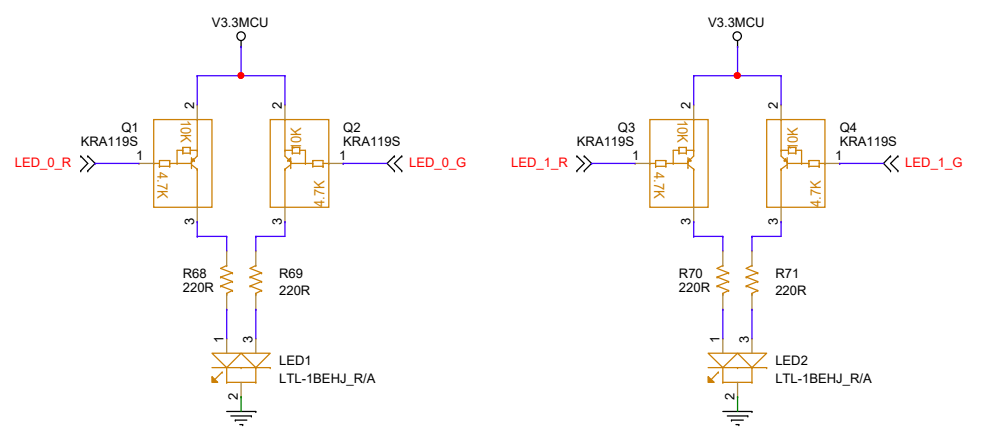
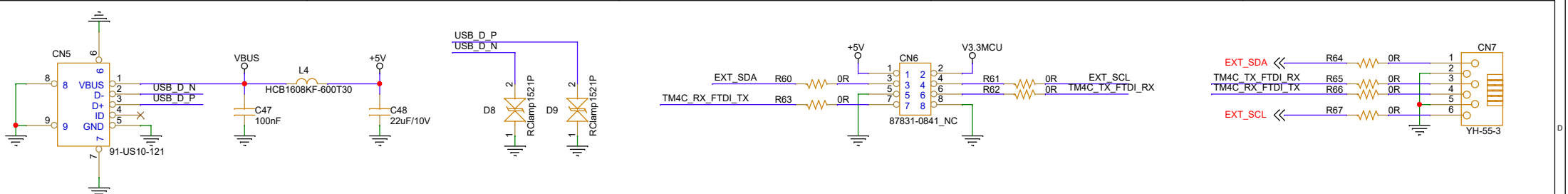
APPROVAL		
DESIGNER	PROJECT MANAGER	R&D DIRECTOR



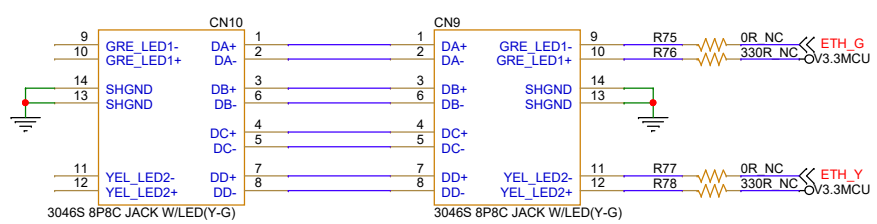
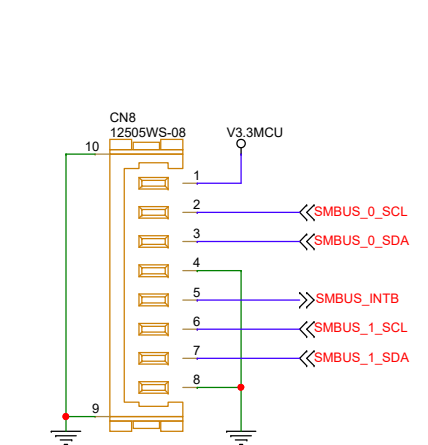
D&T, Inc.		
Title PANDORA MCU BOARD		
Size A3	Document Number DC Output	Rev R01A
Date: Thursday, April 13, 2023	Sheet 2	of 4



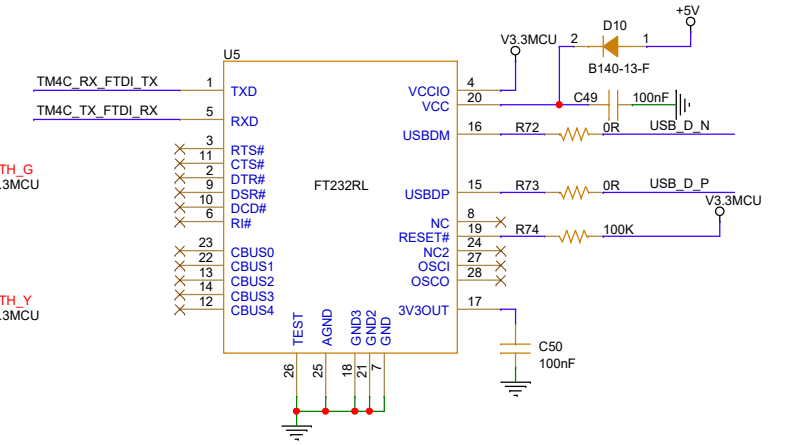
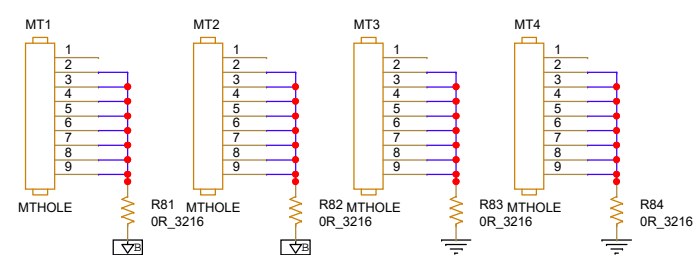
D&T, Inc.		
Title PANDORA MCU BOARD		
Size A4	Document Number MCU	Rev R01A
Date: Thursday, April 13, 2023	Sheet 3	of 4



**Temp/Humidity Sensor**  
I2C Slave Address : 0x40



**Ethernet OUT (TOP)**      **Ethernet IN (Bottom)**



Title		
PANDORA MCU BOARD		
Size	Document Number	Rev
B	INTERFACE	R01A
Date:	Thursday, April 13, 2023	Sheet 4 of 4