

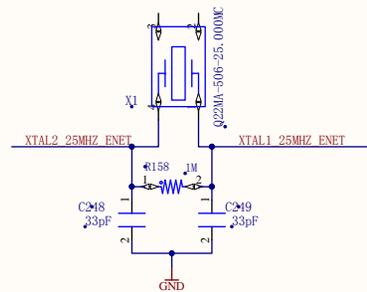
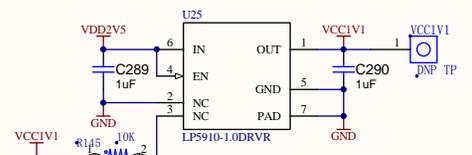
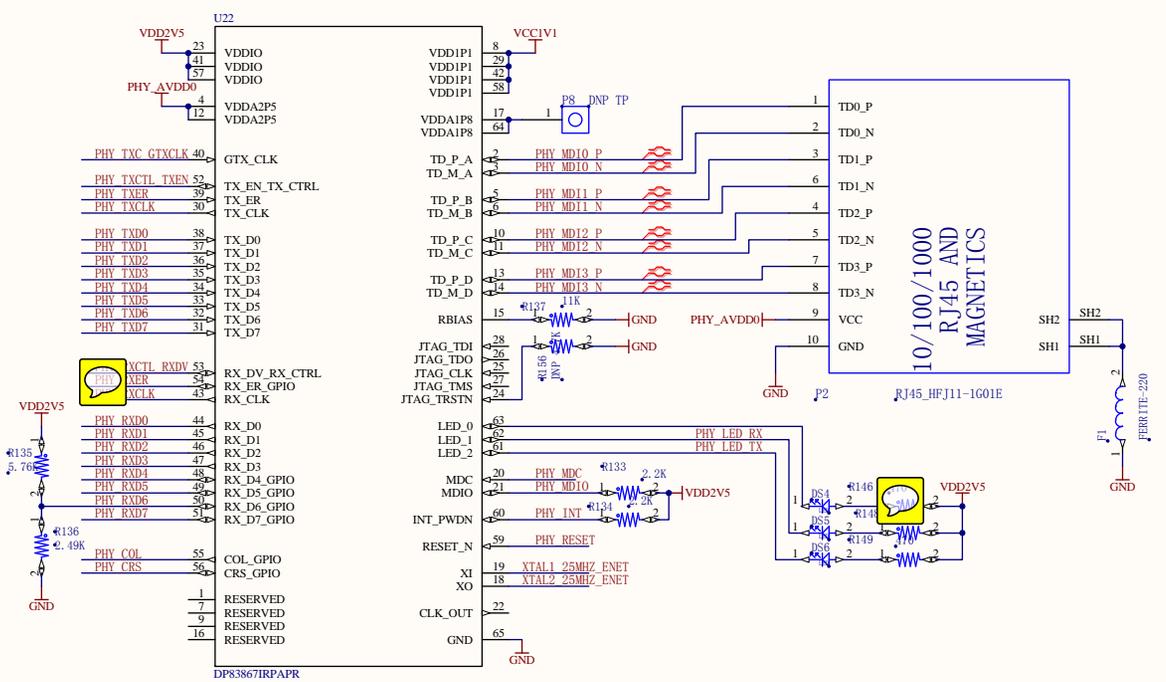
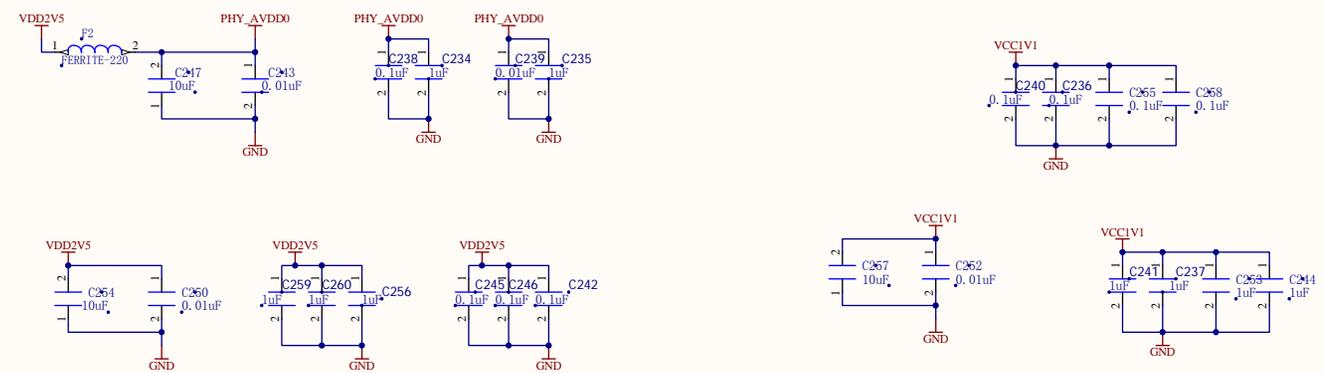
Title		
Size	Number	Revision
A3		
Date:	9/8/2017	Sheet of
File:	D:\WXD_ADC12D500_CLK_SchDoc	Drawn By:

A

B

C

D



Title		
Size	Number	Revision
A3		
Date:	9/8/2017	Sheet of
File:	D:\WXD...\DP83867IR_SchDoc	Drawn By:

BANK 35

IO_L0P_35	A12	TEST7
IO_L0N_35	A11	TEST6
IO_L1P_35	B10	PHY RXER
IO_L1N_35	C10	PHY RXCTL_RXDV
IO_L2P_SM0P_35	C11	TEST4
IO_L2N_SM0N_35	B11	TEST3
IO_L3P_SM1P_35	B9	PHY RXD5
IO_L3N_SM1N_35	D10	Panel 1
IO_L4P_35	E10	SYS RESET
IO_L4N_VREF_35	A8	PHY TXCTL_TXEN
IO_L5P_SM2P_35	B8	PHY RXD4
IO_L5N_SM2N_35	A7	PHY RXD6
IO_L6P_SM3P_35	C6	PHY TXD2
IO_L6N_SM3N_35	B6	PHY RXD1
IO_L7P_SM4P_35	G10	PHY INT
IO_L7N_SM4N_35	H10	PHY RESET
IO_L8P_SRCC_35	E9	PHY RXCLK
IO_L8N_SRCC_35	D9	PHY TXD0
IO_L9P_MRCC_35	C8	PHY TXCLK
IO_L9N_MRCC_35	B7	PHY RXD2
IO_L10P_MRCC_35	D8	PHY RXD3
IO_L10N_MRCC_35	E7	PHY RXD0
IO_L11P_SRCC_35	F9	PHY TXD1
IO_L12P_SRCC_35	G9	PHY TXD2
IO_L12N_SRCC_35	E7	PHY TXD3
IO_L13P_SM6P_35	F6	PHY TXER
IO_L13N_SM6N_35	F11	PHY TXC_GTXCLK
IO_L14P_35	F11	TEST5
IO_L14N_VREF_35	F8	PHY MDC
IO_L15P_SM7P_35	F7	PHY TXD5
IO_L15N_SM7N_35	G11	Panel 2
IO_L16P_VRN_35	H11	TEST8
IO_L16N_VRP_35	G8	PHY MDIO
IO_L17P_35	D12	PHY CR2
IO_L17N_35	C12	SYSCLK_P
IO_L18P_GC_35	F6	PHY TXD4
IO_L18N_GC_35	G6	PHY TXD6
IO_L19P_GC_35		
IO_L19N_GC_35		

XC6VLX130T-1FFG484I

BANK 25

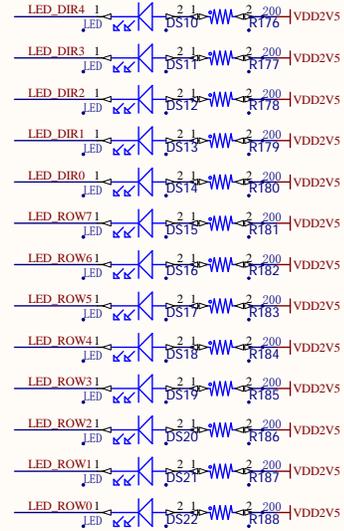
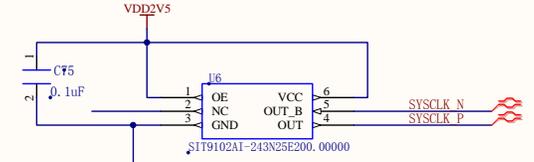
IO_L0P_25	D14	ADS_DA4_P
IO_L0N_25	E14	ADS_DA4_N
IO_L1P_25	B15	ADS_DB12_P
IO_L1N_25	C15	ADS_DB12_N
IO_L2P_25	A14	ADS_DB2_P
IO_L2N_25	B14	ADS_DB2_N
IO_L3P_25	D15	ADS_DA6_P
IO_L3N_25	E13	ADS_DA2_P
IO_L4P_25	G13	ADS_DA2_N
IO_L4N_VREF_25	B16	ADS_DB4_P
IO_L5P_25	A16	ADS_DB4_N
IO_L5N_25	E12	ADS_DA0_P
IO_L6P_25	F12	ADS_DA0_N
IO_L6N_25	A17	ADS_DB10_P
IO_L7P_25	B18	ADS_DB10_N
IO_L7N_25	C13	ADS_C_OUT_P
IO_L8P_SRCC_25	D13	ADS_C_OUT_N
IO_L8N_SRCC_25	E16	EDFA1_RX
IO_L9P_MRCC_25	F3	
IO_L9N_MRCC_25	A19	ADS_DB6_P
IO_L10P_MRCC_25	B19	ADS_DB6_N
IO_L10N_MRCC_25	C16	ADS_DA8_P
IO_L11P_SRCC_25	C17	ADS_DA8_N
IO_L11N_SRCC_25	A13	ADS_DB0_P
IO_L12P_25	B13	ADS_DB0_N
IO_L12N_25	C18	ADS_DA10_P
IO_L13P_25	D18	ADS_DA10_N
IO_L13N_25	E14	RES_SEL2
IO_L14P_25	F14	EDFA2_TX
IO_L14N_VREF_25	G16	EDFA2_RX
IO_L15P_25	H16	EDFA2_RX
IO_L15N_25	D17	READY
IO_L16P_VRN_25	H13	READY
IO_L16N_VRP_25	D17	ADS_DB8_P
IO_L17P_25	D18	ADS_DB8_N
IO_L17N_25	G15	FPGA_CLK_P
IO_L18P_GC_25	H15	FPGA_CLK_N
IO_L18N_GC_25	E17	ADS_DA12_P
IO_L19P_GC_25	F17	ADS_DA12_N
IO_L19N_GC_25		

XC6VLX130T-1FFG484I

BANK 15

IO_L0P_15	B20	ADS_SDATA
IO_L0N_15	C20	GPI03
IO_L1P_15	G18	ADS_SCLK
IO_L1N_15	F18	TEST2
IO_L2P_SM8P_15	A21	ADS_CLK_FPGA
IO_L2N_SM8N_15	B21	GPI02
IO_L3P_SM9P_15	G19	RES_SEL0
IO_L3N_SM9N_15	F19	LED_ROW7
IO_L4P_15	F18	DIV_SCTK
IO_L4N_VREF_15	D17	ADS_SEN
IO_L5P_SM10P_15	B22	TRIG_IN
IO_L5N_SM10N_15	C21	TRIG_OUT
IO_L6P_SM11P_15	C17	DIV_SYSSNC
IO_L6N_SM11N_15	F17	PLL_SCLK
IO_L7P_SM12P_15	F19	TEST1
IO_L7N_SM12N_15	D19	AOM_CLK
IO_L8P_SRCC_15	C19	LED_ROW1
IO_L8N_SRCC_15	D19	LED_ROW3
IO_L9P_MRCC_15	D20	GPI01
IO_L9N_MRCC_15	E20	LED_DR1
IO_L10P_MRCC_15	F22	USER_CLOCK
IO_L10N_MRCC_15	D22	OTDR_CLK
IO_L11P_SRCC_15	F21	LED_DR0
IO_L11N_SRCC_15	F22	LED_DR4
IO_L12P_SM13P_15	F21	LED_DR3
IO_L12N_SM13N_15	F22	LED_DR2
IO_L13P_SM14P_15	D20	DIV_SDA
IO_L13N_SM14N_15	C20	PLL_CE
IO_L14P_15	G21	RES_SEL1
IO_L14N_VREF_15	H21	EDFA1_TX
IO_L15P_SM15P_15	H21	LED_ROW5
IO_L15N_SM15N_15	L18	PLL_LE
IO_L16P_VRN_15	L18	PLL_LE
IO_L16N_VRP_15	L19	PLL_SDATA
IO_L17P_15	H20	CLK_SYS
IO_L17N_15	D20	ERROR_TX
IO_L18P_15	F22	LED_ROW2
IO_L18N_15	F22	LED_ROW4
IO_L19P_15	C21	DIV_SLE
IO_L19N_15	C22	LED_ROW0

XC6VLX130T-1FFG484I



BANK 14

IO_L0P_14	M18	DQD6_P
IO_L0N_14	N18	DQD6_N
IO_L1P_14	M20	DQD9_P
IO_L1N_14	M19	DQD9_N
IO_L2P_14	A22	DQD10_P
IO_L2N_14	A21	DQD10_N
IO_L3P_14	A22	DQD5_P
IO_L3N_14	A21	DQD5_N
IO_L4P_14	F22	DQD4_P
IO_L4N_VREF_14	R22	DQD4_N
IO_L5P_14	R21	DQD8_P
IO_L5N_14	F22	DQD8_N
IO_L6P_14	A17	PLL_LD
IO_L6N_14	M21	ADC_CAL
IO_L7P_14	N20	DQD2_P
IO_L7N_14	F21	DQD2_N
IO_L8P_SRCC_14	F21	DQD7_P
IO_L8N_SRCC_14	F21	DQD7_N
IO_L9P_MRCC_14	A19	ADC_SCLK
IO_L9N_MRCC_14	A20	ADC_SEN
IO_L10P_MRCC_14	A22	DQD0_P
IO_L10N_MRCC_14	F22	DQD0_N
IO_L11P_SRCC_14	R19	DQ0_P
IO_L11N_SRCC_14	R20	DQ0_N
IO_L12P_VRN_14	P18	DQD3_P
IO_L12N_VRP_14	R17	DQD3_N
IO_L13P_14	A19	DQ1_P
IO_L13N_14	A20	DQ1_N
IO_L14P_14	F22	DQ5_P
IO_L14N_VREF_14	A22	DQ5_N
IO_L15P_14	A21	DQ3_P
IO_L15N_14	F21	DQ3_N
IO_L16P_14	AB20	DQD1_P
IO_L16N_14	AB21	DQD1_N
IO_L17P_14	F19	ADC_SDA
IO_L17N_14	F20	ADC_SDB
IO_L18P_14	A20	DQ8_P
IO_L18N_14	A20	DQ8_N
IO_L19P_14	A20	DQ2_P
IO_L19N_14	A21	DQ2_N

XC6VLX130T-1FFG484I

BANK 24

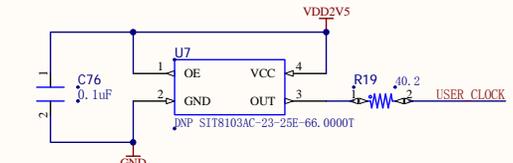
IO_L0P_GC_24	T13	DCLKI_P
IO_L0N_GC_24	U13	DCLKI_N
IO_L1P_GC_24	T17	DCLKQ_P
IO_L1N_GC_24	U18	DCLKQ_N
IO_L2P_D15_24	T16	DQD11_P
IO_L2N_D14_24	U16	DQD11_N
IO_L3P_D13_24	V17	DQD_P
IO_L3N_D12_24	V13	D17_P
IO_L4P_D11_24	W13	D17_N
IO_L4N_VREF_D11_24	W18	DQ4_P
IO_L5P_D9_24	W17	DQ4_N
IO_L5N_D8_24	V16	ADC_CalRun
IO_L6P_D7_24	U16	ADC_ECP
IO_L6N_D6_24	W19	DQ10_P
IO_L7P_D5_24	V19	DQ10_N
IO_L7N_D4_24	AB18	DQ11_P
IO_L8P_SRCC_24	AA18	DQ11_N
IO_L8N_SRCC_24	AA19	DQ6_P
IO_L9P_MRCC_24	AB19	DQ6_N
IO_L9N_MRCC_24	AV17	DQ7_P
IO_L10P_MRCC_24	AA17	DQ7_N
IO_L10N_MRCC_24	AA16	DID4_P
IO_L11P_SRCC_24	Y16	DID4_N
IO_L11N_SRCC_24	R14	MODE_SW
IO_L12P_D3_24	R15	#55
IO_L12N_D2_FS2_24	U15	#175
IO_L13P_D1_FS1_24	U15	#200
IO_L13N_D0_FS0_24	W15	CS
IO_L14P_FCS_B_24	Y15	MOS1
IO_L14N_VREF_FOE_B_MOS1_24	T14	EDFA CONFIG
IO_L15P_FWE_B_24	U14	LIMIT_CTRL0
IO_L15N_RS1_24	AB13	D19_P
IO_L16P_RS0_24	AA13	D19_N
IO_L16N_CSO_B_24	Y14	D11_P
IO_L17P_VRN_24	AV14	D11_N
IO_L17N_VRP_24	AB14	DID0_P
IO_L18P_24	AA14	DID0_N
IO_L18N_24	AB15	DID1_P
IO_L19P_24	W20	DQ2_P
IO_L19N_24	AB16	DID1_N

XC6VLX130T-1FFG484I

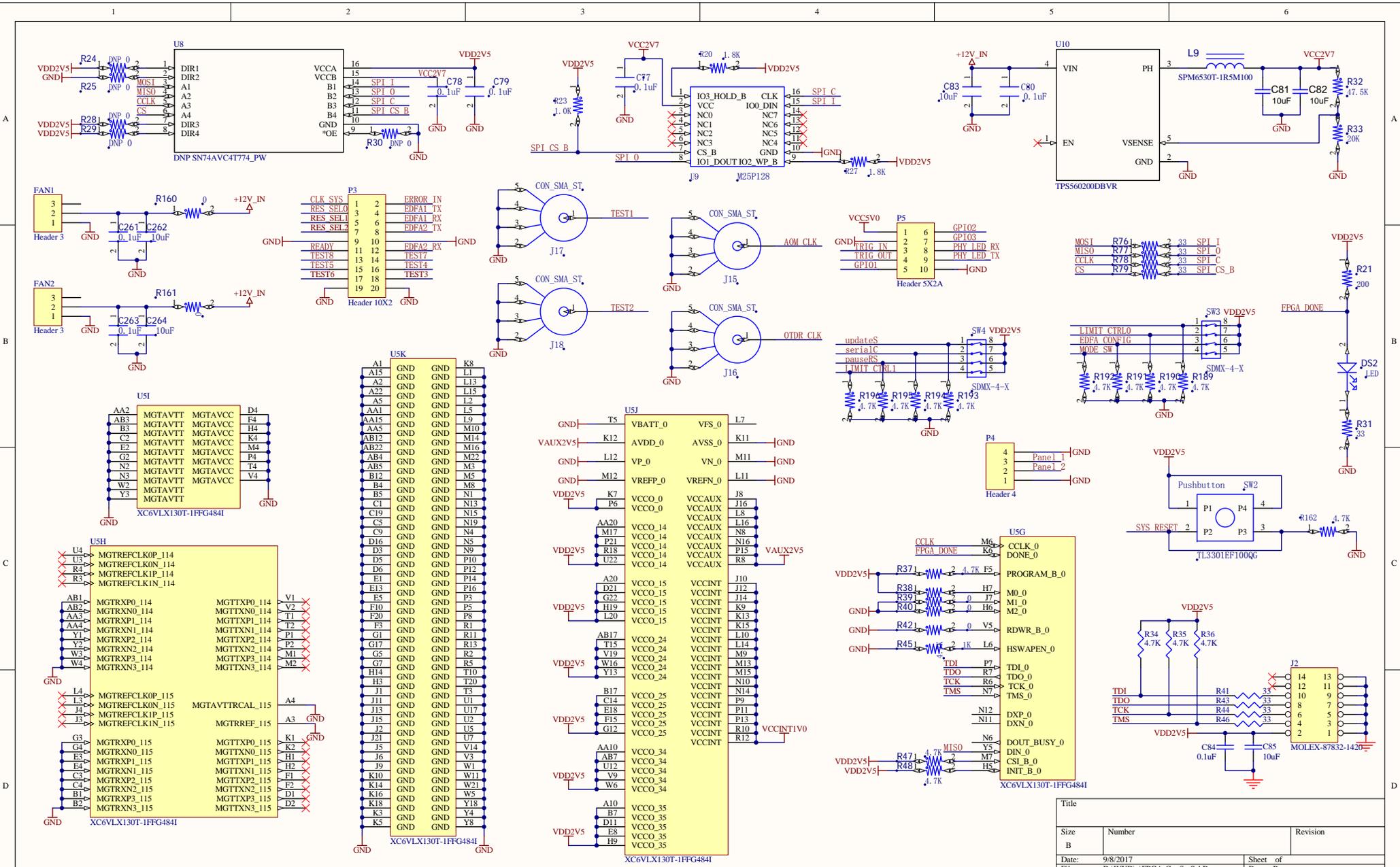
BANK 34

IO_L0P_GC_34	W12	D13_P
IO_L0N_GC_34	W12	D13_N
IO_L1P_GC_34	T6	DID11_P
IO_L1N_GC_34	T7	DID11_N
IO_L2P_A15_D31_34	R9	DID3_P
IO_L2N_A14_D30_34	T8	DID3_N
IO_L3P_A13_D29_34	T6	D16_P
IO_L3N_A12_D28_34	U6	D16_N
IO_L4P_A11_D27_34	T7	DID5_N
IO_L4N_VREF_A10_D26_34	F11	serialC LIMIT_CTRL1
IO_L5P_A09_D25_34	V7	DID6_P
IO_L5N_A08_D24_34	W7	DID6_N
IO_L6P_A07_D23_34	V8	DID5_P
IO_L6N_A06_D22_34	V8	DID5_N
IO_L7P_A05_D21_34	Y6	D11_P
IO_L7N_A04_D20_34	Y7	D11_N
IO_L8P_SRCC_34	AB6	DID8_P
IO_L8N_SRCC_34	AA6	DID8_N
IO_L9P_MRCC_34	AA7	D14_P
IO_L9N_MRCC_34	AA8	D14_N
IO_L10P_MRCC_34	AA9	D18_P
IO_L10N_MRCC_34	V10	DID10_P
IO_L11P_SRCC_34	W9	DID10_N
IO_L11N_SRCC_34	W9	DID7_P
IO_L12P_A03_D19_34	W8	DID7_N
IO_L12N_A02_D18_34	V9	DID9_P
IO_L13P_A01_D17_34	V10	DID9_N
IO_L13N_A00_D16_34	V10	D10_P
IO_L14P_A25_34	V10	D10_N
IO_L14N_VREF_A24_34	AB9	D12_P
IO_L15P_A23_34	AA8	D12_N
IO_L15N_A22_34	Y12	DID2_P
IO_L16P_A21_34	AA12	DID2_N
IO_L16N_A20_34	U11	pause[S
IO_L17P_A19_34	AA11	D10_P
IO_L17N_A18_34	U11	update[S
IO_L18P_A17_34	U11	D10_N
IO_L18N_A16_34	AB11	D15_P
IO_L19P_VRN_34	AB10	D15_N
IO_L19N_VRP_34		

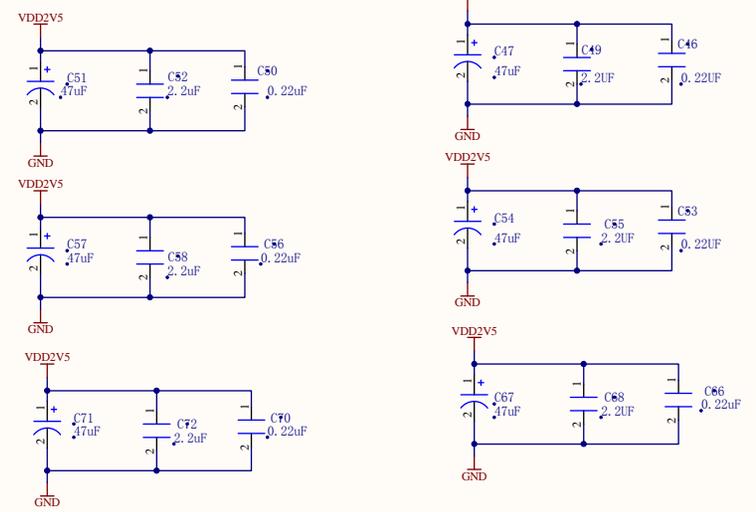
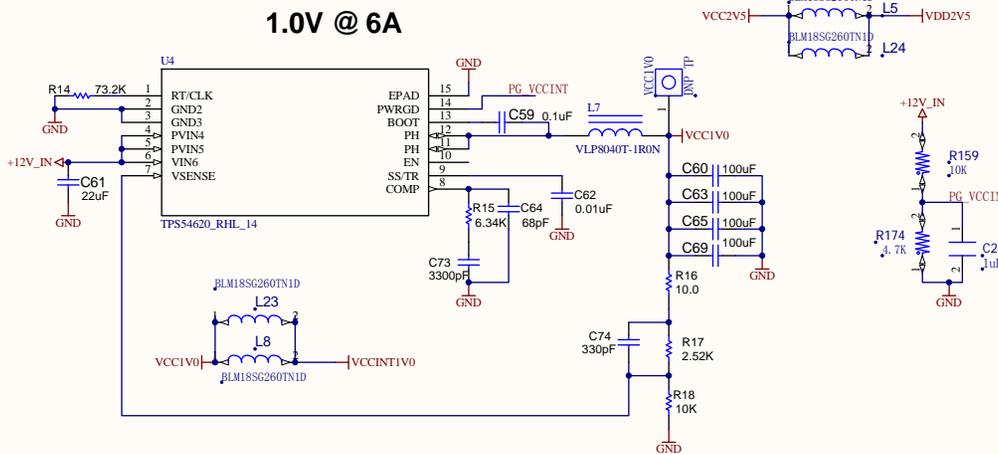
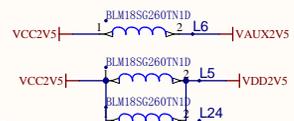
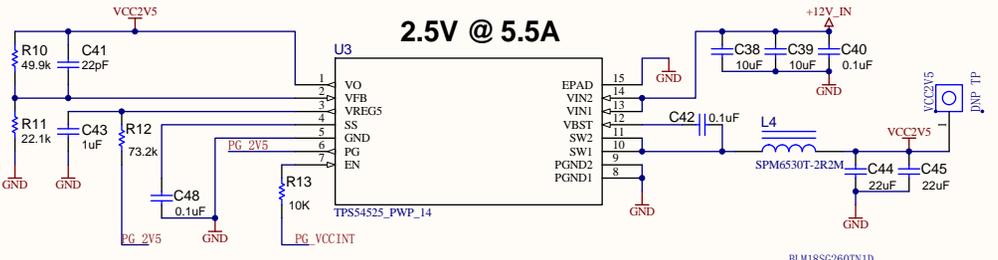
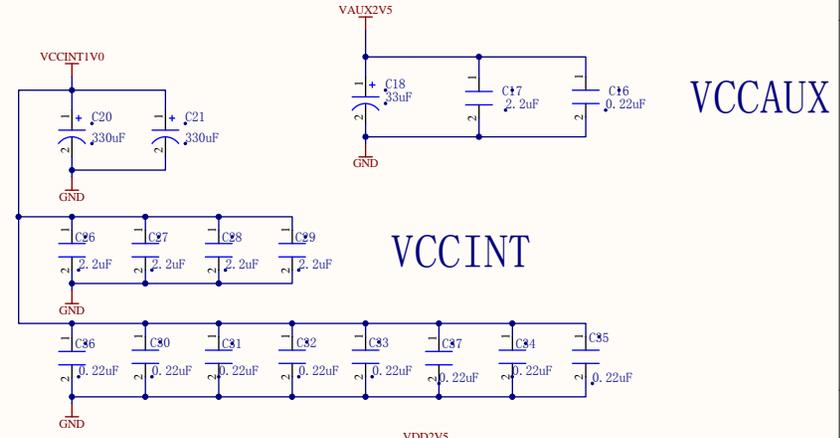
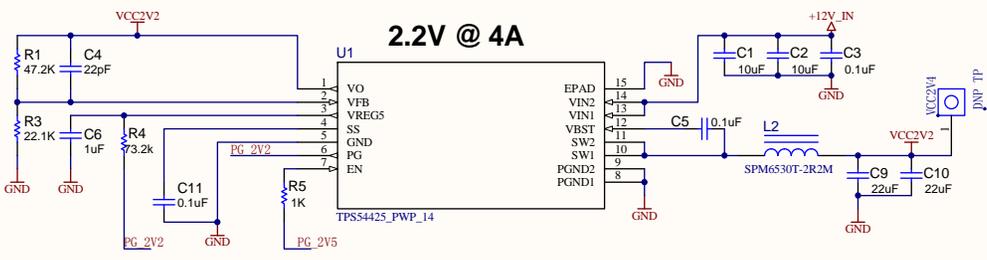
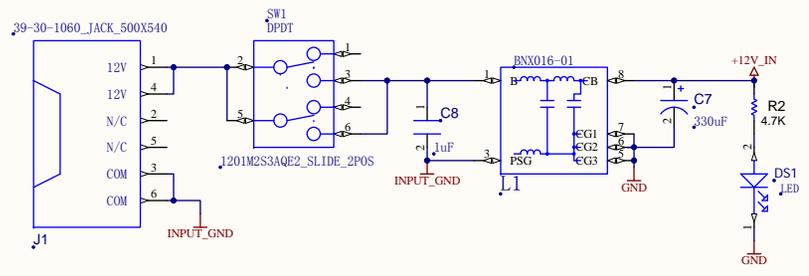
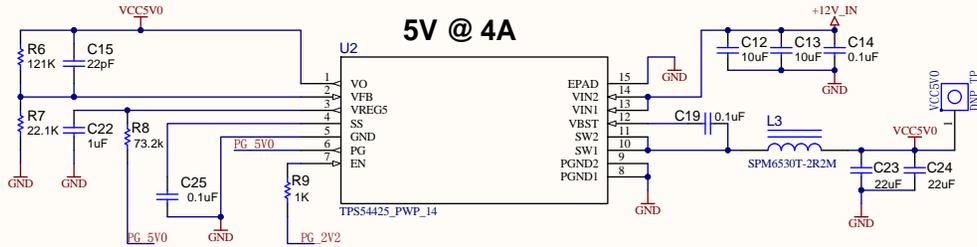
XC6VLX130T-1FFG484I



Title		
Size B	Number	Revision
Date:	9/8/2017	Sheet of
File:	D:\WXD\...FFGA.SchDoc	Drawn By:



Title		
Size	Number	Revision
Date:	9/8/2017	Sheet of
File:	D:\WXd\...FPGA-Config.SchDoc	Drawn By:



Title		
Size	Number	Revision
A3		
Date:	9/8/2017	Sheet of
File:	D:\WXD\...Power_SchDoc	Drawn By: