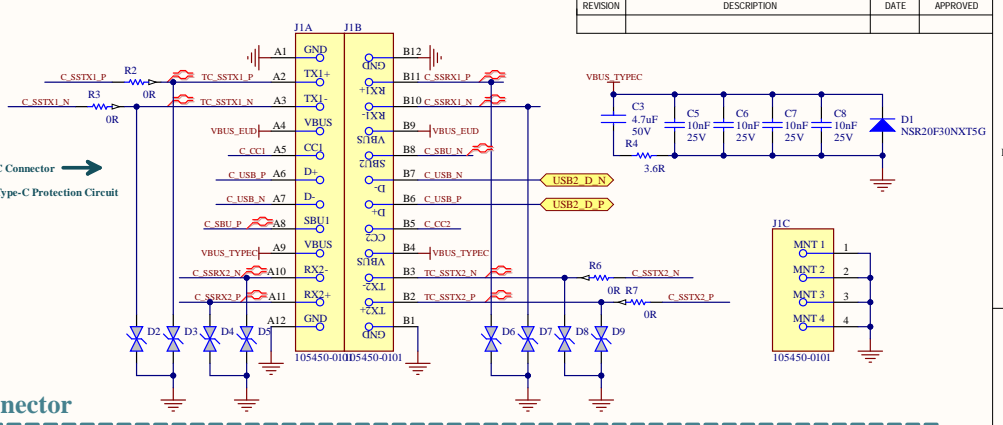
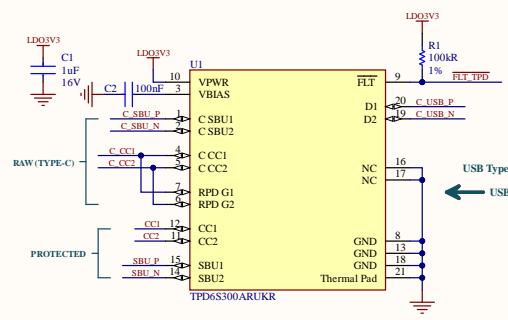
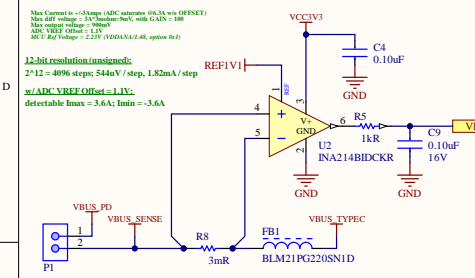
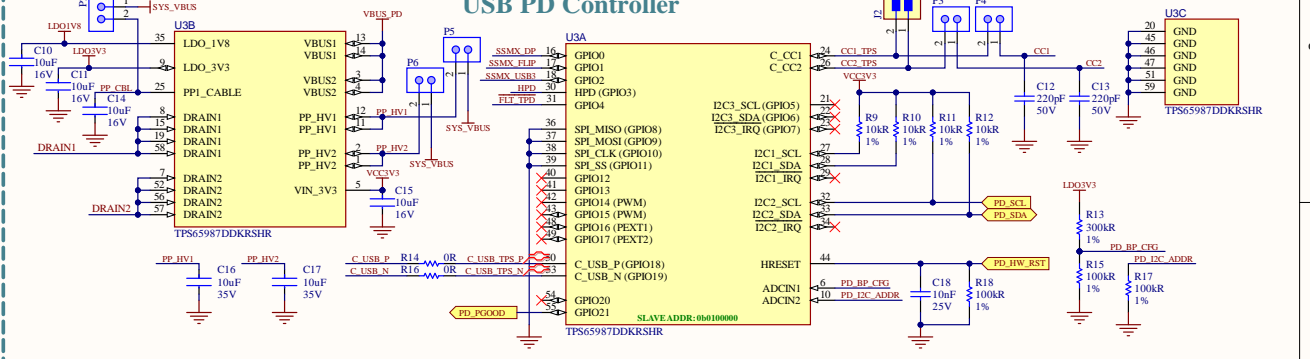


COPYRIGHT © 2020 HUMAN SYSTEMS INTEGRATION, INC. THIS COPYRIGHTED DOCUMENT IS THE PROPERTY OF HUMAN SYSTEMS INTEGRATION, INC. AND IT CONTAINS PROPRIETARY INFORMATION. IT IS NOT TO BE DISCLOSED TO THIRD PARTIES. REPRODUCED IN WHOLE OR IN PART OR USED FOR ANY PURPOSE OTHER THAN FOR THE QUOTATION OR MANUFACTURE OF PRODUCT FOR HUMAN SYSTEMS INTEGRATION.

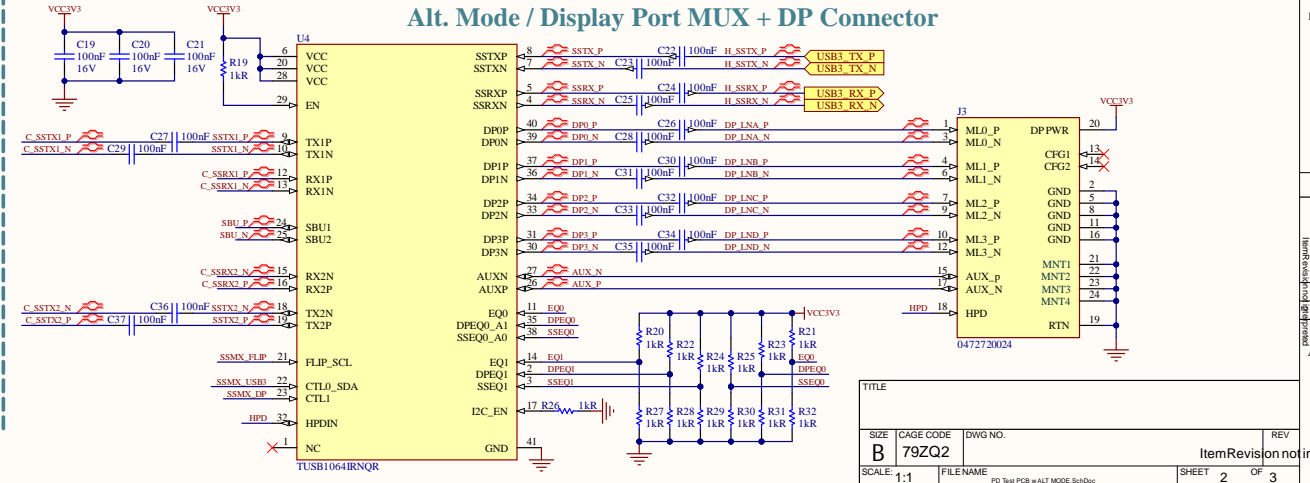


USB Type-C Connector

USB PD Controller



Alt. Mode / Display Port MUX + DP Connector



SIZE	CAGE CODE	DWG NO.	REV
B	79ZQ2		

SCALE: 1:1 FILENAME: PD_Tail PCB - ALT MODE SchDoc SHEET 2 OF 3