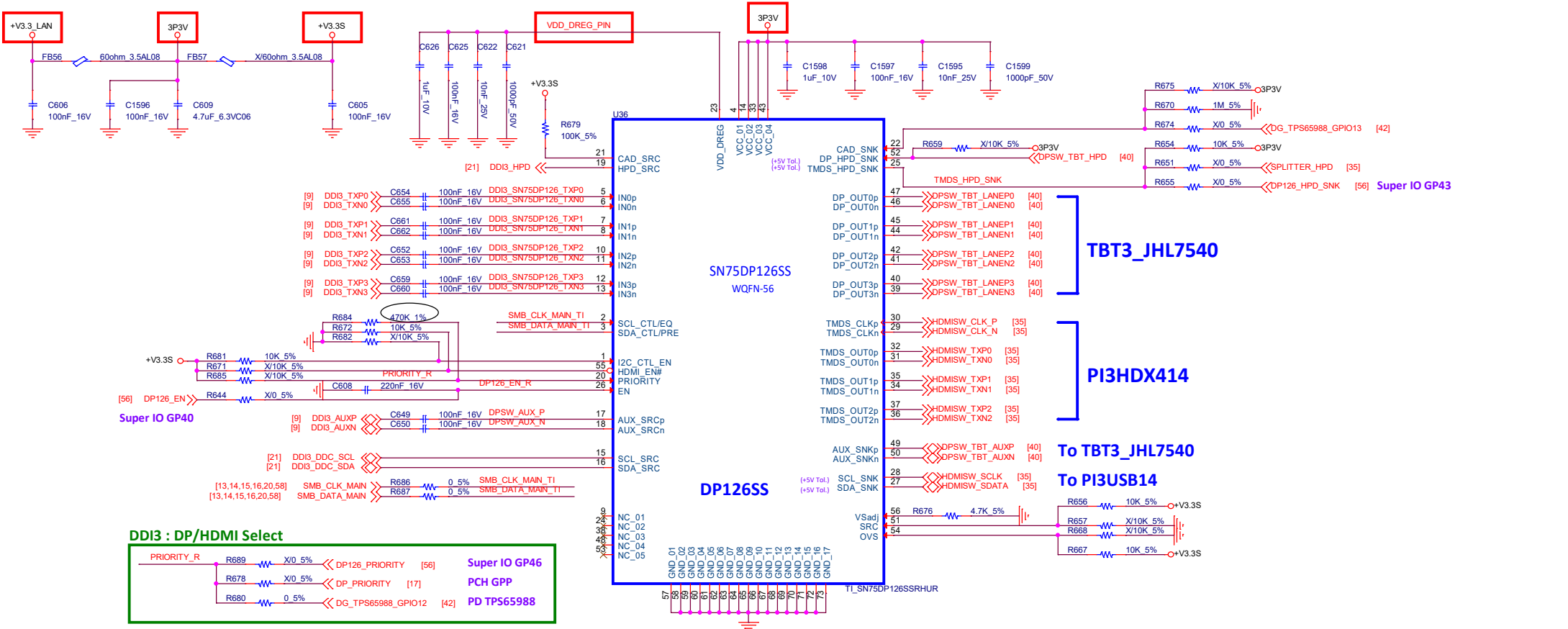


DDI3_TI-SN75DP126



PRIORITY PIN:
 When low, the DisplayPort sink has priority selection.
 When high, the HDMI/DVI sink has priority.