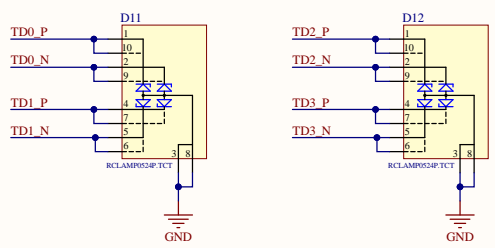
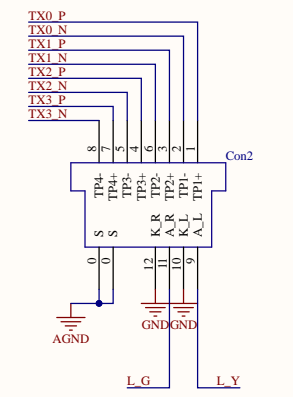
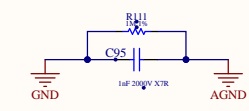
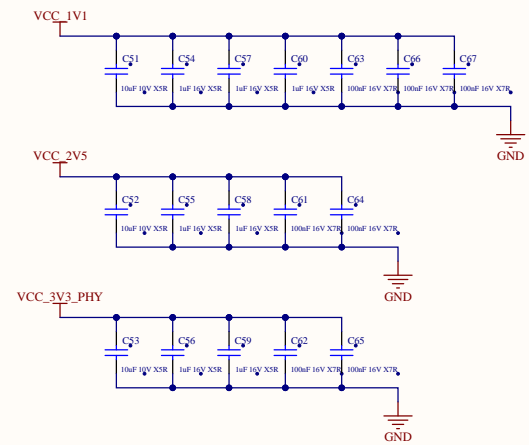
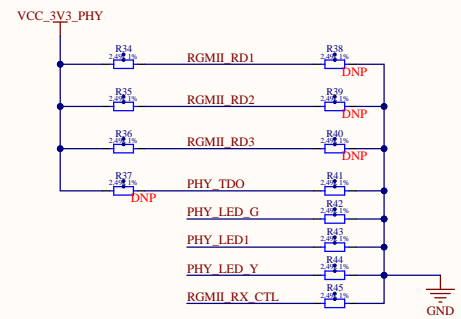
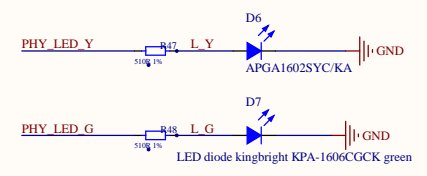
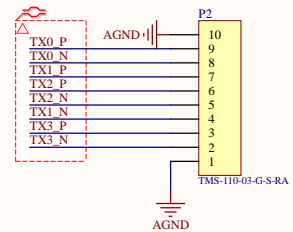
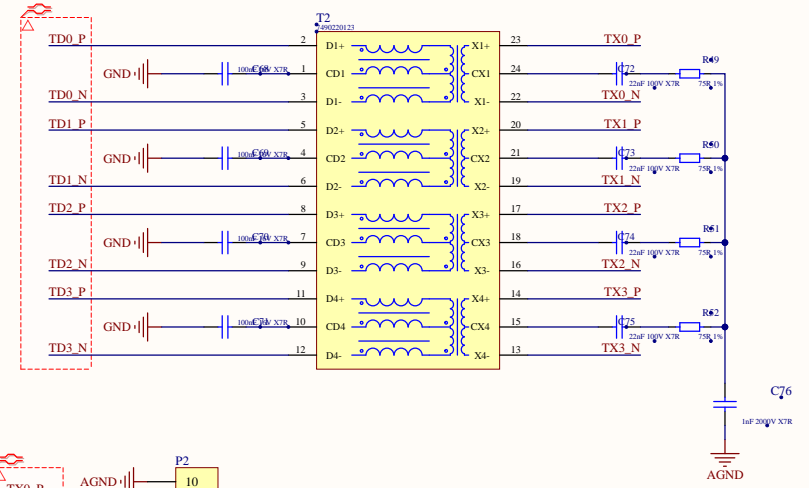
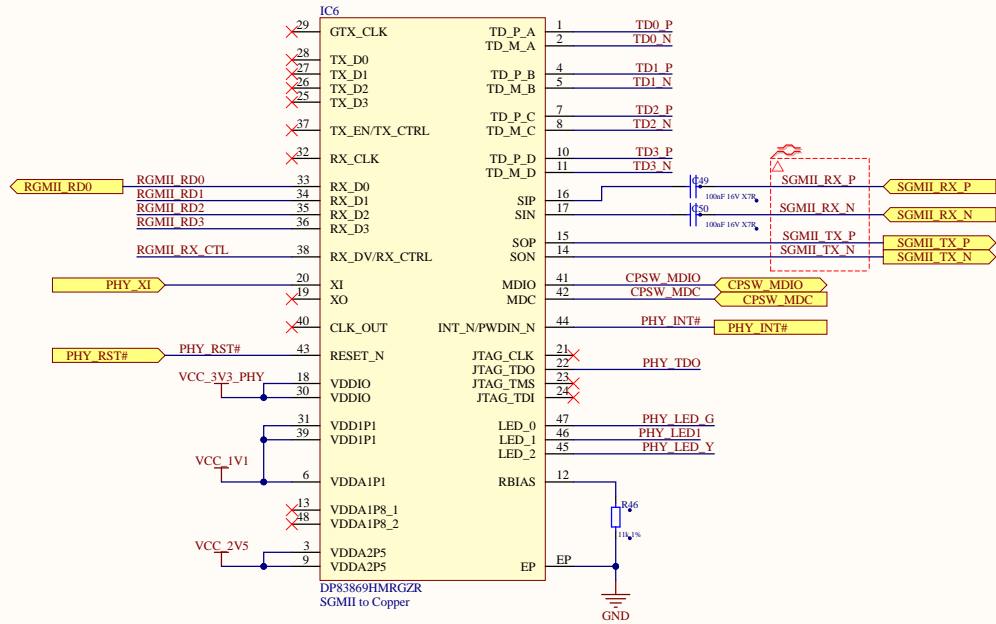


Project title			Variant <b>[No Variations]</b>
Title			Drawn:
SKU			Checked:
Size: A3			Approved:
Number: 4	Revision:		
Date: 17.05.2023	Time: 07:45:46	Sheet 4 of 7	
File: BBDQA_GATEWAY - ETH.SchDoc			



Project title			Variant <b>[No Variations]</b>
Title			Drawn:
SKU			Checked:
Size: A3			Approved:
Number: 6	Revision:		
Date: 17.05.2023	Time: 07:45:50	Sheet 6 of 7	
File: BBDAQ_GATEWAY - PHY GbE.SchDoc			

