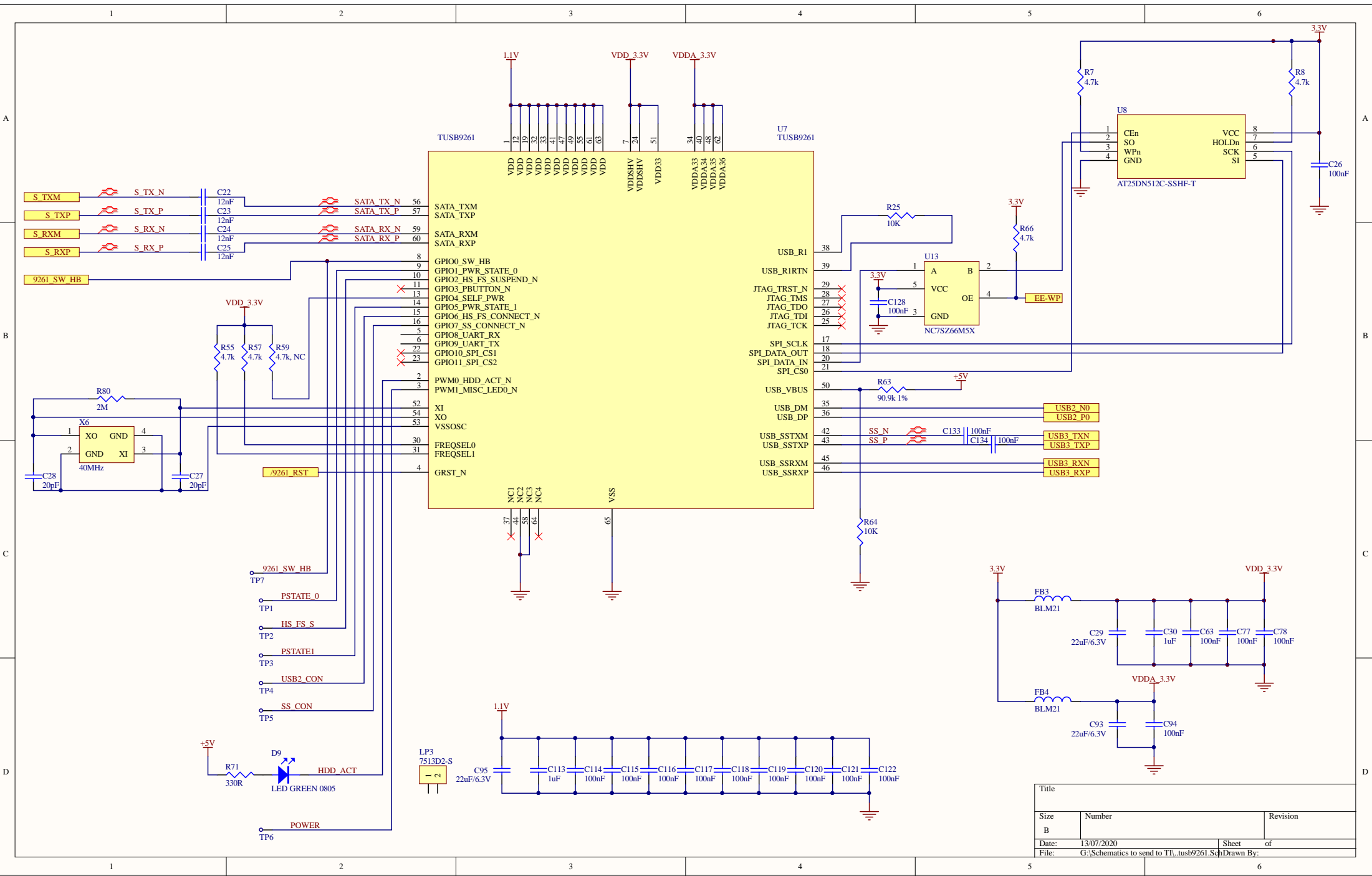


Notes:
 1. All differential pairs are to be routed 85 to 95 ohms differential and 50 ohms common mode. All other traces are to be routed 50ohm.
 2. I2C address is 0x47 (with ADDR tied to GND)

Note: HD3SS3220 and Eval Board have P and N swapped for TX1 and RX1

Note: Even though signals, CSBU1/2 are not used, they are still ESD protected.

Title		
Size	Number	Revision
A3		
Date:	13/07/2020	Sheet of
File:	G:\Schematics to send to TI_usb3typeC\SD	
		Drawn By:



Title		
Size	Number	Revision
B		
Date:	13/07/2020	Sheet of
File:	G:\Schematics to send to TI\...tusb9261.Sch Drawn By:	