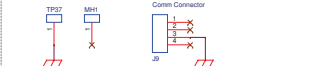
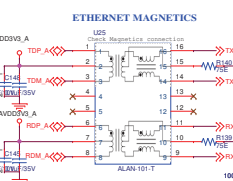
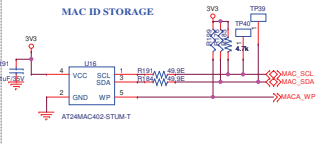
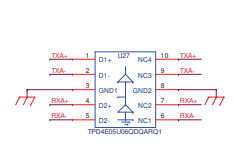
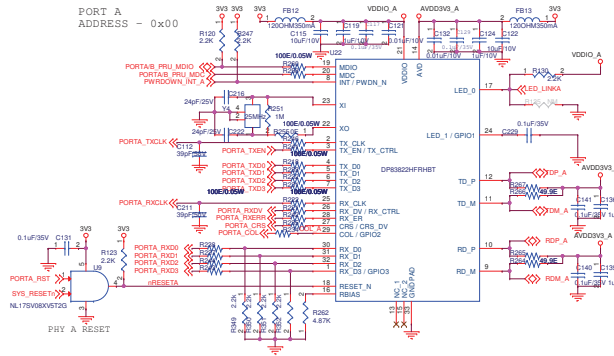
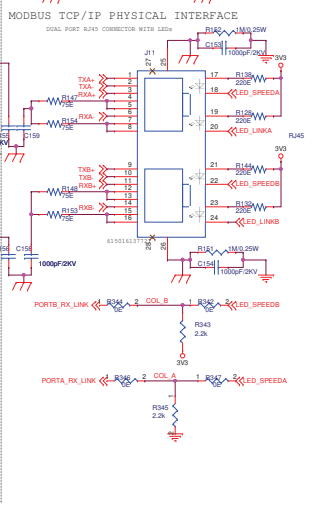
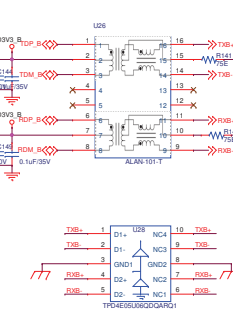
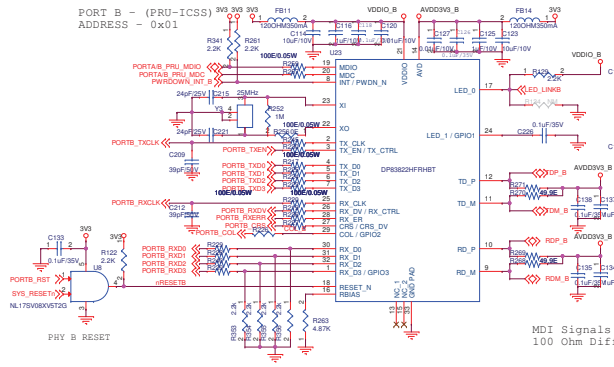


PORT A
ADDRESS - 0x00



PORT B - (PRU-ICSS)
ADDRESS - 0x01



MDI Signals are
100 Ohm Differential Signals