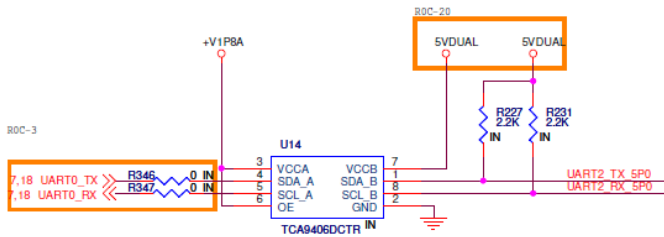


RS485 Issue

RS485 Schematic

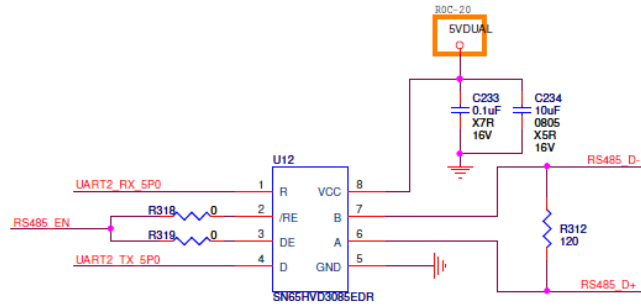
UART level shift



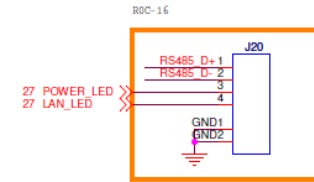
Level Translation Range

- 1.8 V to 2.5 V/3.3 V/5 V
- 2.5 V to 2.5 V/3.3 V/5 V
- 3.3 V to 3.3 V/5 V

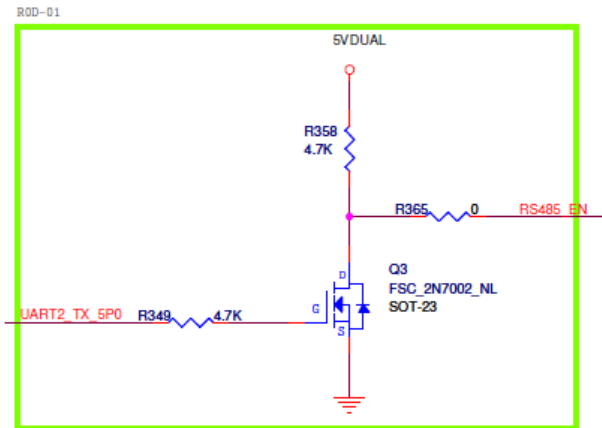
UART to RS485



RS485_EN
0=Receiver
1=Driver

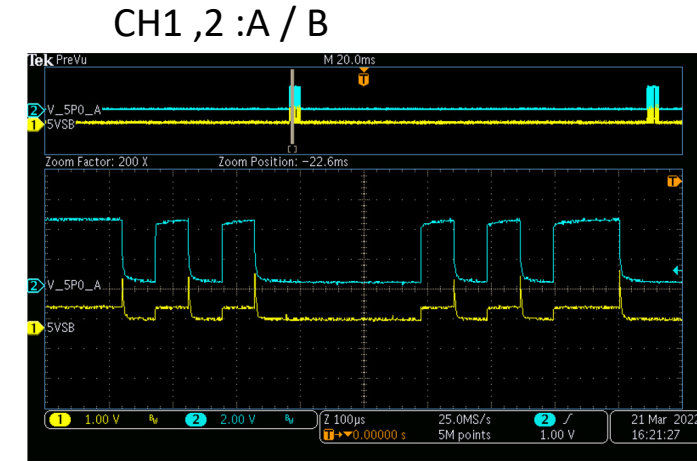
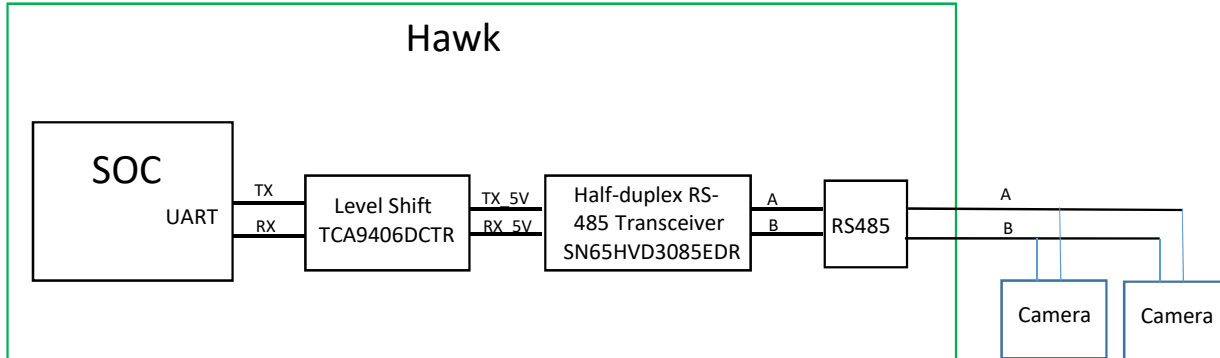


Automatic Data Direction Control



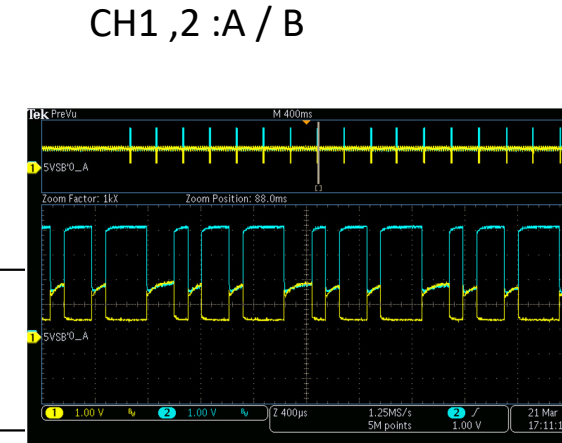
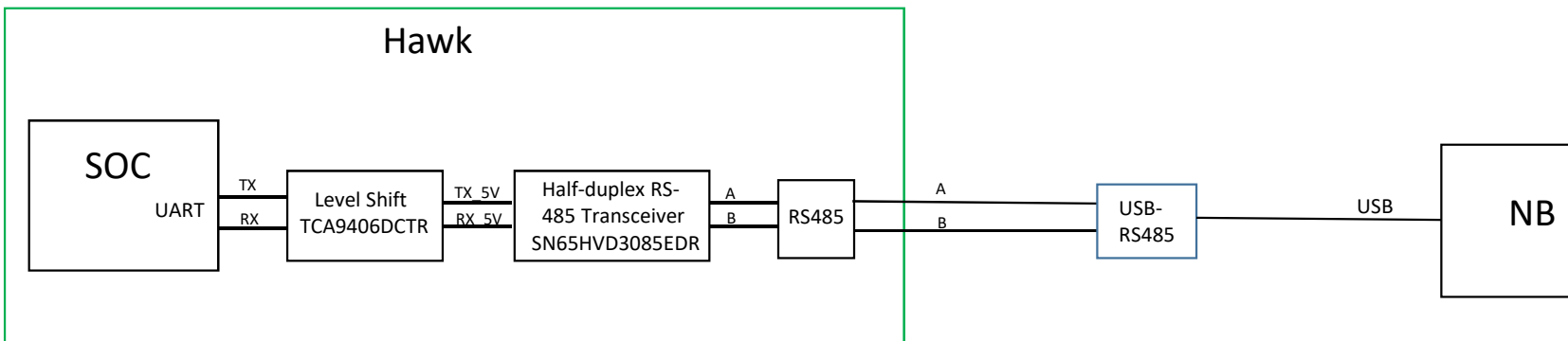
CFG1: **NG**

Original UART-RS485 can't detect Camera



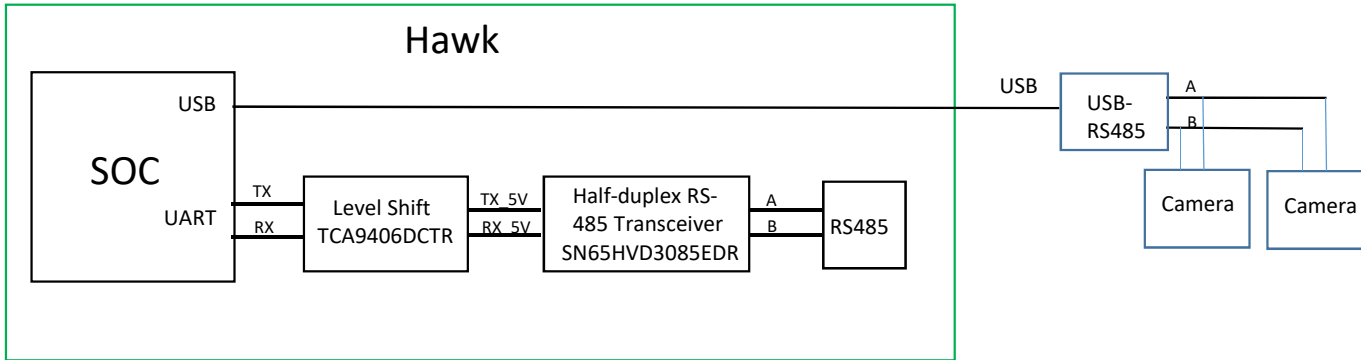
CFG2: **OK**

Original UART-RS485 can communicate with NB

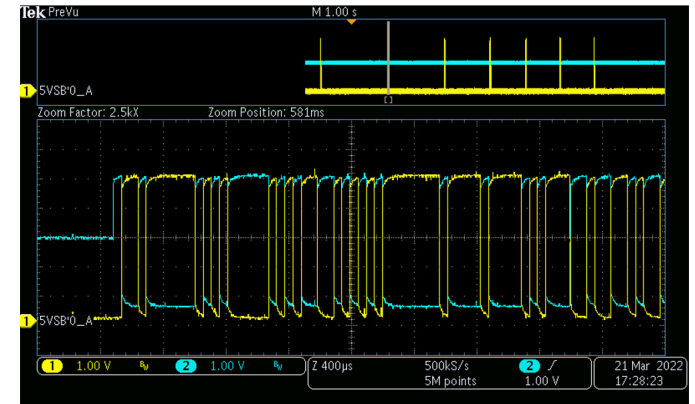


CFG3: OK

USB-RS485 can detect Camera

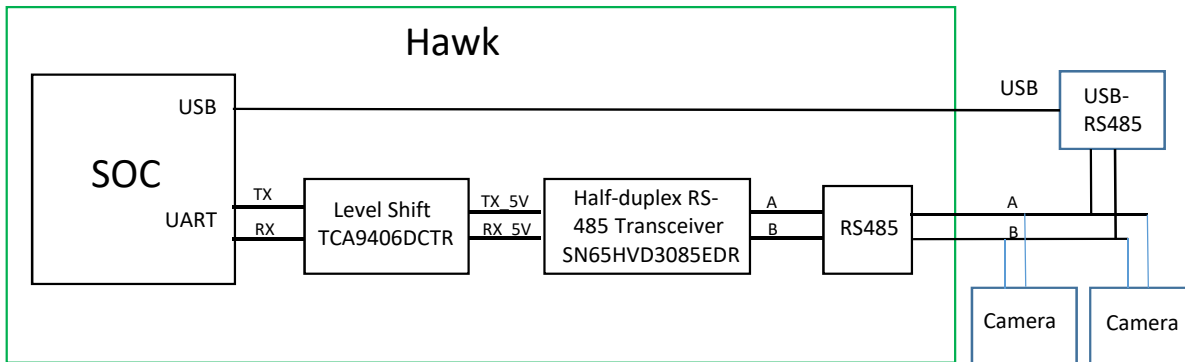


CH1,2 :A / B



CFG3: OK

Original UART-RS485 can detect Camera



CH1,2 :A / B

