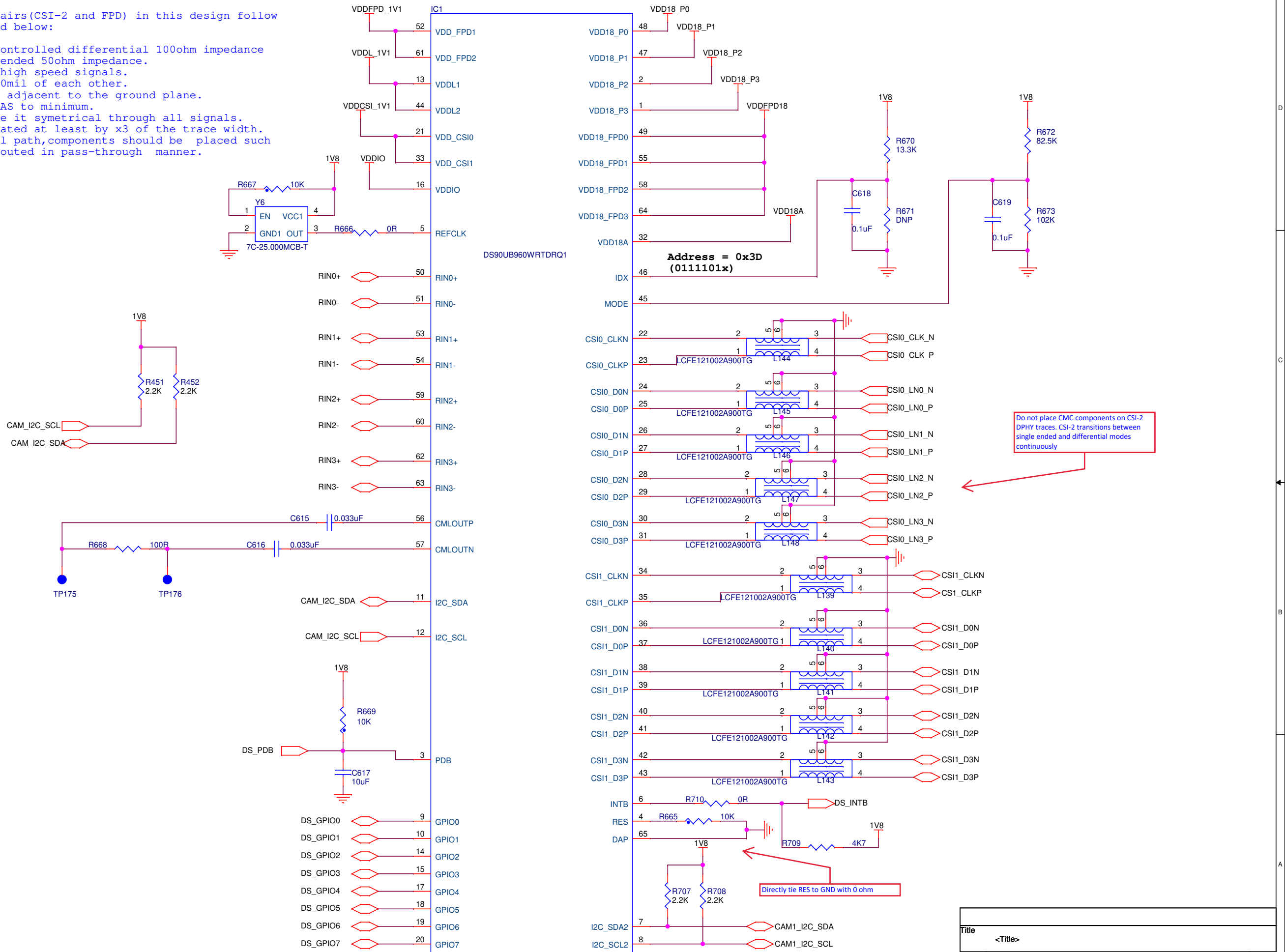


FOR DEVICE MODE CCI BE PULLED UP WITH 56K  
FOR HOST MODE CCI MUST BE PULLED DOWN WITH 5.1K

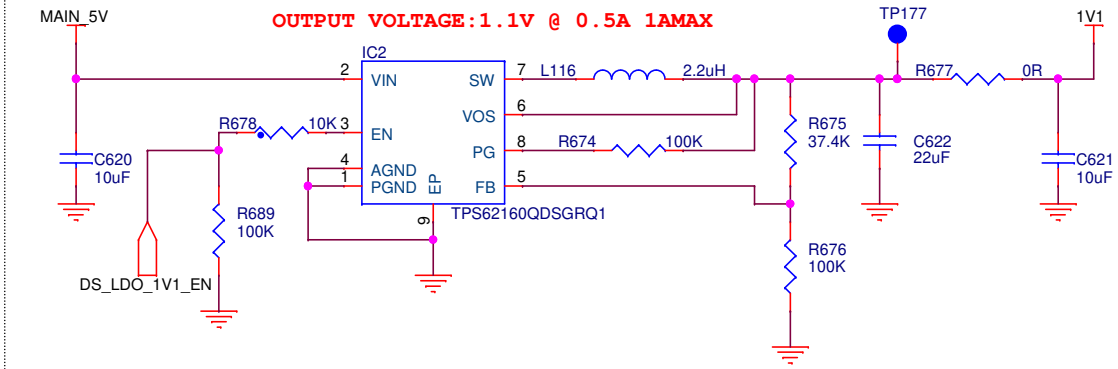
Layout Guidelines

For all differential pairs(CSI-2 and FPD) in this design follow the guidelines described below:

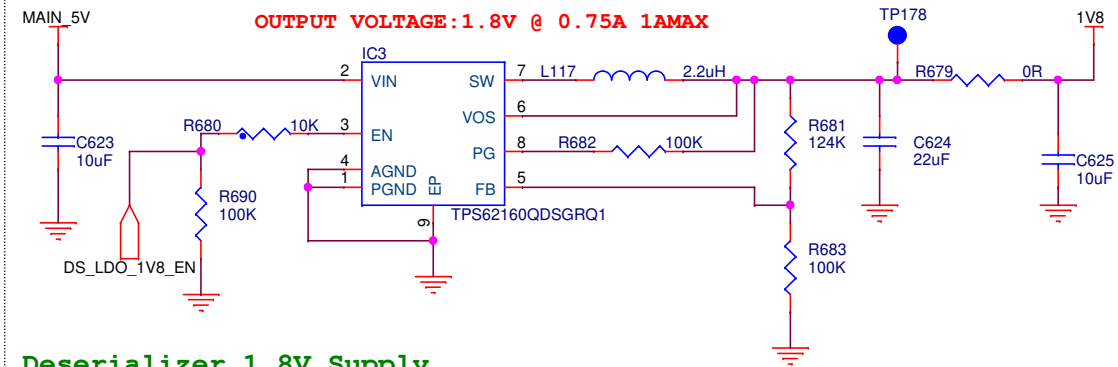
- \*Route together with controlled differential 100ohm impedance and controlled single ended 50ohm impedance.
- \*Keep away from other high speed signals.
- \*Keep lengths within 10mil of each other.
- \*Keep traces on layers adjacent to the ground plane.
- \*Keep the number of VIAS to minimum.
- \*If VIAS are used, make it symmetrical through all signals.
- \*Keep diff pairs separated at least by x3 of the trace width.
- \*NO STUBS on the signal path, components should be placed such that the signals can be routed in pass-through manner.



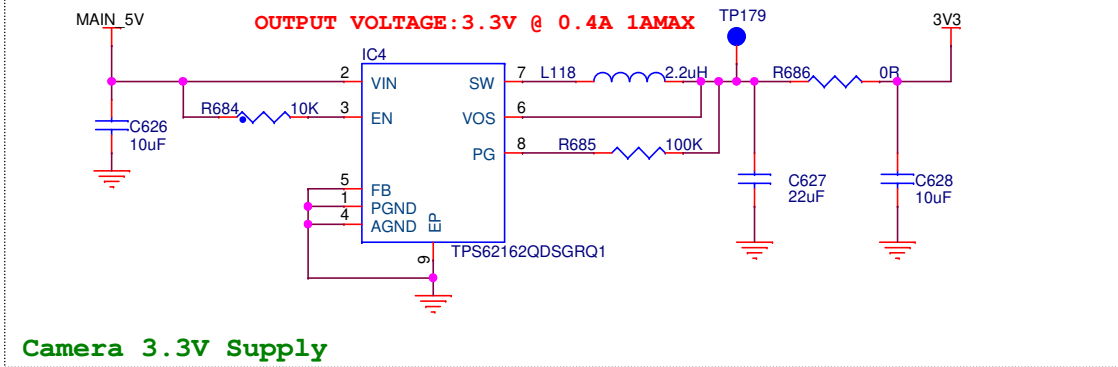
Title		
<Title>		
Size	Document Number	Rev
A3	<Doc>	00
Date:	Wednesday, November 22, 2023	Sheet 1 of 1



**Deserializer 1.1V Supply**

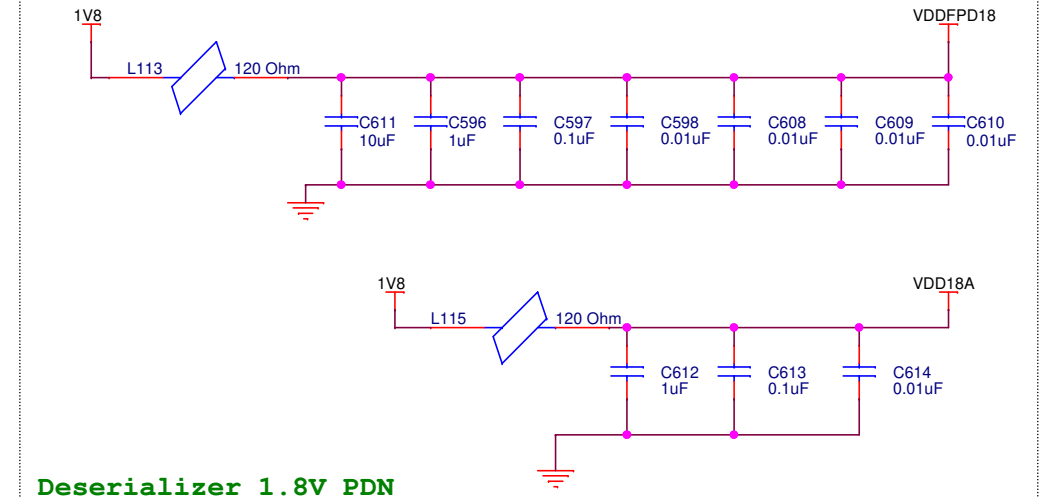
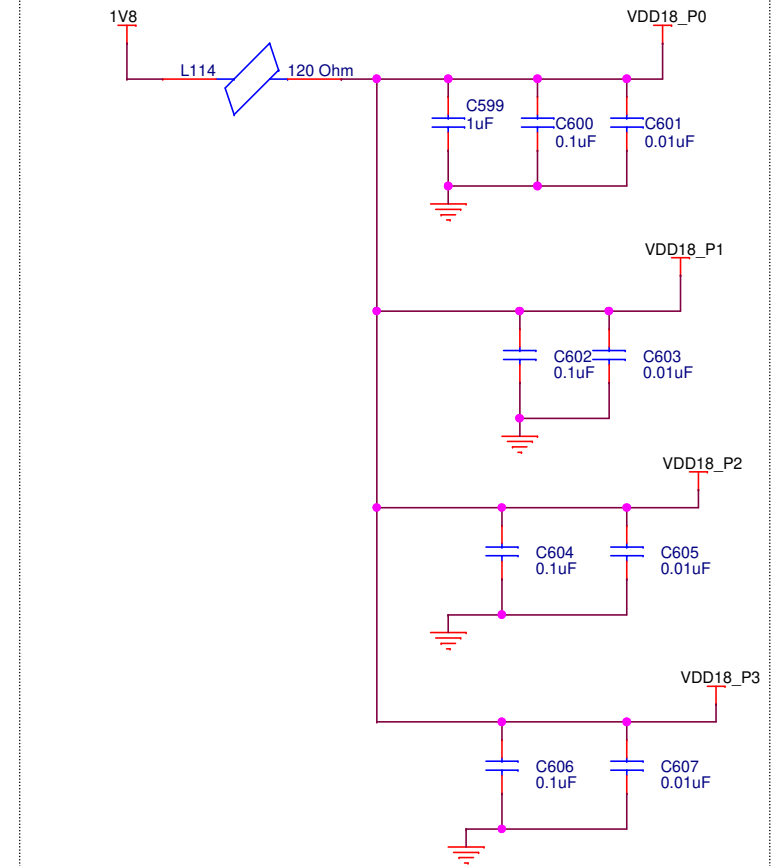
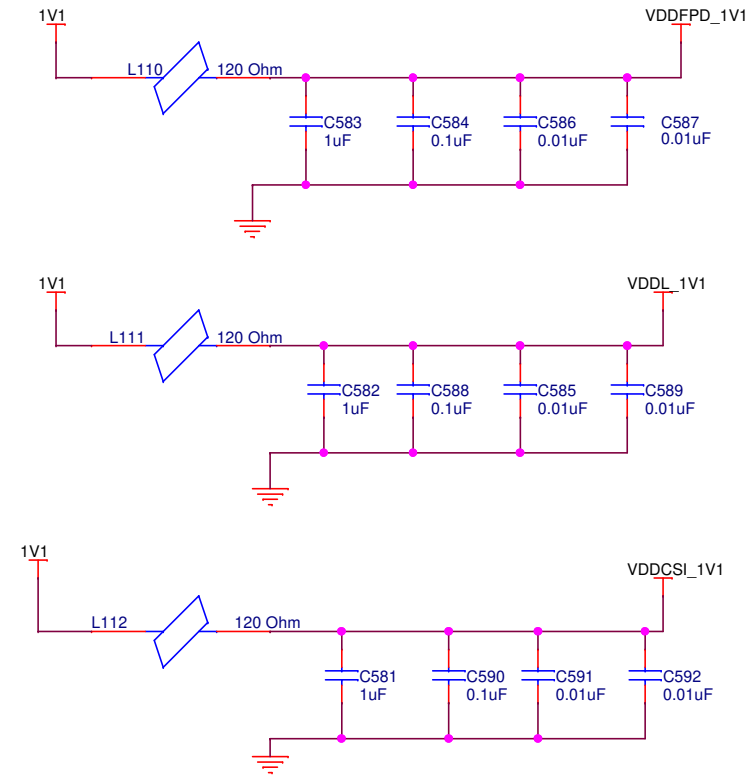


**Deserializer 1.8V Supply**

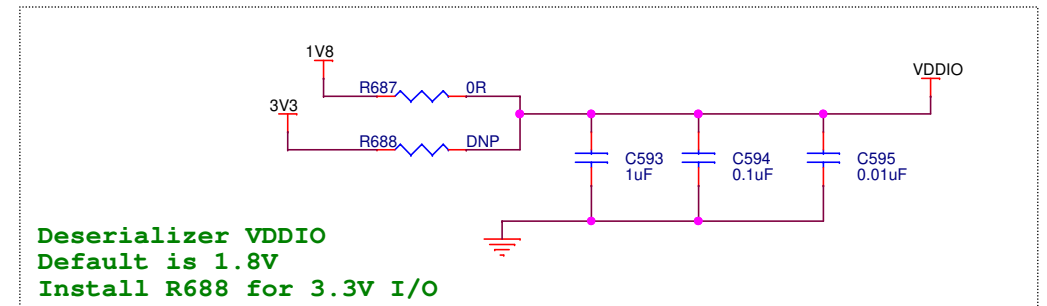


**Camera 3.3V Supply**

**Deserializer 1.1V PDN**

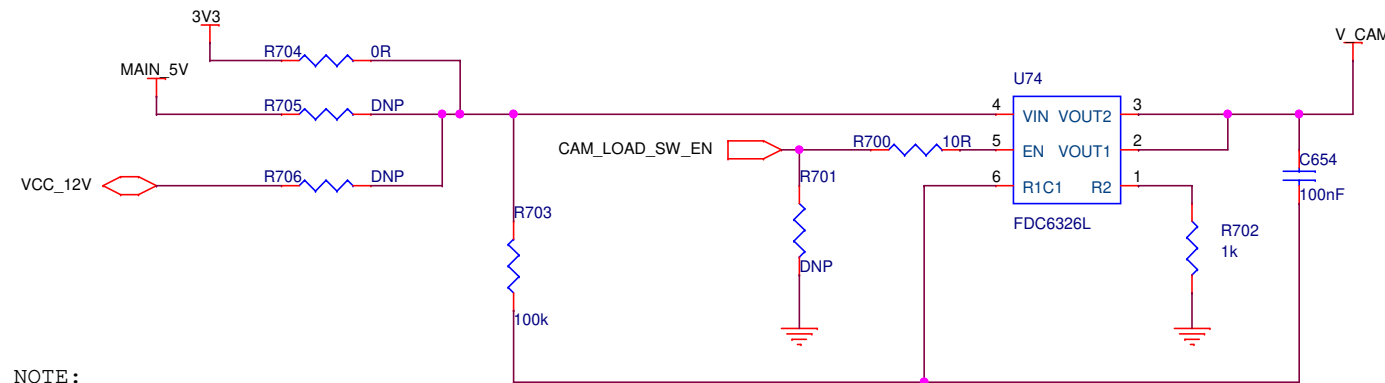


**Deserializer 1.8V PDN**



**Deserializer VDDIO**  
Default is 1.8V  
Install R688 for 3.3V I/O

**LOAD SWITCH : CAMERA POWER DISTRIBUTION**

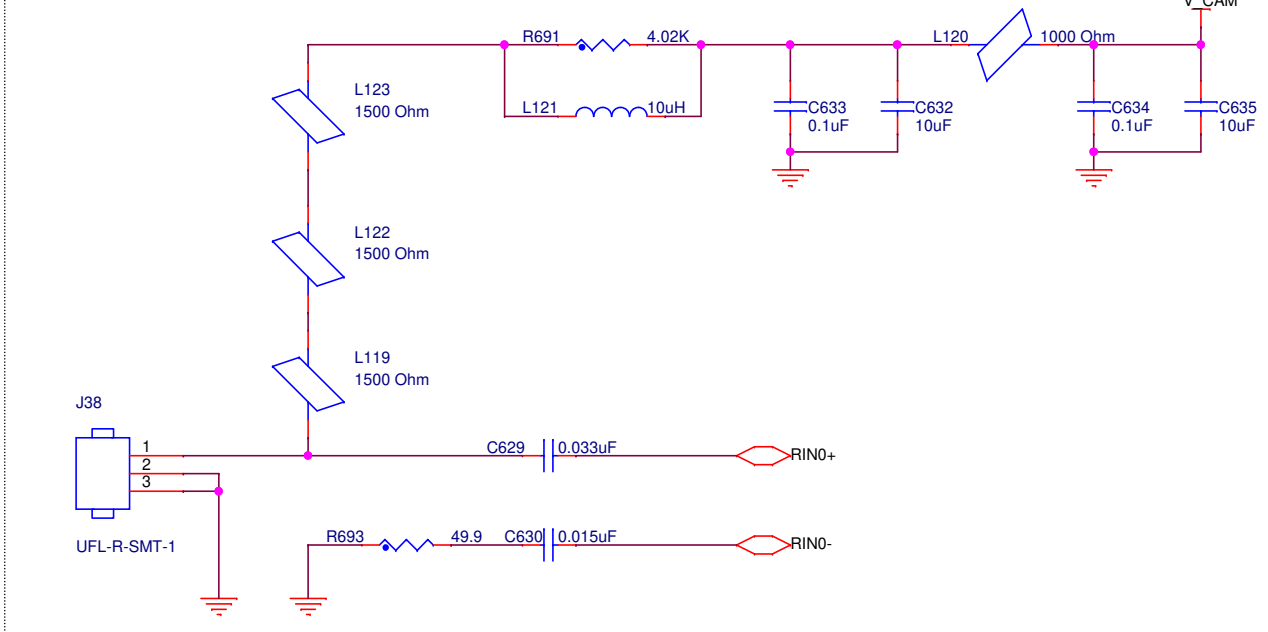


NOTE:  
DEFAULT VIN = 3.3V  
INSTALL R705 : VIN = 5V  
INSTALL R706 : VIN = 12V

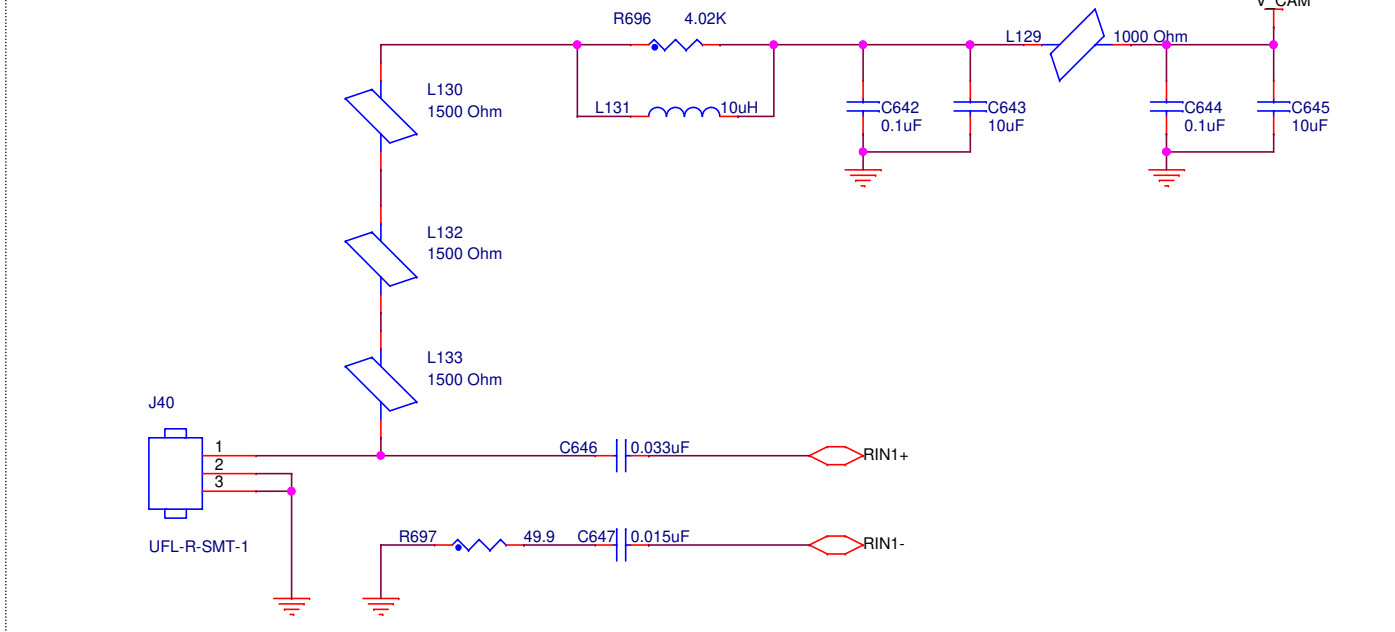
**NEVER INSTALL ALL THE RESISTORS AT THE SAME TIME!!**

Title		<Title>
Size	Document Number	Rev
A3	<Doc>	<RevCode>
Date:	Wednesday, November 22, 2023	Sheet 1 of 1

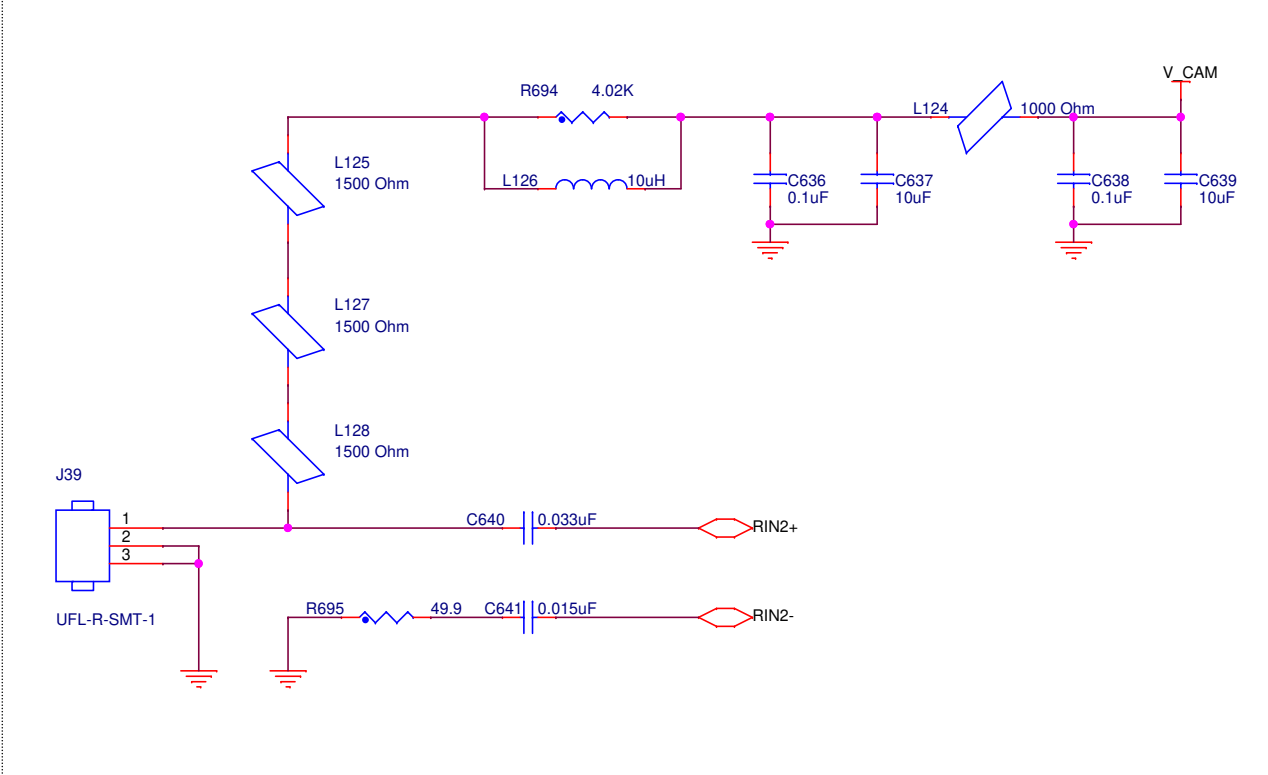
CAMERA : 1



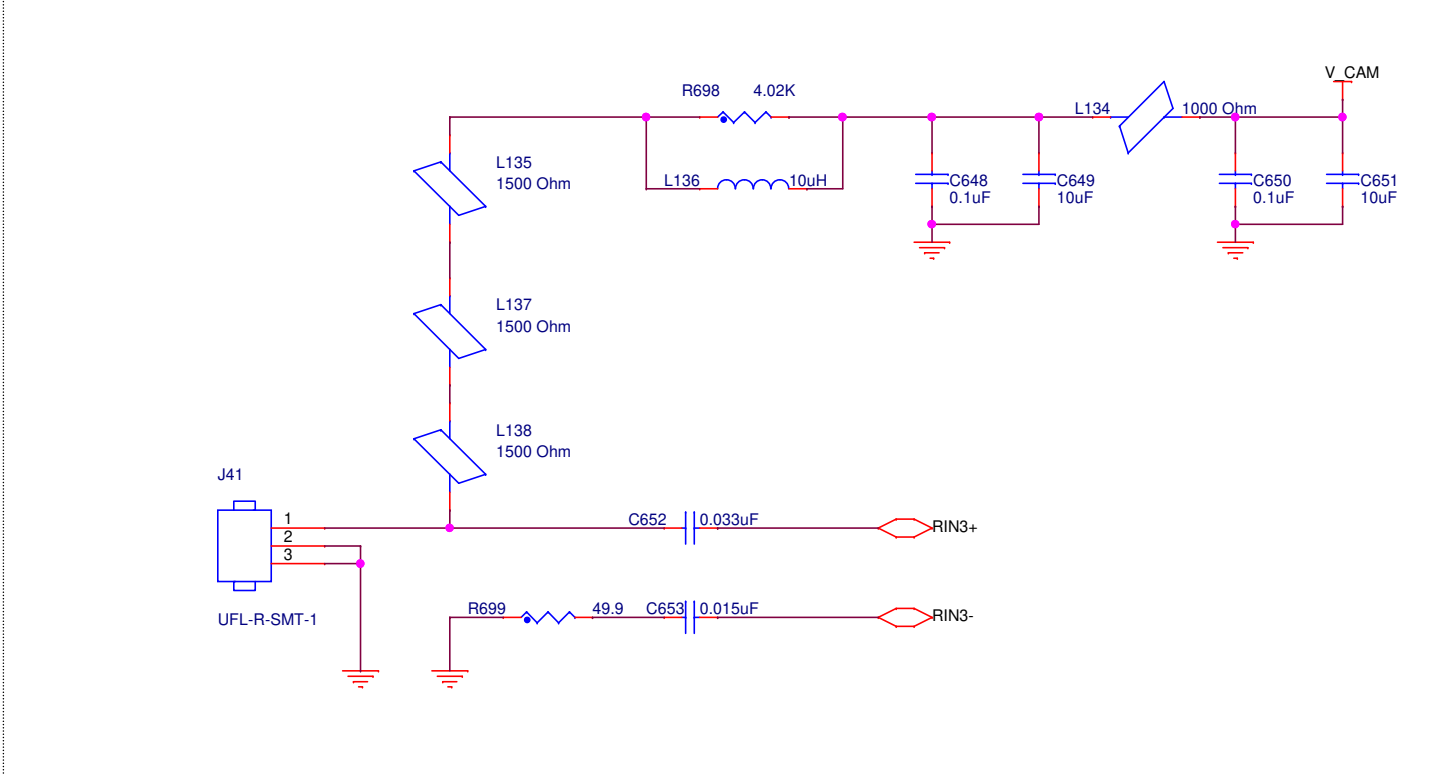
CAMERA : 2



CAMERA : 3



CAMERA : 4



Title		
CAM CONNECTIONS		
Size	Document Number	Rev
A3	<Doc>	1.0
Date:	Wednesday, November 22, 2023	Sheet 1 of 1