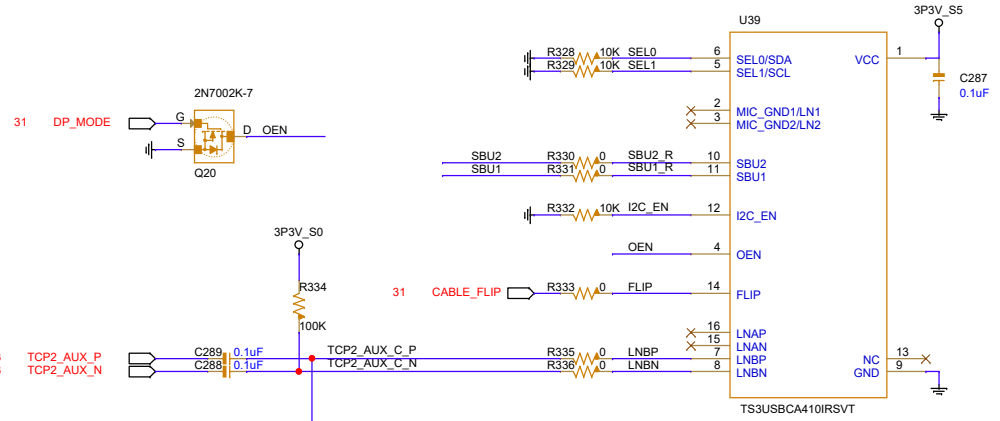
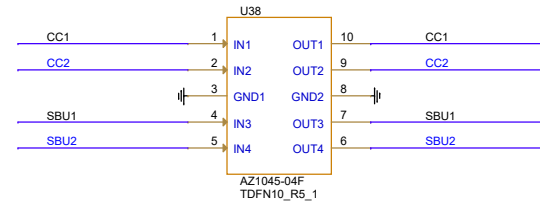
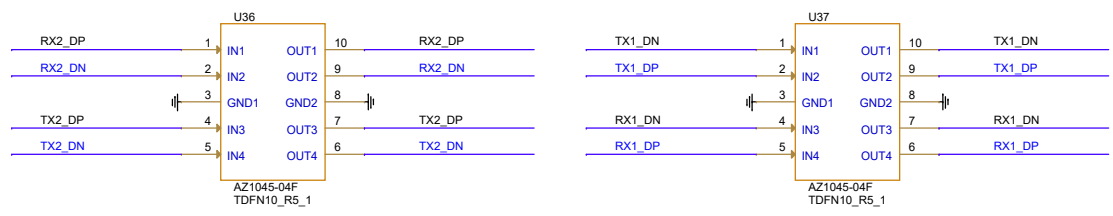
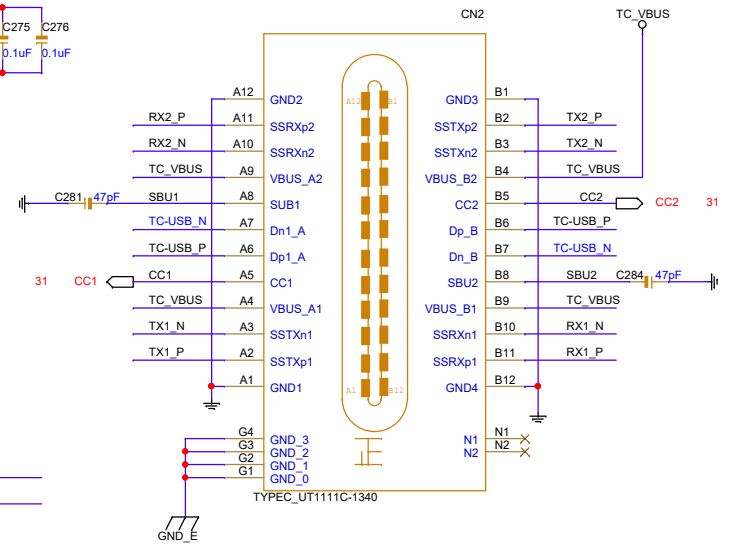


USB Type C



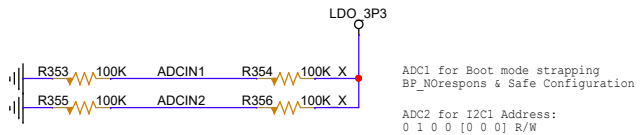
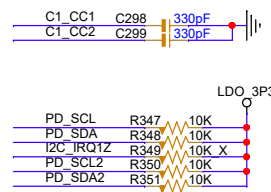
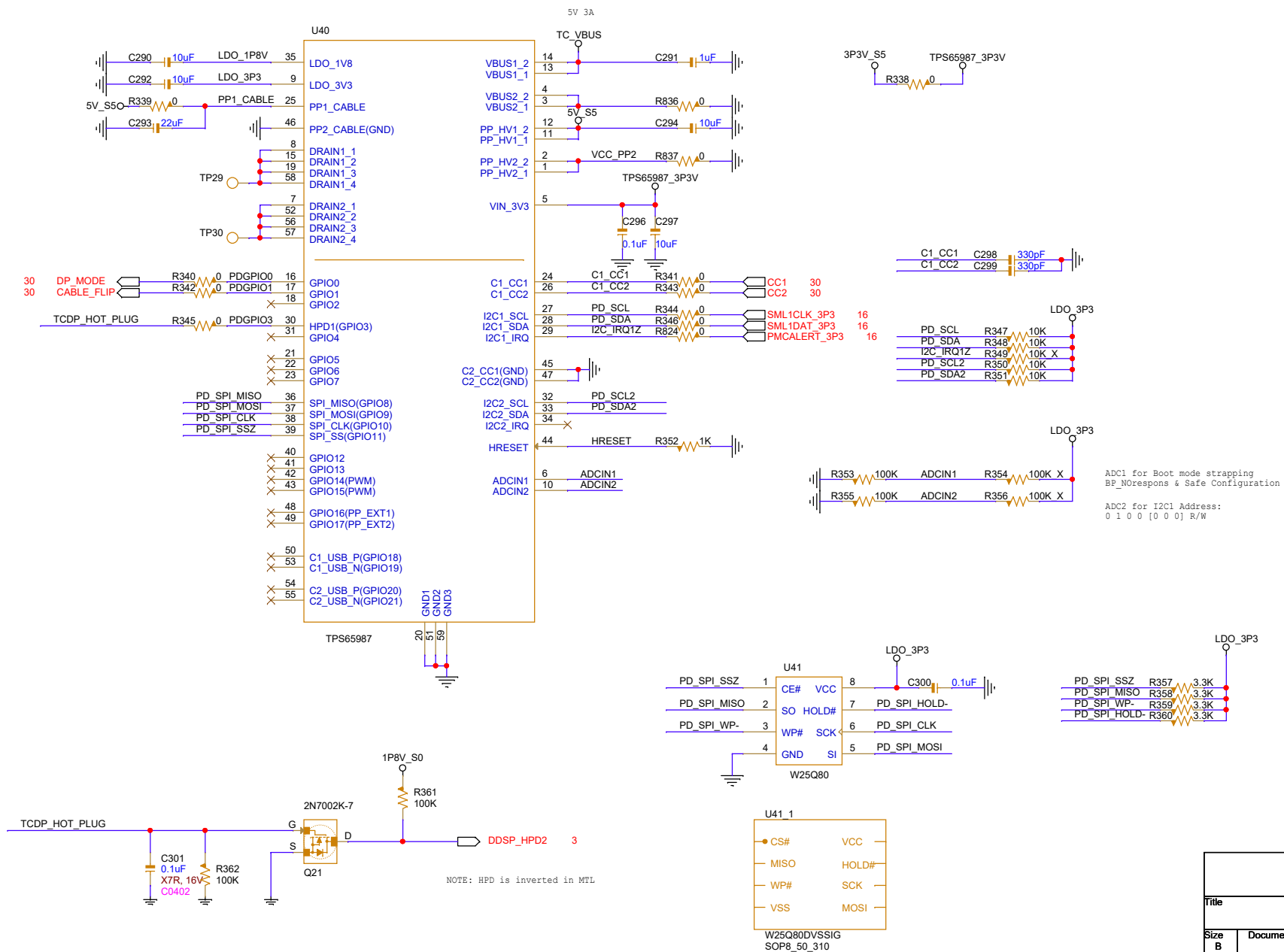
DP_MODE
Asserted high when data connection is DisplayPort (either 4Lane mode or 2- Lane+USB3 mode).
Asserted low when Type-C port is disconnected or DisplayPort mode is not active.

CABLE_FLIP
Asserted high when plug is connected upside-down.
Asserted low when the plug is connected upside-up or disconnected.

Table 3. TS3USBCA410 Switch Configuration Truth Table⁽¹⁾

{SWSEL[1:0], FLIPSEL} (I ² C-Configuration Mode)	{SEL1, SEL0, FLIP} (Pin-Configuration Mode)	Input Pin	Output Pin
000	LLL	SBU1	LnBp
		SBU2	LnBn
001	LLH	SBU1	LnBn
		SBU2	LnBp
010	LHL	SBU1	MIC_GND1/Ln1
		SBU2	MIC_GND2/Ln2
011	LHH	SBU1	MIC_GND1/Ln1
		SBU2	MIC_GND2/Ln2
100	HLL	SBU1	
		SBU2	
101	HLH	SBU1	
		SBU2	
110	HHL	SBU1	LnAp
		SBU2	LnAn
111	HHH	SBU1	LnAn
		SBU2	LnAp





31-USB Type C PD controller		
Size B	Document Number	Rev R0.1
SBC-7133		
Date:	Thursday, February 29, 2024	Sheet 31 of 63