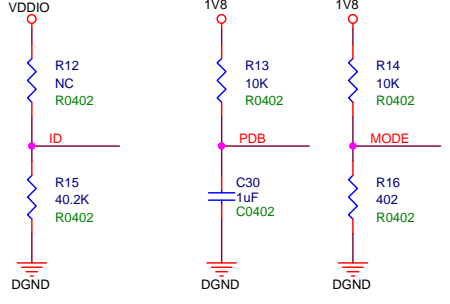


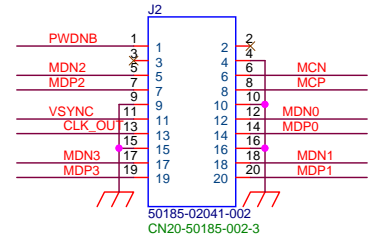
CSI-2 Synchronous mode - FPD-Link III
Clock reference derived from deserializer.

IDX

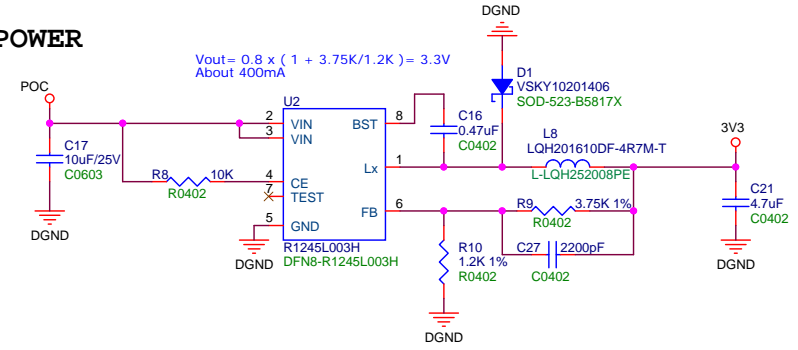
V	RHIGH (kΩ)	RLOW (kΩ)
1	0	Open 40.2 0x30 0x18 1.8 V
2	0.385	180 47.5 0x32 0x19 1.8 V
3	1.015	82.5 102 0x30 0x18 3.3 V
4	1.223	68.1 137 0x32 0x19 3.3 V



MODE
10k 402 CSI-2 Synchronous
10k 4.78k CSI-2 Non-synchronous



POWER



$$V_{out} = 0.8 \times (1 + 3.75K/1.2K) = 3.3V$$

About 400mA

