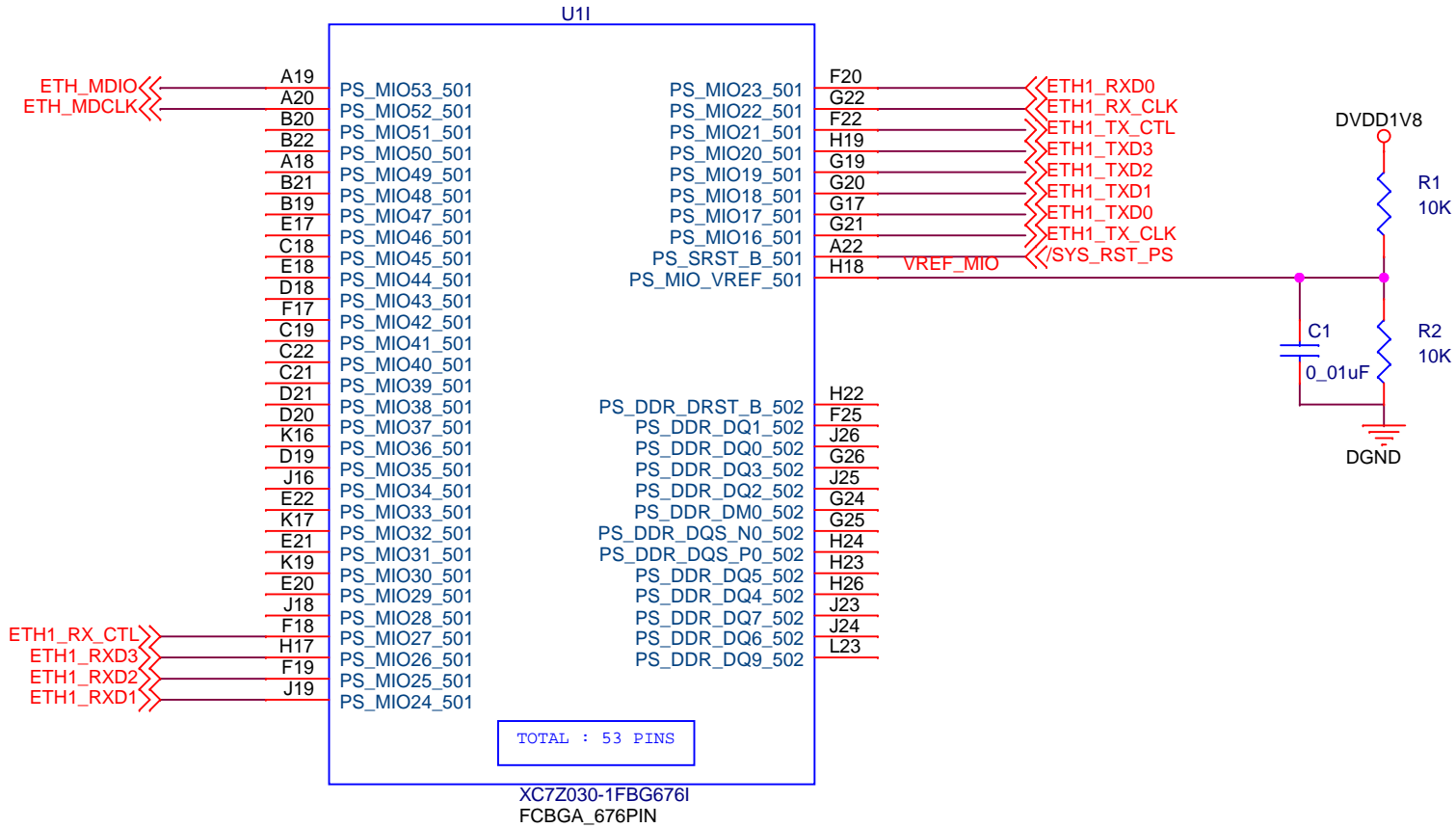


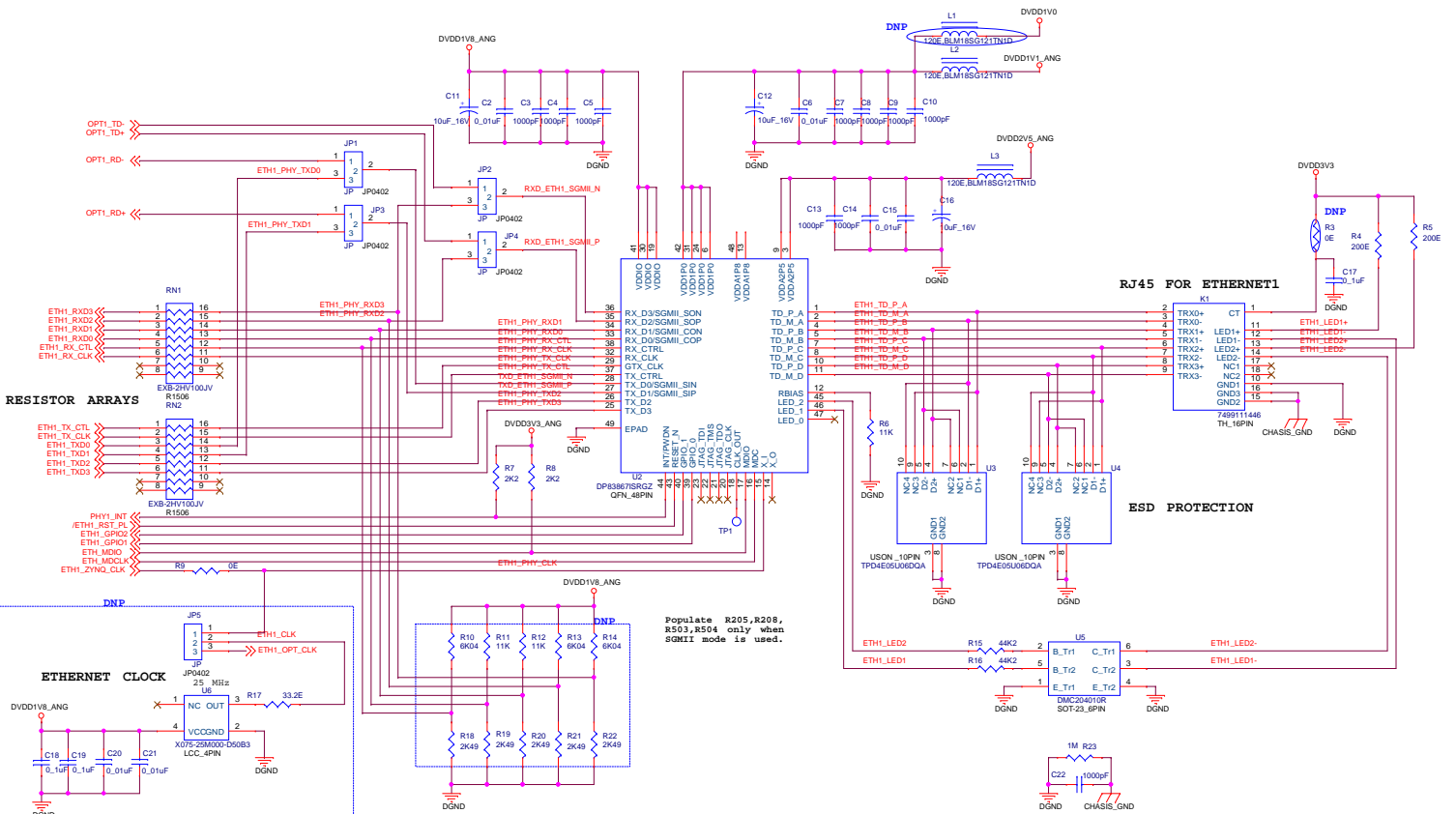
ZYNQ PS SECTION-1



Note: DNP:- Do not populate

<OrgName>		
<OrgAddr1>		
Title		
ZYNQ PS SECTION-1		
Size	Document Number	Rev
A	<Doc>	<RevCode>
Date:	Thursday, September 14, 2017	Sheet 1 of 3

GIGABIT PHY SECTION



Note: DNP:- Do not populate

PHY ADDRESS CONFIGURATION

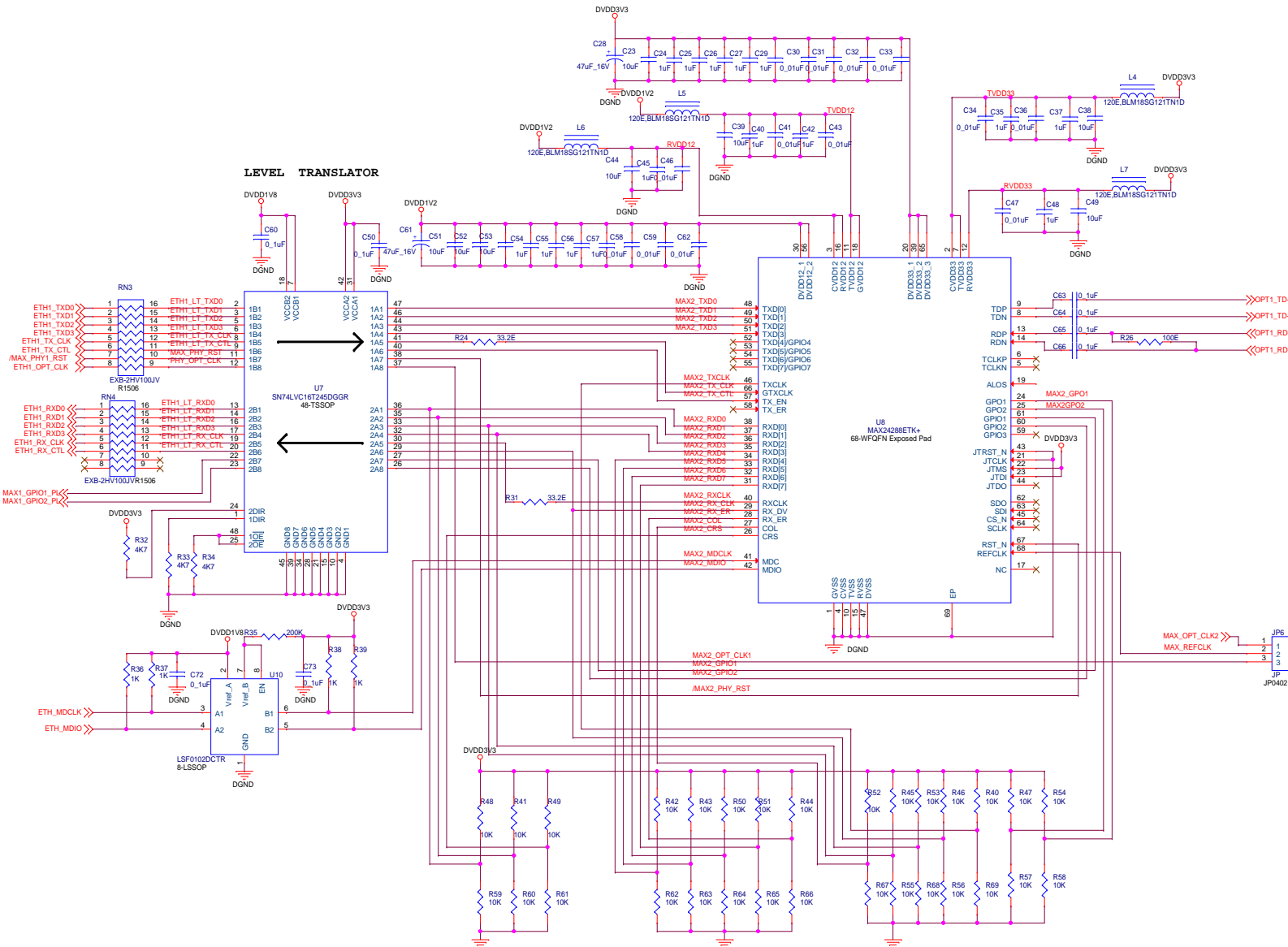
Mode	Pull Up	Pull Down	ADDR[3:2]	ADDR[1:0]
1	OPEN	OPEN	00	00
2	11k ohms	2.49k ohms	01	01
3	6.04k ohms	2.49k ohms	10	10
4	2.49k ohms	OPEN	11	11

RGMII and SGMII Jumper Pin Configuration

Jumper	Pin 1 to 2	Pin 2 to 3
JP1	SGMII_SIN	SGMII_TXD0
JP2	SGMII_SOP	SGMII_RXD3
JP3	SGMII_SIP	SGMII_TXD1
JP4	SGMII_SOP	SGMII_RXD2

Populate R205, R208, R503, R504 only when SGMII mode is used.

Place 0 Ohms in place of 1 M Ohms to make Connector body as System GND



Parallel Interface: 100Mbps, RXD1=1, RXD0 = 0
 RGMII, CRS = 1
 PHY ADDRESS: 00100
 RESET Config: 15 pin mode, COL = 0
 Serial Interface: 1000BASE-EX, GP02 = 1
 REFCLKx: 25MHz, RXD3 = 1, RXD2 = 0
 Auto-negotiation: Enabled, RX_CTL = 1
 TXCLK Enable: High impedance, TXCLK = 0
 GPIO1 Config: High Impedance, GP01 = 0

CONFIGURATION SETTINGS

Note: DNP:- Do not populate

Title		MAX24288 GBn MAC	
Size	C	Document Number	<Doc>
Date:	Thursday, September 14, 2017	Sheet	3 of 3