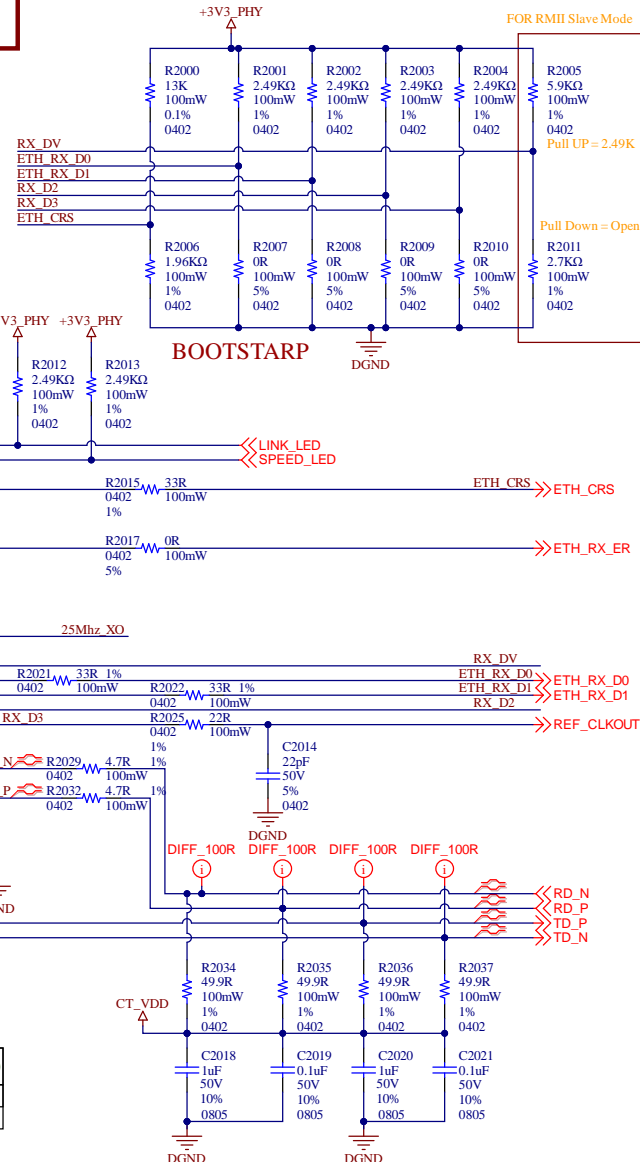
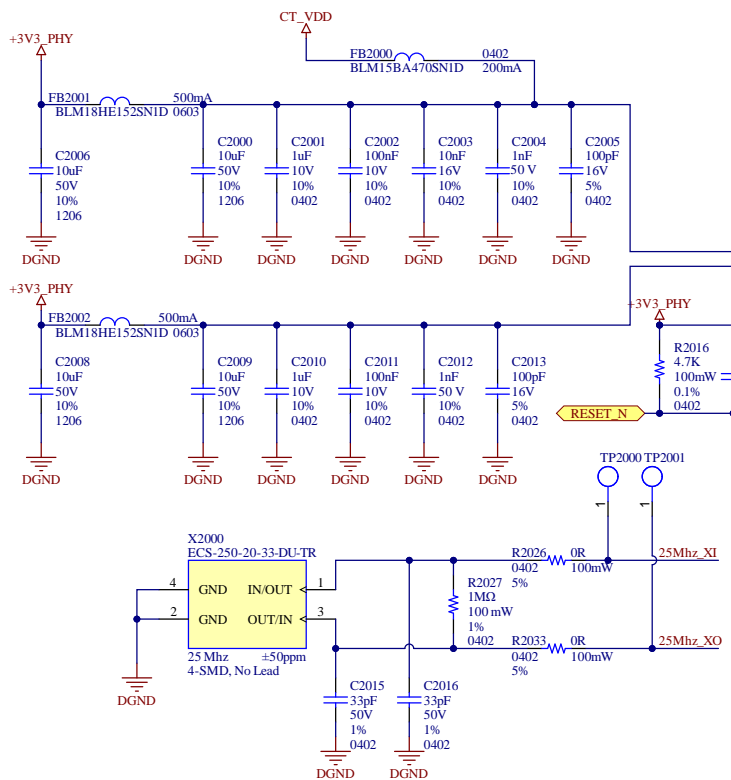


DP83822IRHBT (ETHERNET) INTERFACE

RX_DV	RMII MODE ENABLE
RX_D0	PHY_AD1='1' & AN_1='1'
RX_D1	PHY_AD2='1'
RX_D2	PHY_AD3='1'
RX_D3	PHY_AD4='1' & Auto-Negotiation Enable

Mode 3 for RMII 25 Ref Clock



RMII Mode	R2025	R2030	R2020
Master	Mount	Open	Open
Slave	Open	Mount	Mount

RJ45 CONNECTOR INTERFACE

