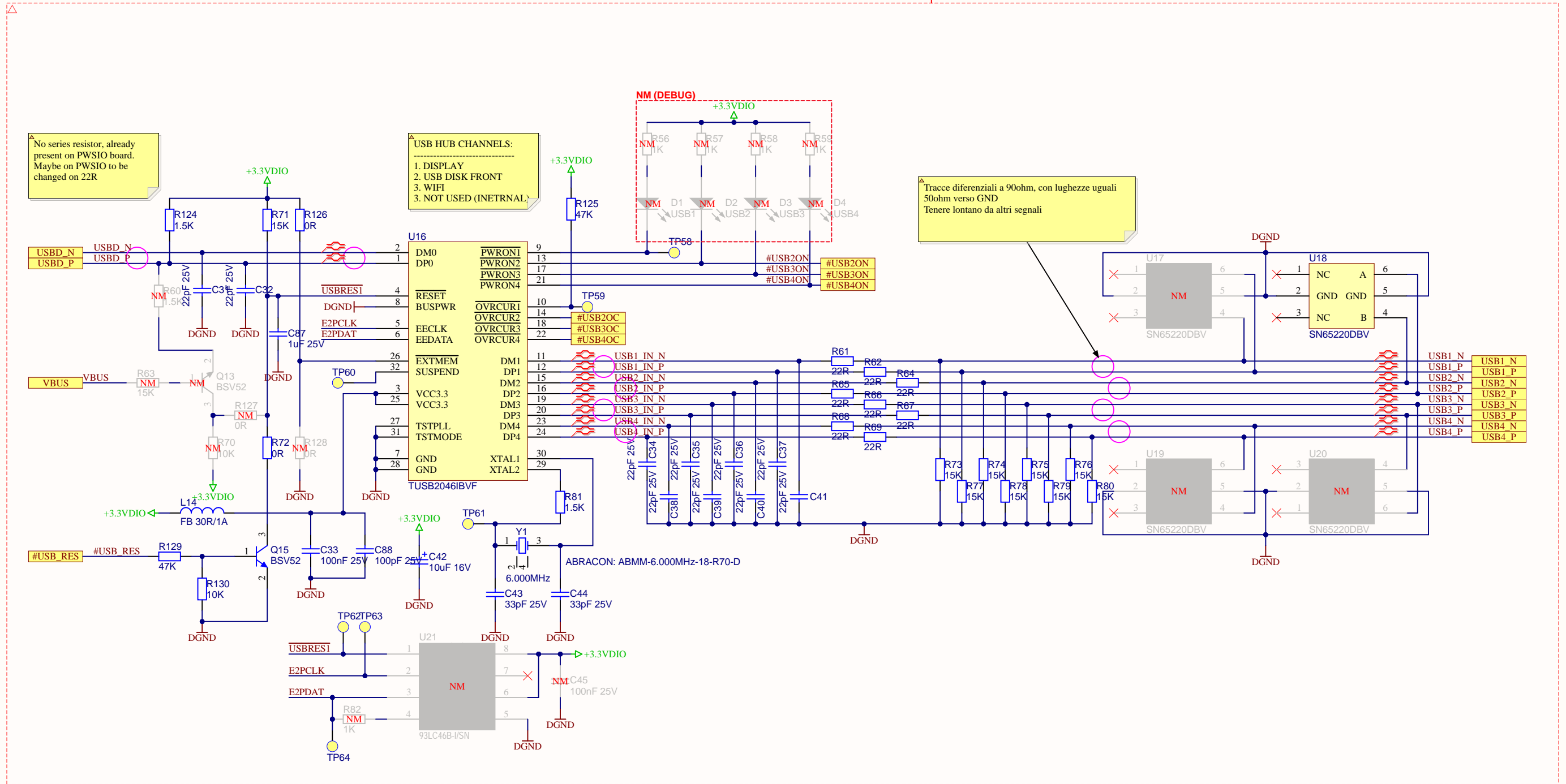


# 4. USB HUB

ClassName: Micro  
Net Class



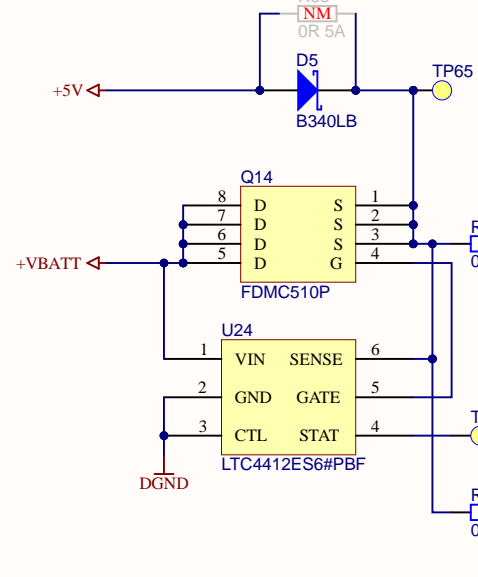
Revision	Date	Description

Title <b>USB HUB</b>			Algodue Elettronica Srl Via P.Gobetti 16/F 28014-Maggiora (NO) - ITALY www.algodue.com ISO Code: <b>88P224067</b>	
Size: A3	Number: SCH22-007	Revision: 5		
Date: 19/05/2022 Variant: P4K-GW (24M00) 4 of 6				
File: IO4K-R5_4_USB.SchDoc				

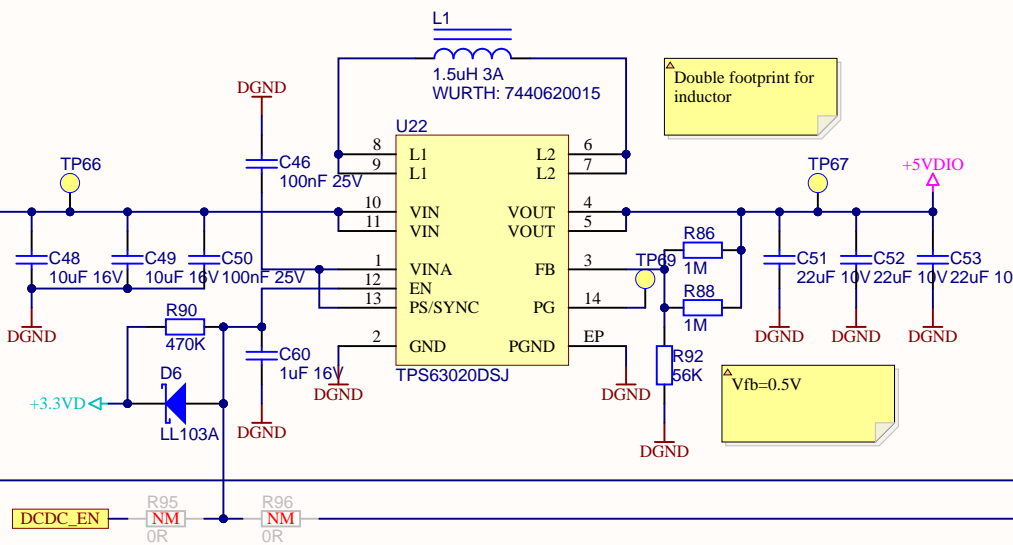


# 5. POWER

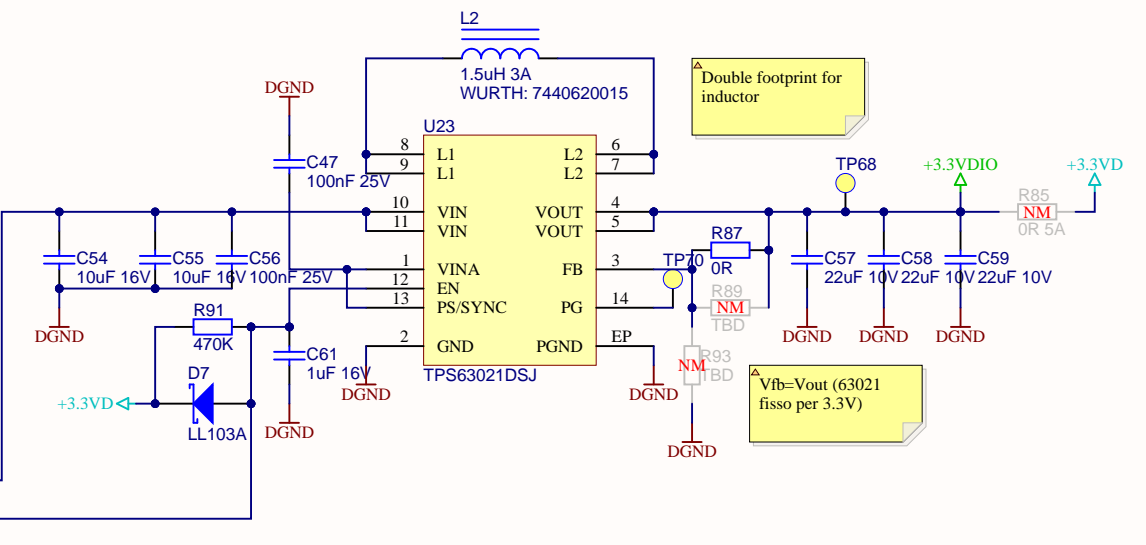
## POW SWITCH



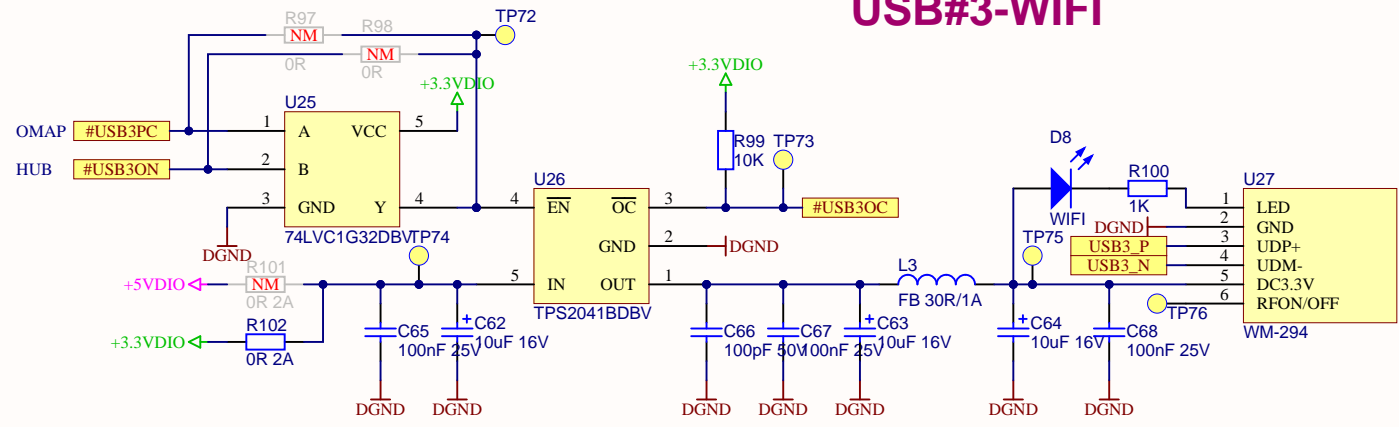
## 5V STEPUP/DOWN



## 3.3V STEPUP/DOWN



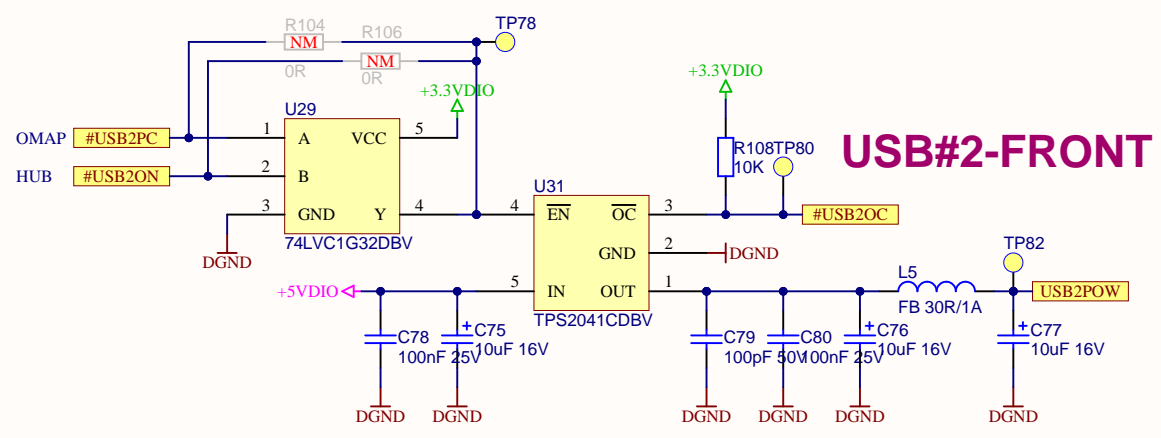
## USB#3-WIFI



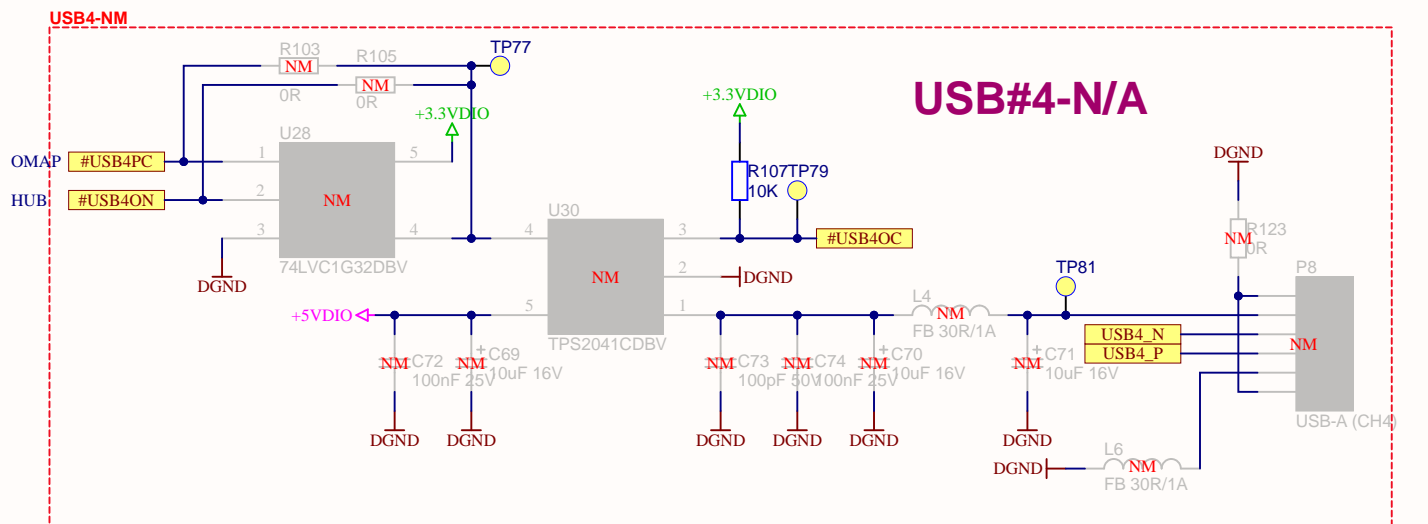
## USB#1-DISP

- USB HUB CHANNELS:
  - DISPLAY
  - USB DISK FRONT
  - WIFI
  - NOT USED (INETRNL)
- TPS2041 power switches 5V power lines for 1A!

## USB#2-FRONT



## USB#4-N/A



ClassName: Micro  
Net Class

Revision	Date	Description	Title	Algodue Elettronica Srl	
			<b>POWER</b>	Via P.Gobetti 16/F	
			Size: A3	Number: SCH22-007	Revision: 5
			Date: 19/05/2022	Variant: P4K-GW (24M00)	5 of 6
			File: IO4K-R5_5_POW.SchDoc	www.algodue.com	ISO Code: 88P224067

