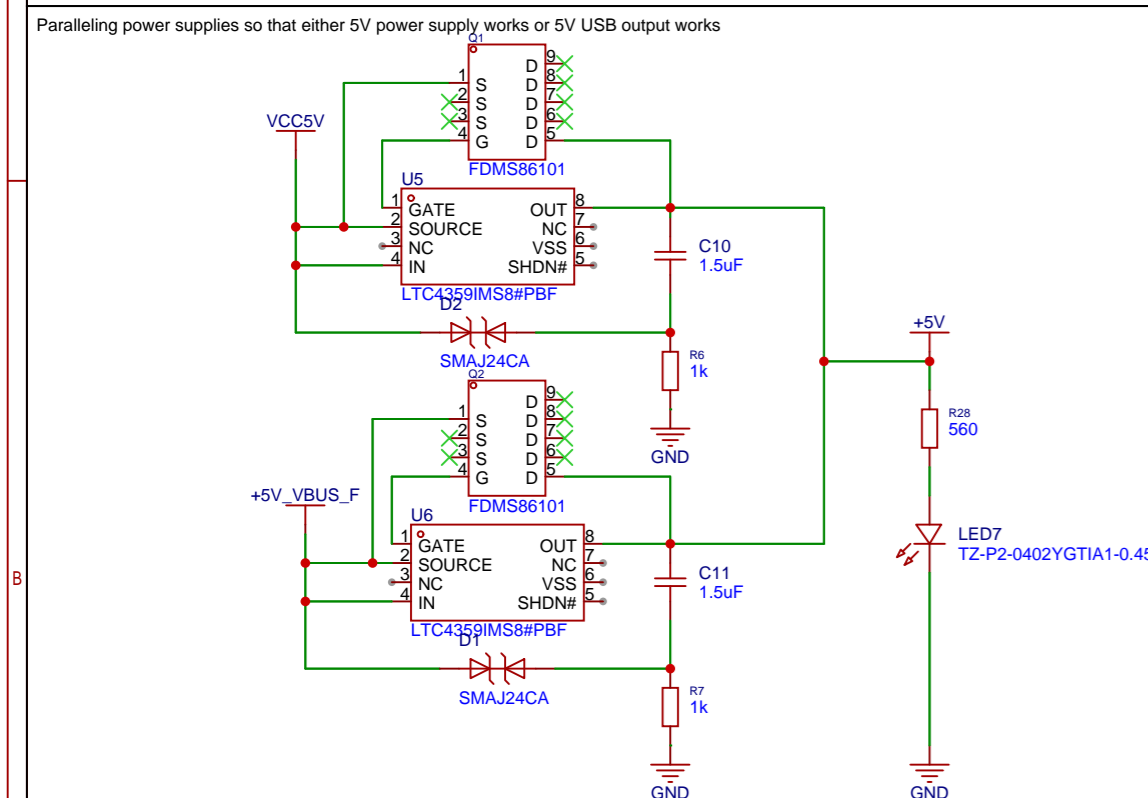
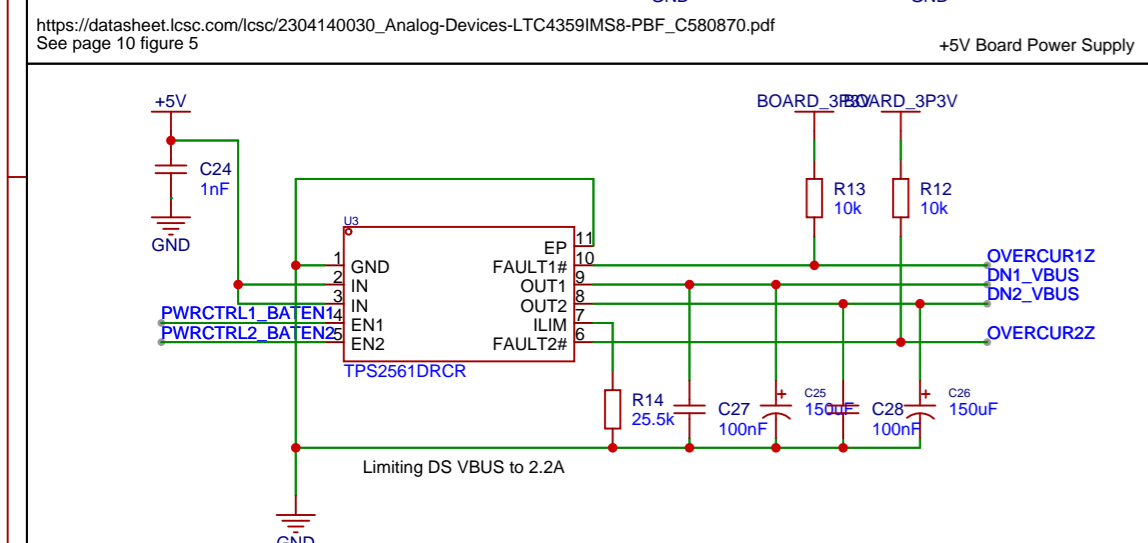


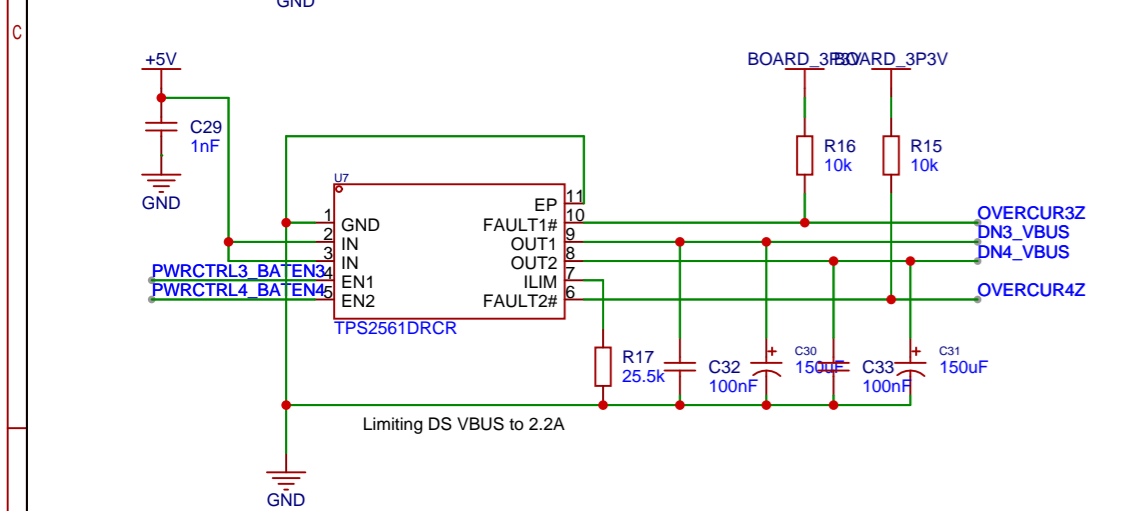
USB-C Connector



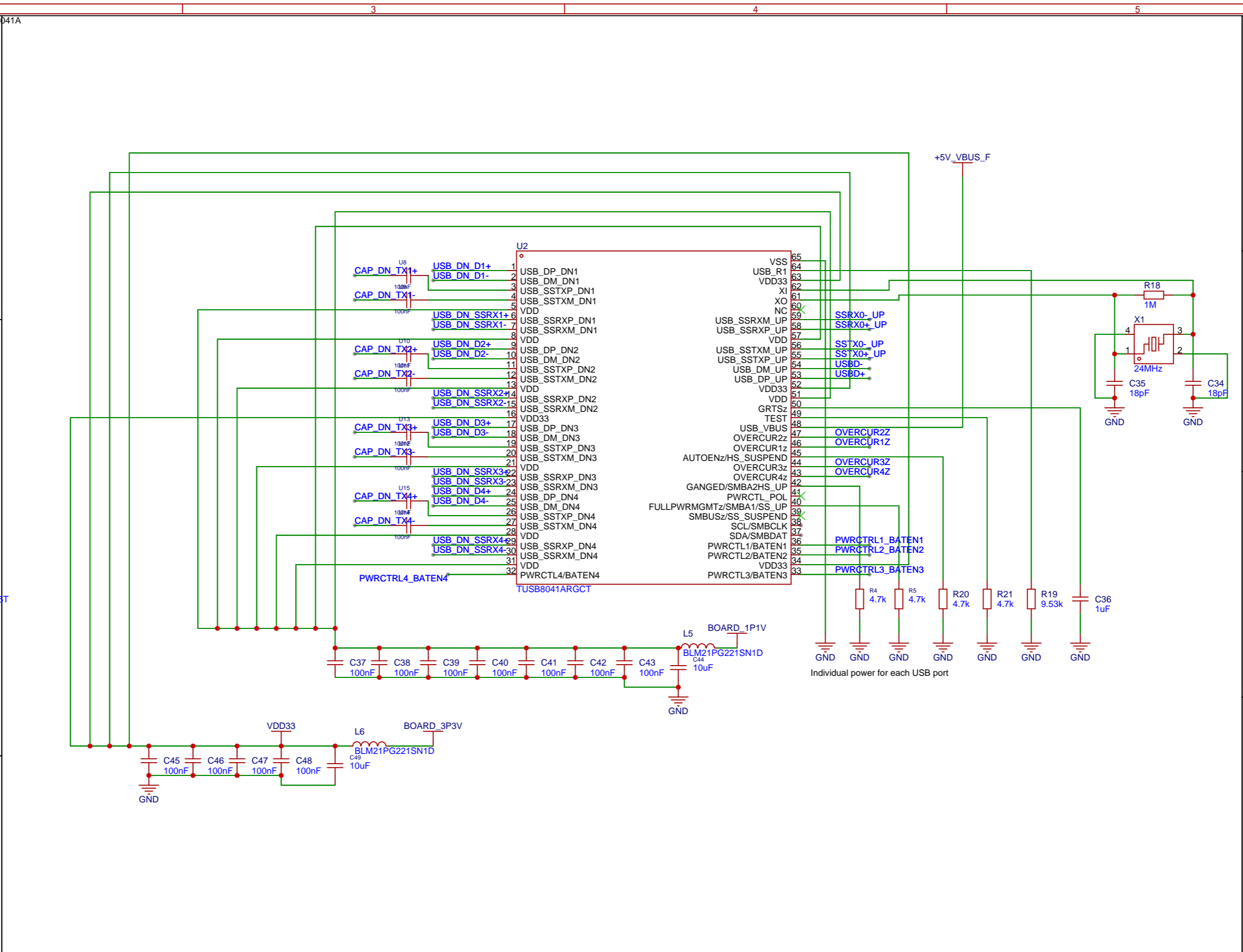
+5V Board Power Supply



VBUS Power Switch Implementation



+5VDC Barrel Jack



See TUSB542 Page 18 Datasheet

