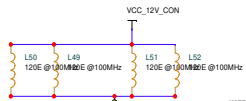
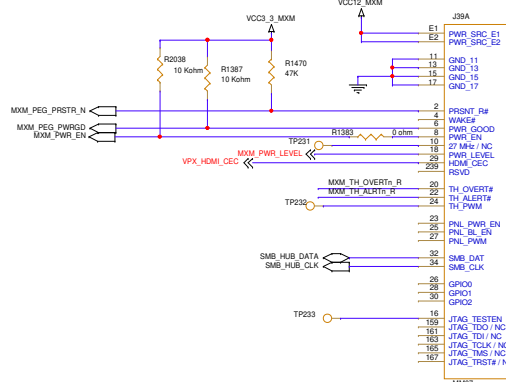


This document is the property of Dhruva Electronics Ltd. Bangalore, India. Reproduction, Utilization or Disclosure to third parties, in any form whatsoever is not allowed without written consent of the proprietors.

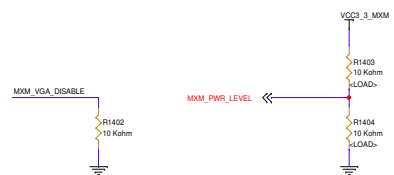
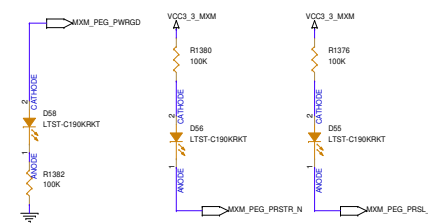
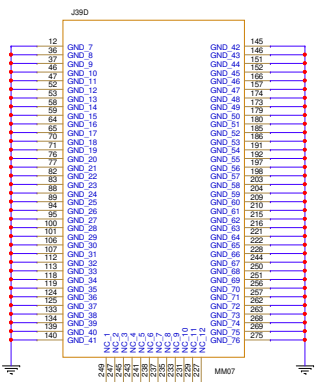
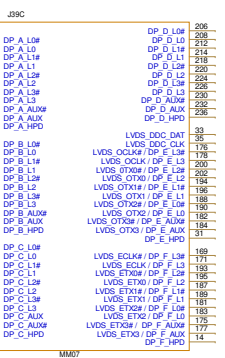
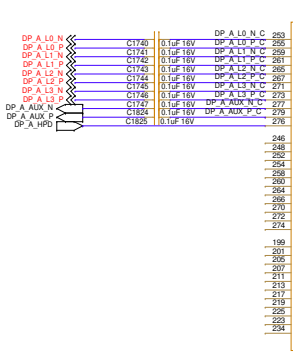
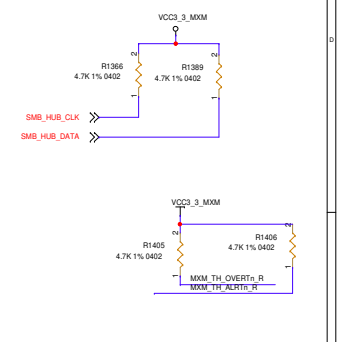
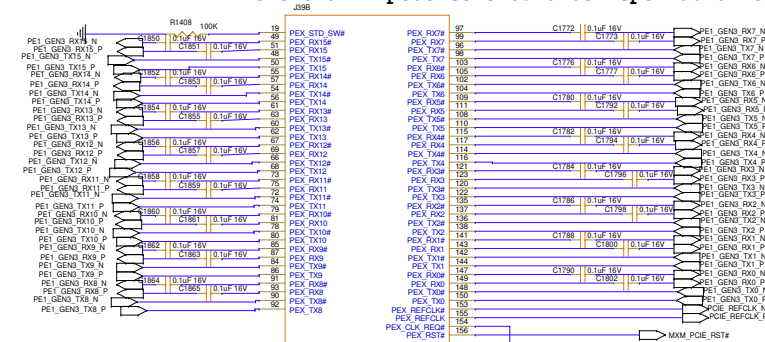
MXM CONNECTORS

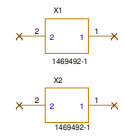
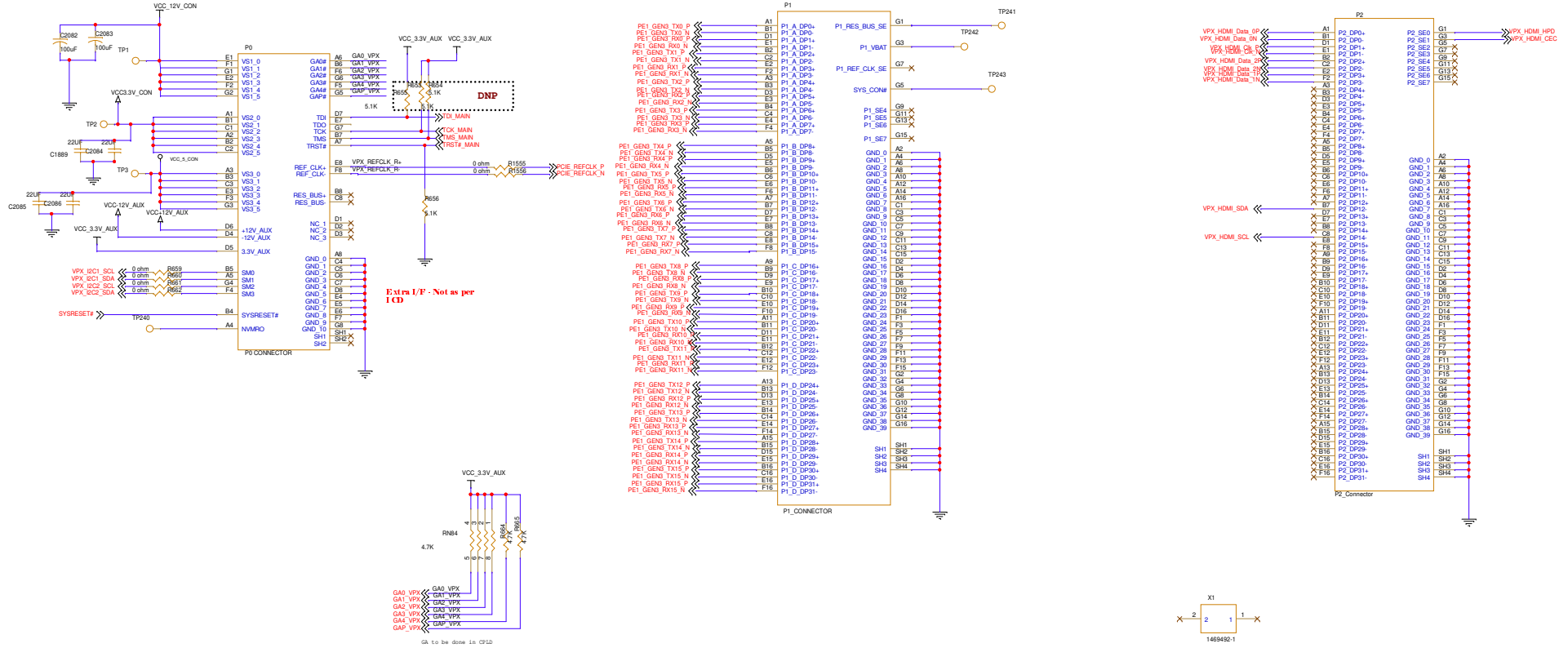


NOTE: VCC12_MXM should be provided with 10A rail



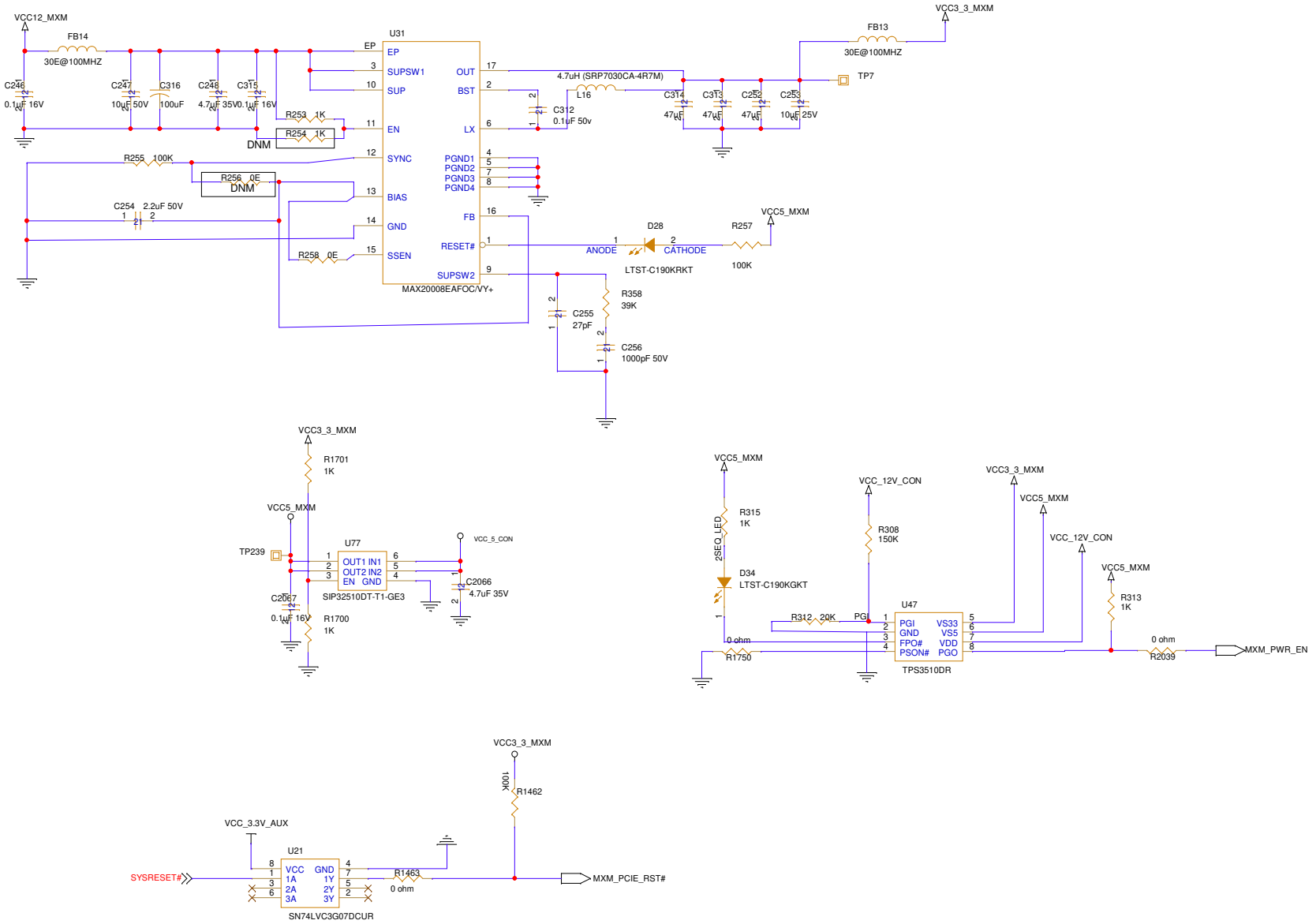
Differential Impedance should be kept 90 ohms



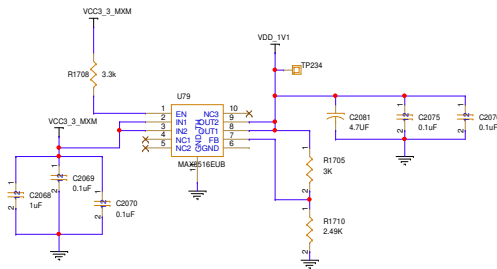
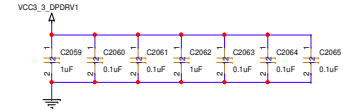
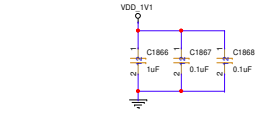
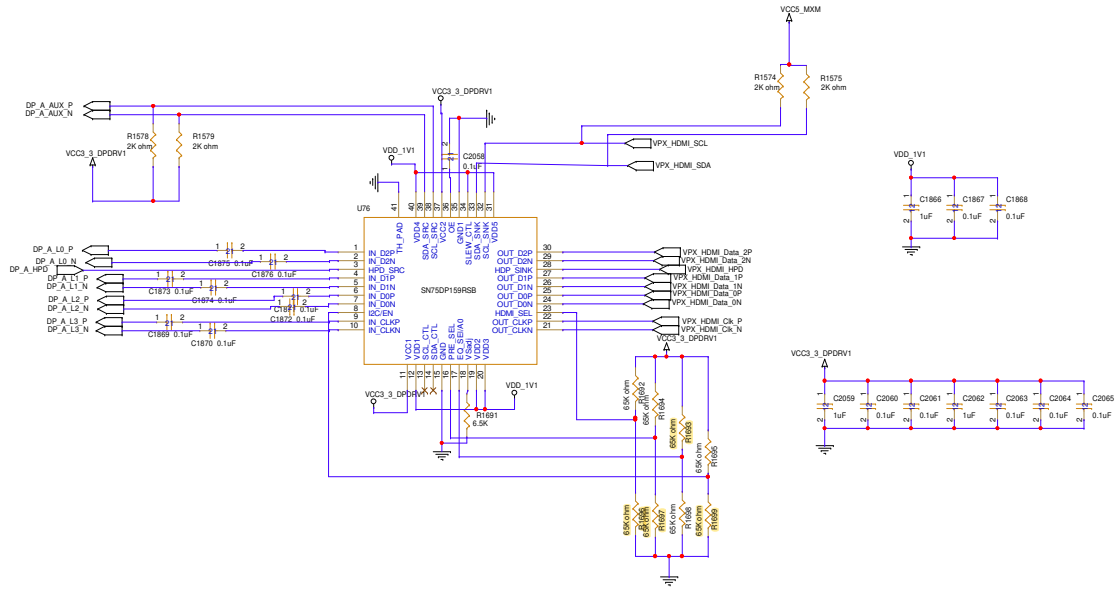
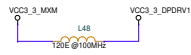


| | | |
|----------------------|--------------------------|--------------|
| Title | | |
| SU VPX GPGPU FOR MPU | | |
| Size | Document Number | Rev |
| A2 | <Doc> | |
| Date | Wednesday, June 21, 2006 | Sheet 2 of 6 |

+12V TO +3.3V CONVERSION



| | | |
|---------|-----------------------|--------------|
| Title | | |
| <Title> | | |
| Size | Document Number | Rev |
| A3 | <Doc> | |
| Date: | Monday, July 03, 2023 | Sheet 3 of 6 |



| | | | |
|------|-----------------------|-------|------------|
| File | <Title> | Rev | <Rev/Date> |
| Size | Document Number | | |
| AC | <Doc> | | |
| Date | Monday, July 03, 2023 | Sheet | 4 of 5 |