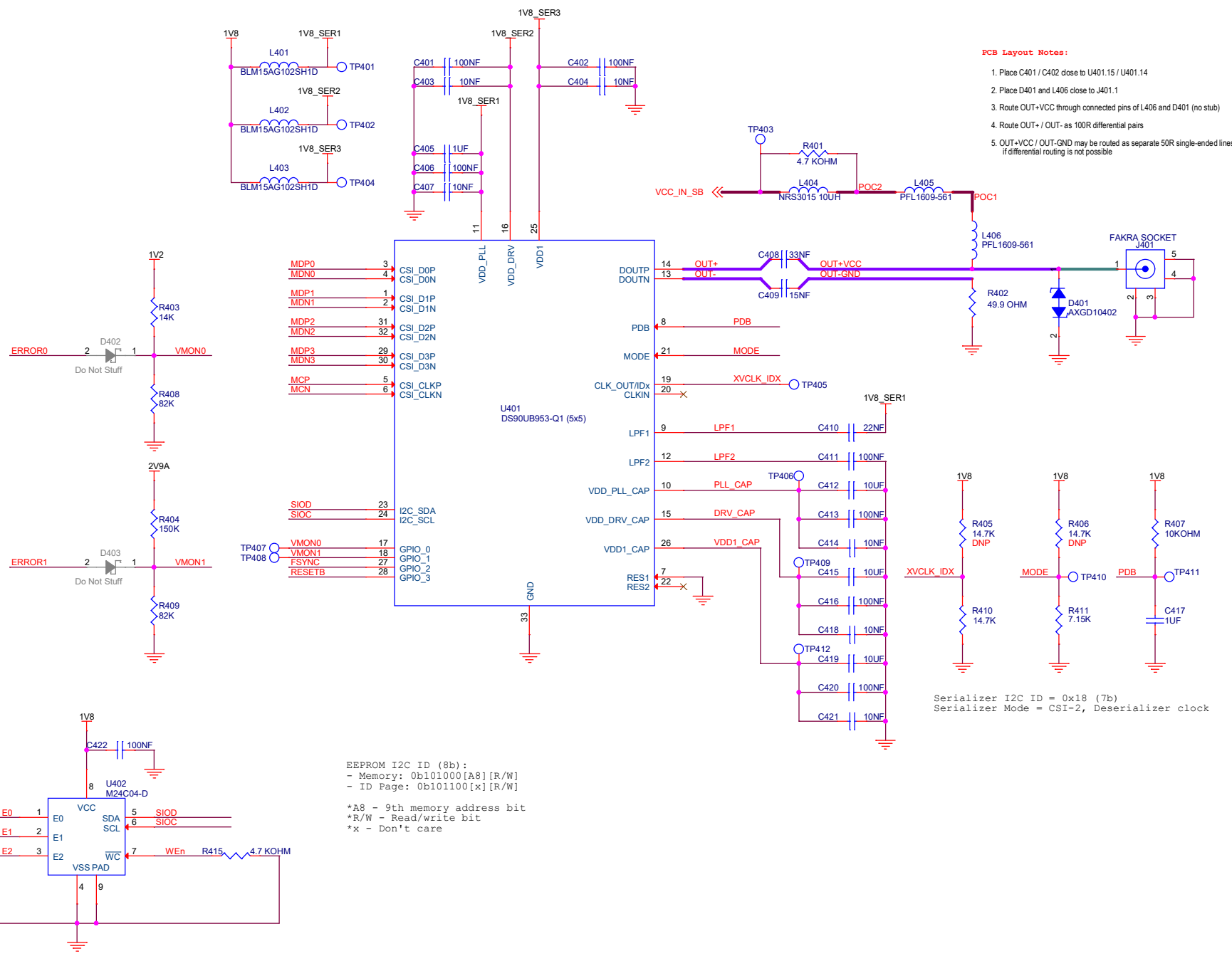


- MDP0 << MDP0
- MDN0 << MDN0
- MDP1 << MDP1
- MDN1 << MDN1
- MDP2 << MDP2
- MDN2 << MDN2
- MDP3 << MDP3
- MDN3 << MDN3
- MCP << MCP
- MCN << MCN
- SIOD << SIOD
- SIOC << SIOC
- FSYNC << FSYNC
- RESETB << RESETB
- XVCLK_IDX << XVCLK_IDX
- ERROR0 << ERROR0
- ERROR1 << ERROR1



- PCB Layout Notes:**
- Place C401 / C402 close to U401.15 / U401.14
 - Place D401 and L406 close to J401.1
 - Route OUT+VCC through connected pins of L406 and D401 (no stub)
 - Route OUT+ / OUT- as 100R differential pairs
 - OUT+VCC / OUT-GND may be routed as separate 50R single-ended lines if differential routing is not possible

EEPROM I2C ID (8b):
 - Memory: 0b101000[A8][R/W]
 - ID Page: 0b101100[x][R/W]

*A8 - 9th memory address bit
 *R/W - Read/write bit
 *x - Don't care

Serializer I2C ID = 0x18 (7b)
 Serializer Mode = CSI-2, Deserializer clock