

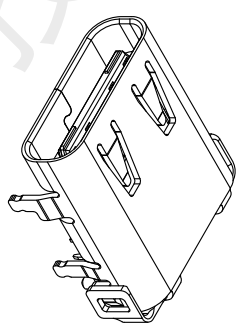
PIN	SIGNAL NAME	PIN	SIGNAL NAME
A1	GND	B12	GND
A2	TX1+	B11	RX1+
A3	TX1-	B10	RX1-
A4	VBUS	B9	VBUS
A5	CCI	B8	SBUS2
A6	D+	B7	D-
A7	D-	B6	D+
A8	SBUS1	B5	CC2
A9	VBUS	B4	VBUS
A10	RX2-	B3	TX2-
A11	RX2+	B2	TX2+
A12	GND	B1	GND

Specification:

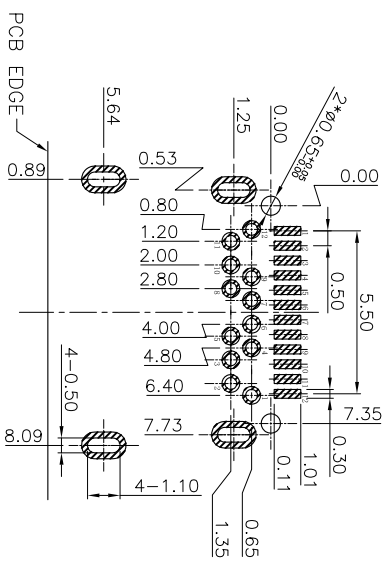
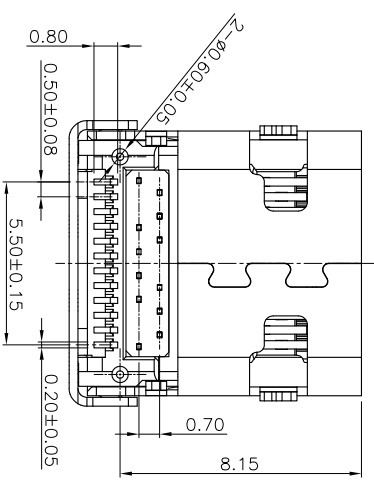
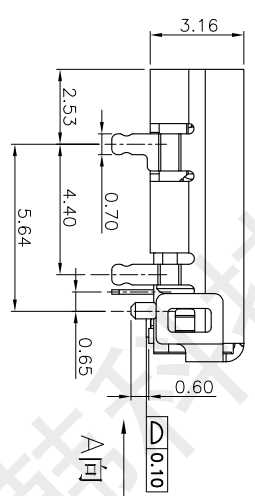
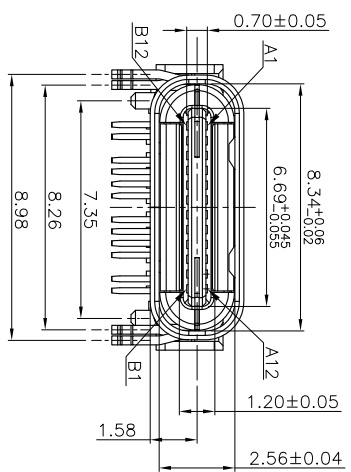
1. Electrical Characteristics:
 Contact Current Rating: 3 Amperes Max.
 Rated Voltage: 30V Max.
 Dielectric Withstanding Voltage: AC 100V r.m.s.
 Insulation Resistance: 100 MΩ Minimum.
 Contact Resistance: 40 mΩ Maximum.

2. Environmental:
 Operating Temperature: -40°C~+85°C.

3. Mechanical Characteristics:
 Insertion Force: 5~20Nf.
 Withdrawal Force: 6~20Nf.
 Durability Cycles: 10000 Cycles.



A向示意图



RECOMMEND PCB LAYOUT(TOLERANCE:±0.05)
 (THICKNESS:1.0mm OR 1.2mm)

NO.	NAME	DESCRIPTION
3	CONTACT	COPPER ALLOY
2	INSULATOR	HIGH TEMPERATURE PLASTIC UL 94 V-0
1	SHELL	Stainless Steel

10 1 1 5 - 2 4 F * * * 0 1 - * *

Q=鍍亞銀	F=半金錫 30u"	
G=全金 1u"	E=半金錫 15u"	
N=鍍 50u"	D=半金錫 10u"	
	C=半金錫 5u"	02=Black
	B=半金錫 3u"	R=黑色冷封帶
	A=半金錫 1u"	

DATE	DR.BY	ECN.NO.	DESCRIPTION	MARK	VER.
06/09-17	yang		NEW-DWG		A0

-TOLERANCES-
 UNLESS OTHERWISE SPECIFIED

公差參考表

首飾 SHOUJIAN 深圳市首飾科技有限公司

TITLE: TYPE-C

X.	±0.30	X.XXXX	±0.100	APPD:	罗孝金	PRODUCT NO:	24PIN前插后贴 (040)
X.X	±0.25	X.X°	±3.00°	CHECK:	张栋	DATE	2017.06.09
X.XX	±0.15	X.XX°	±1.00°	DRAW:	李春风	SCALE	1:1
						UNIT	mm
						TYPE	CD
						PAGE	1/1