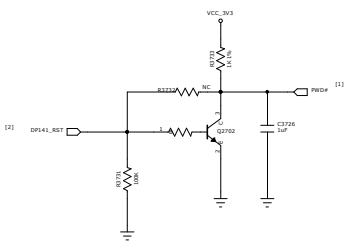
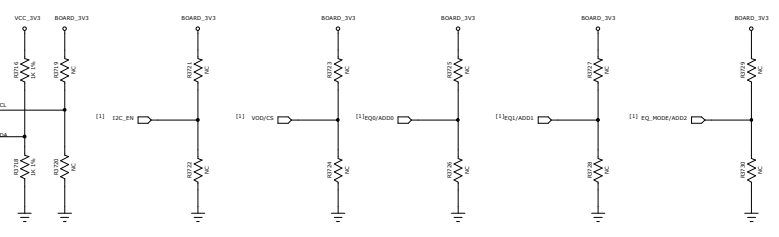
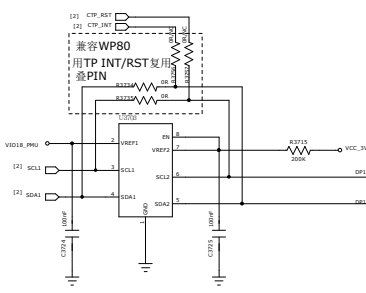
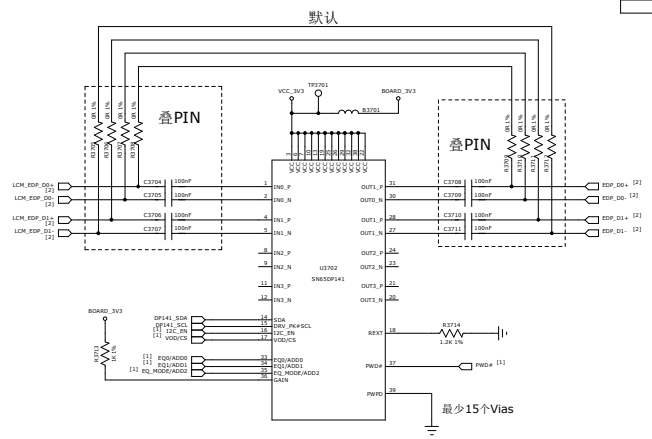
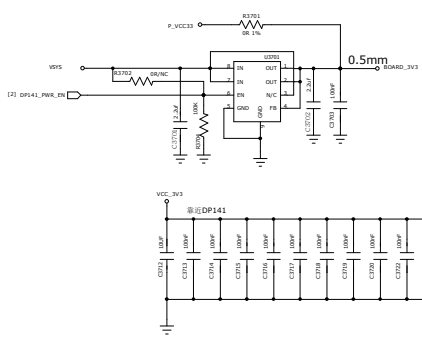


REVISION RECORD			
LTB	VCC NO.	APPROVED	DATE



COMPANY: Xcheng Communication Technology Co.,Ltd				MODEL: D0271		Modified Date:	
DRAWN	QCJ	DATED	20200701	TITLE: D0271_MAIN_LCD		VERSION: V1.0	SHEET: 1 OF 3
CHECKED	< >	DATED	< >				