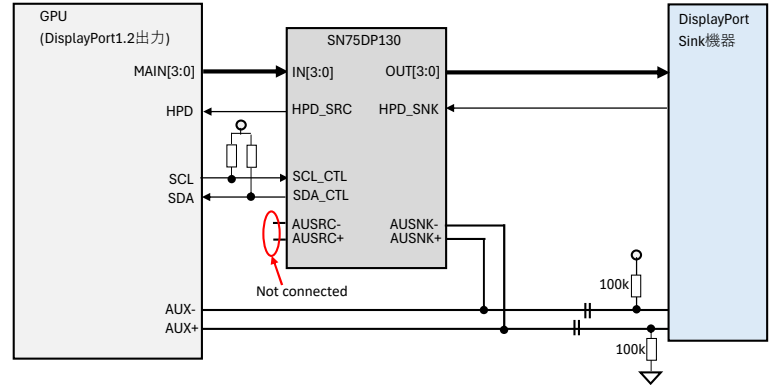


Figure 22. DP Only Configuration with AUX Pass Through



弊社過去製品の回路

SN75DP130の推奨回路