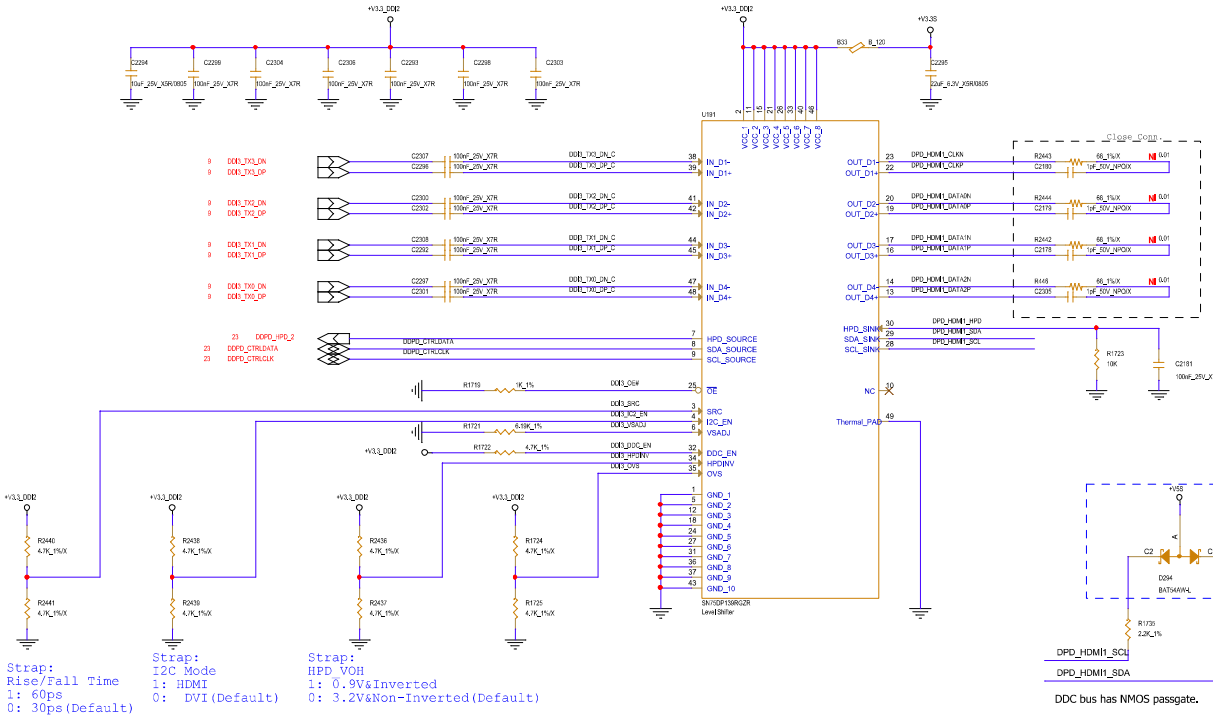


# DVI-D Level Shifter / DVID Connector

PIN3:  
NXP:EQ set  
GND:0dB  
HI:9dB  
Open:3.5dB  
TI\_Strap:  
Rise/Fall Time  
1: 60ps  
0: 30ps(Default)

PIN4  
NXP:NC  
TI:  
I2C Mode  
1: HDMI  
0: DVI(Default)



Two Options:  
1. NXP\_PTN3360D support 4K2K  
2. TI\_SN75DP139RGZR

Pin34  
NXP: NC  
TI:  
HPD\_VOH  
1: 0.9V&Inverted  
0: 3.2V&Non-Inverted(Default)

