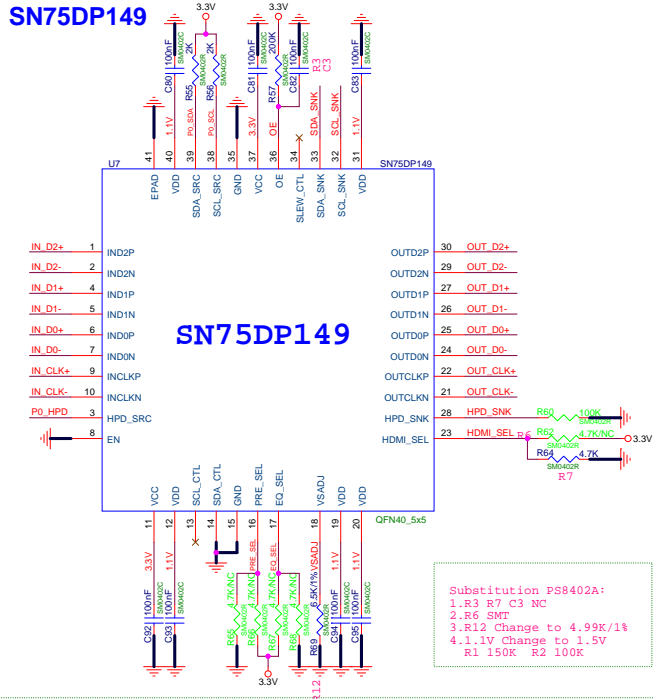
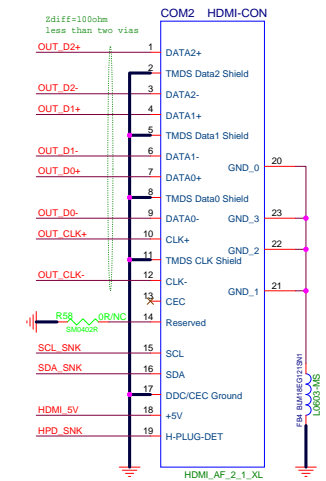


SN75DP149

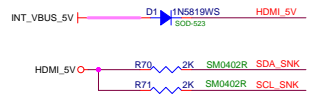


HDMI Conn.



HDMI OUT
HDMI Source Receptacle Connector

Others



External 3.3V to 1.1V SWR is required.

