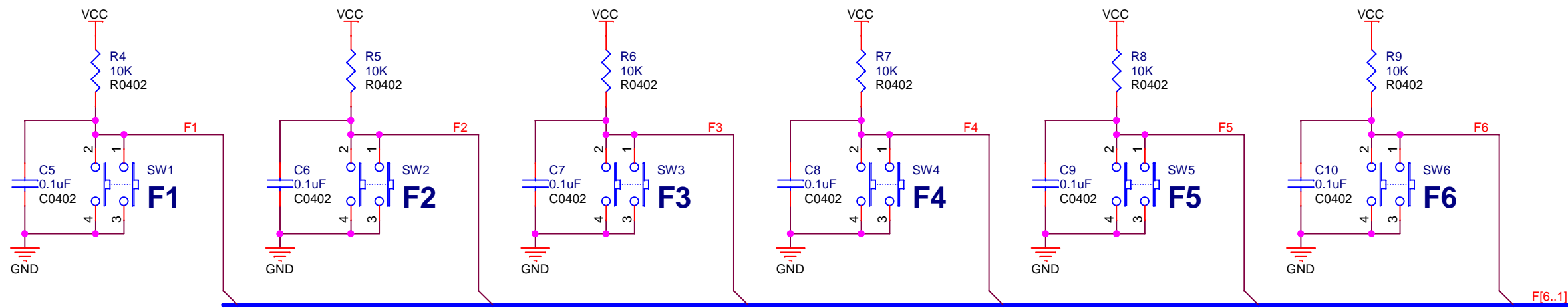
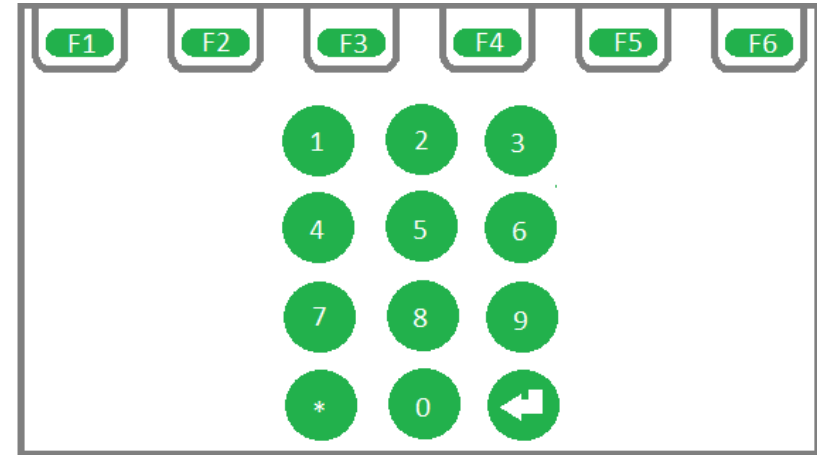
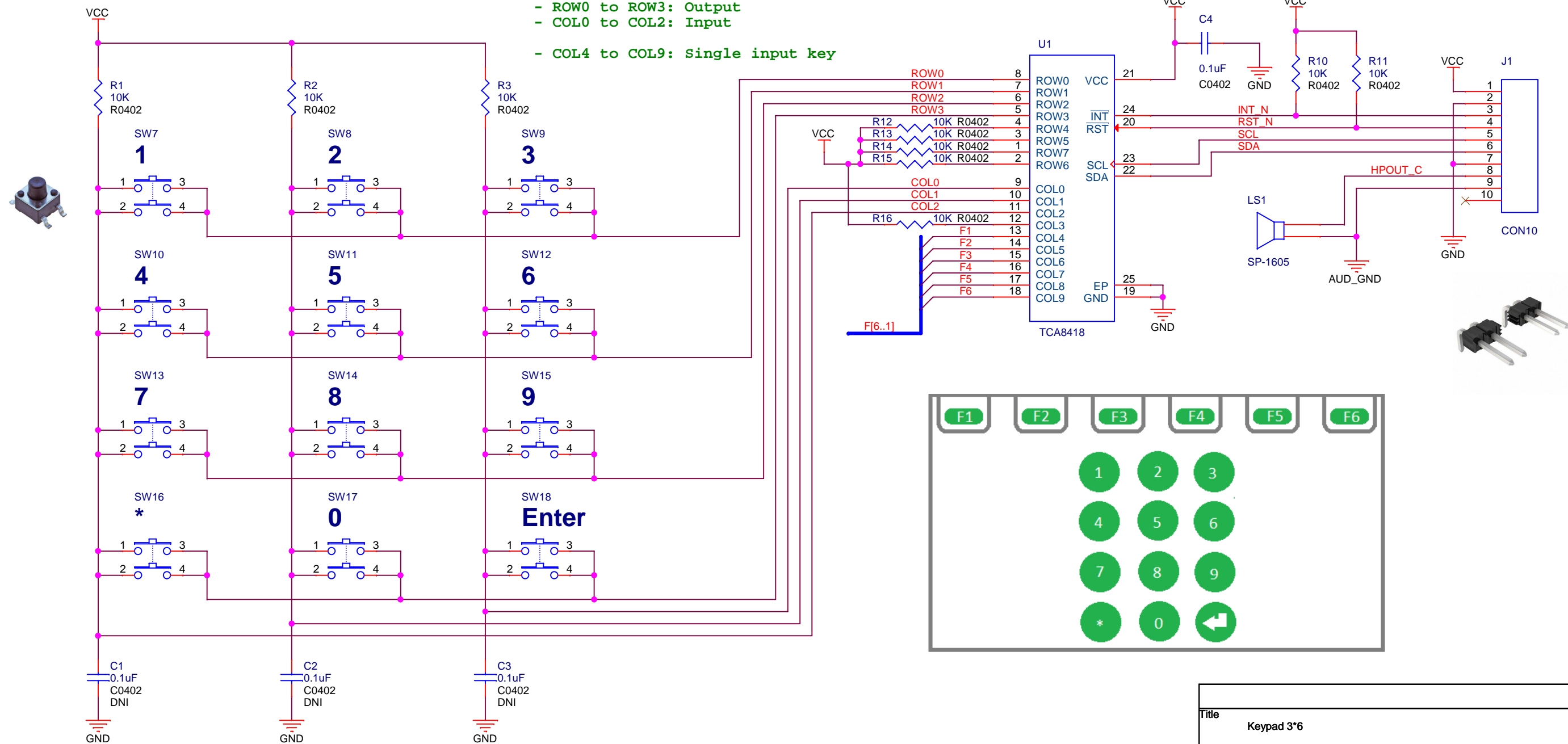


# KEYPAD



**Configuration:**  
 - ROW0 to ROW3: Output  
 - COL0 to COL2: Input  
 - COL4 to COL9: Single input key



Title Keypad 3*6		
Size B	Document Number <Doc>	Rev 1.0
Date: Friday, July 13, 2018	Sheet 1	of 1