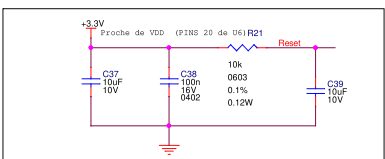
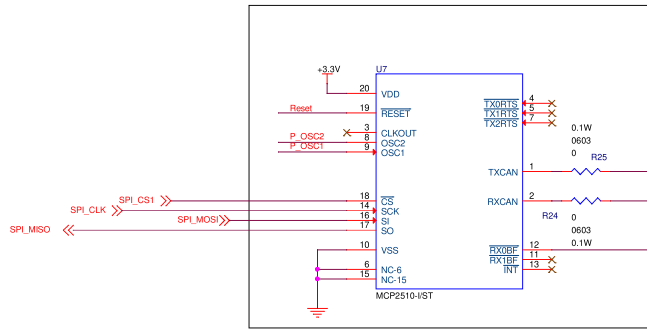


SPI TO CAN

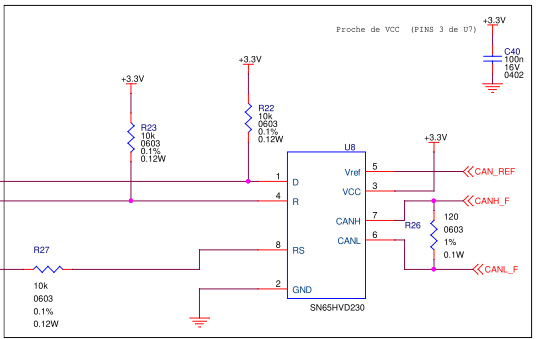
DECOUPLAGE



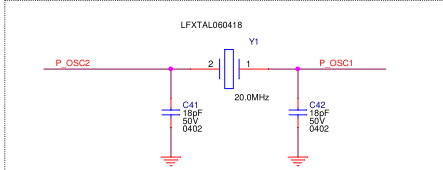
CAN CONTROLLER



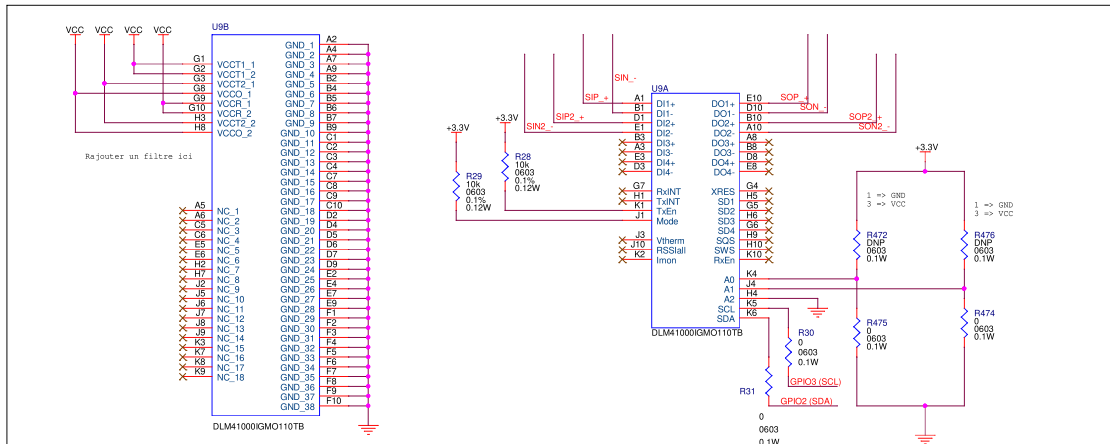
CAN DRIVER



CAN QUARTZ

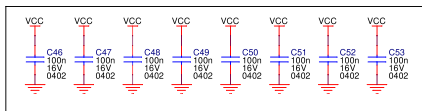
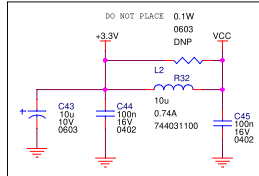


AFFAIRE			CARTE EQUIPEE		
DATA CARD			DATA Ispot		
SOCIETE	AUTRE	DATE	DESIGNATION		
SERMA	YDO	22/11/21	CAN BUS COMMUNICATION		
INGENIERIE	REVISED	DATE	PW	VERSION	PAGE
			213492D11110	1.XA	4 / 0

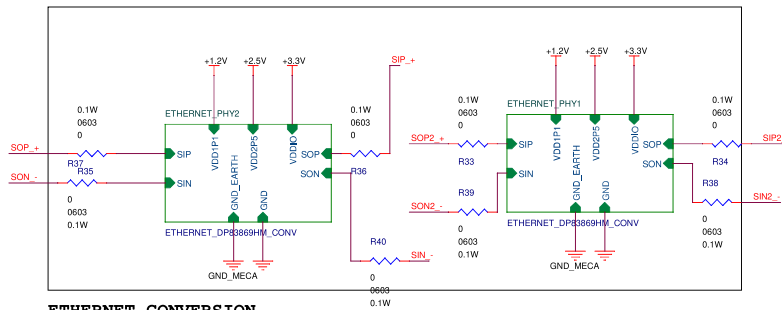


TRANSCEIVER MODULE RADIAL

FILTER



DECOUPLAGE Closed to G1 G2 G3 G8 G9 G10 H3 H8



ETHERNET CONVERSION

AFFAIRE			CARTE EQUIPEE		
DATA CARD			DATA Ispot		
BOCITE	AUTRE	DATE	DESIGNATION		
	YDO	22/11/21	TRANSCEIVER TO ETHERNET		
SERMA			PW	VERSION	PAGE
INGENIERIE			213492D11110	1.XA	5 / 0