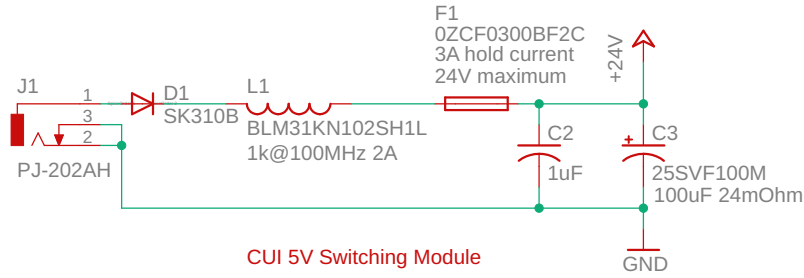
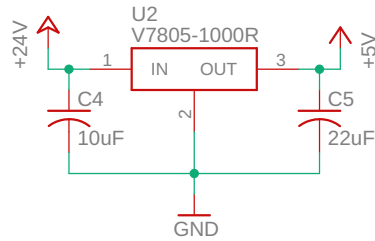


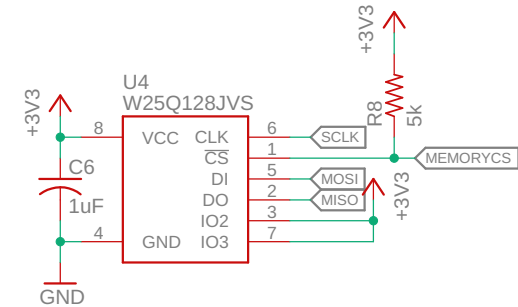
Power inlet rated to 24V@3A with EMI filtering.



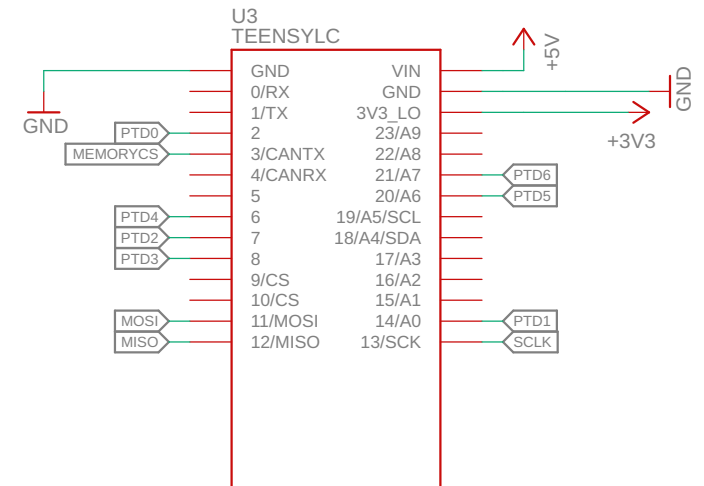
CUI 5V Switching Module



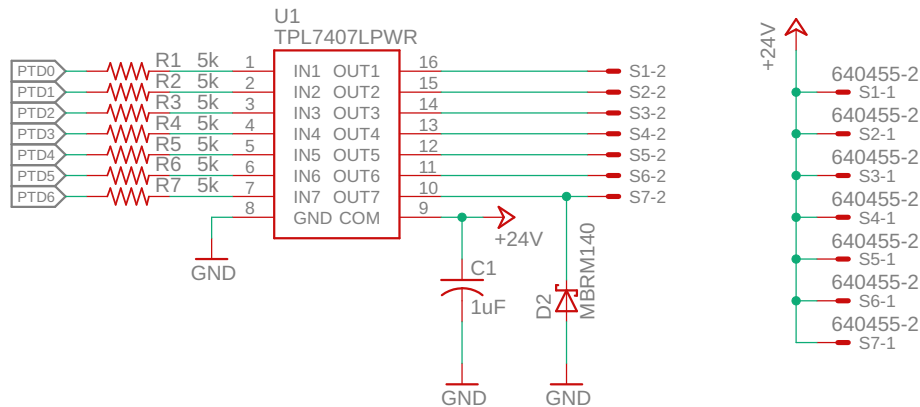
128 Mbit FLASH for script storage



Microcontroller Module (Teensy LC)



Seven 2-pin connector outputs for Solenoid Valves.



7-Channel Solenoid Control Board

Designer: Brian Neltner, Ph.D

Neltner Labs - inquiries@neltnerlabs.com

TITLE: Solenoid Control Board

Document Number: NLSCB01S

REV: X1

Date: 7/16/2018 4:40 PM

Sheet: 1/1