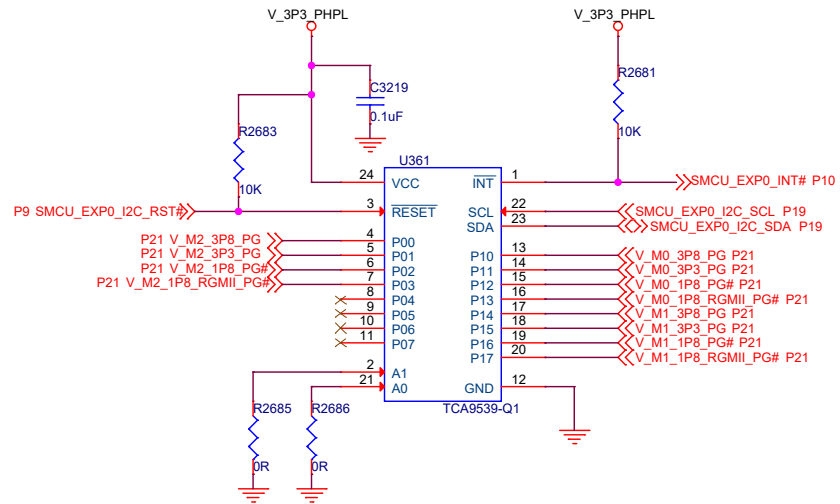
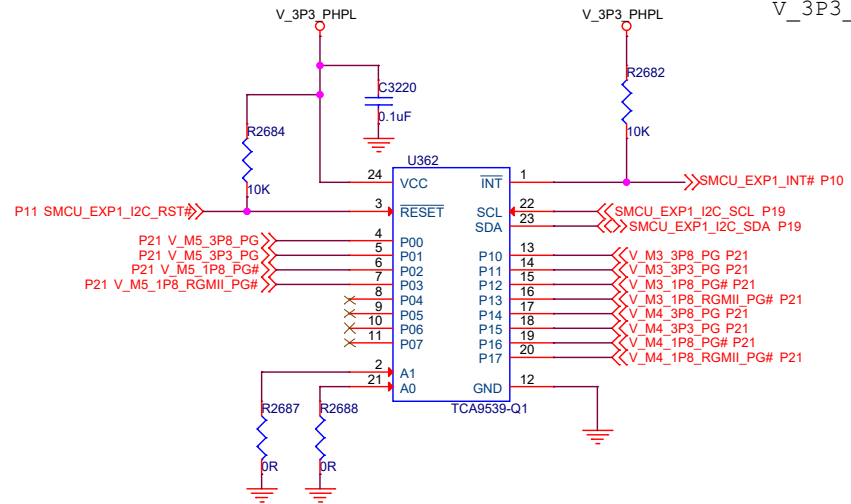


SAFETY MCU TO MODEM I2C EXPANDER



NOTE : I2C ADDRESS IS 11101 00 R/W#
 FOR READ R=1
 FOR WRITE W#=0



NOTE : I2C ADDRESS IS 11101 00 R/W#
 FOR READ R=1
 FOR WRITE W#=0

NOTE :
 PART NUMBER : TCA9539QPWRQ1
 V_3P3_PHPL : 3.3V

Title		
IO EXPANDER		
Size	Document Number	Rev
B	<Doc>	0.1
Date:	Monday, December 28, 2020	Sheet 12 of 19