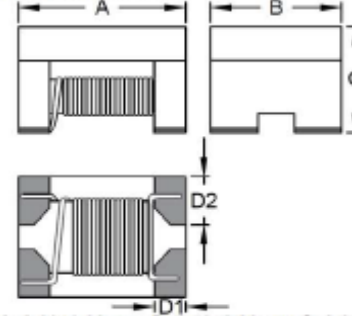
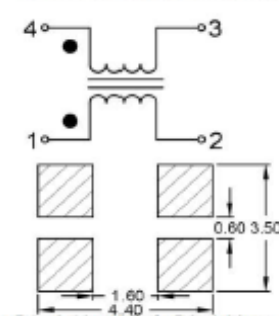


CM Filter Package Dimension

● Shape and Dimension



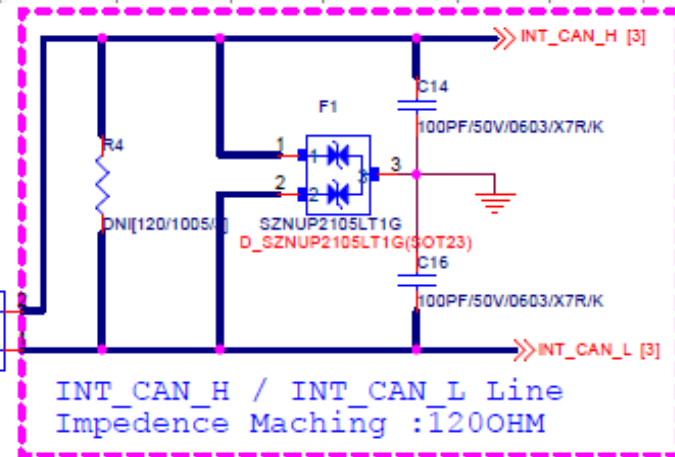
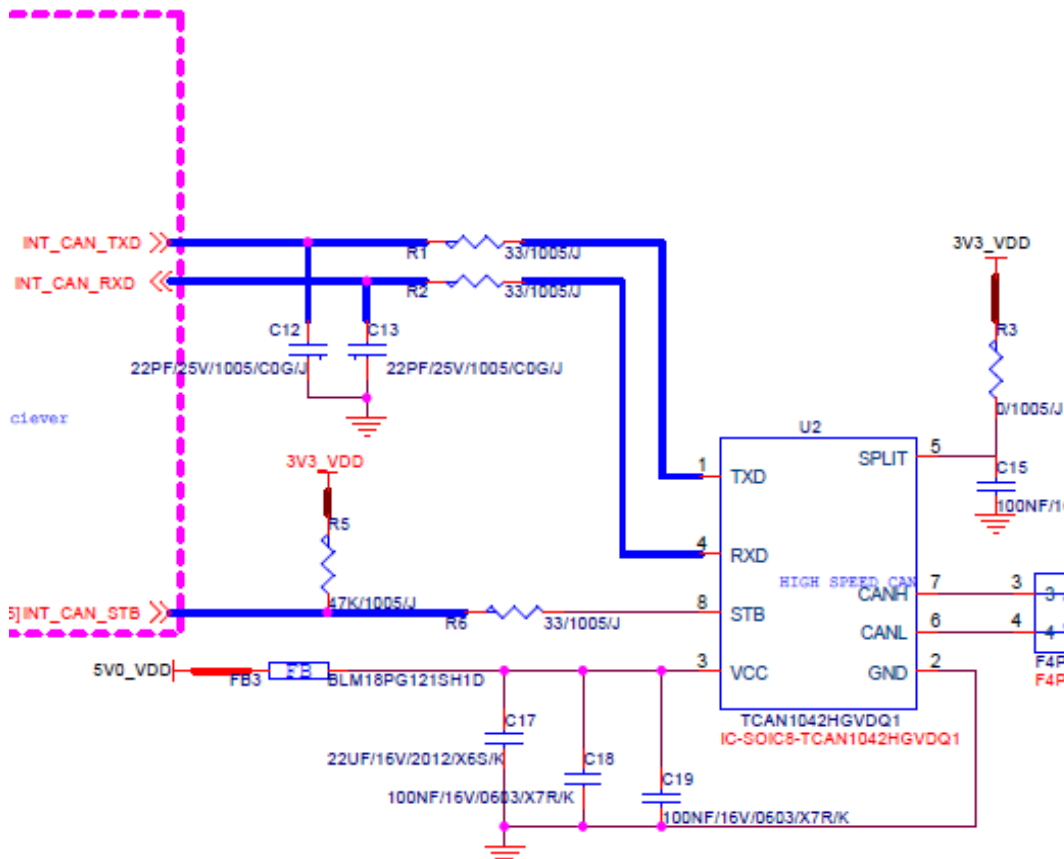
● Schematics and Land Patterns(mm)



A=3.20±0.20mm ; B=2.50±0.20mm ; C=2.20±0.20mm ; D1= 0.60mm Ref.; D2=1.00mm Ref.

● Specification

PART NO.	Common Mode Inductance (uH) at 100kHz	Common Mode Impedance (Ω) at 10MHz	Rated Current (mA) Max.	Rated Voltage Withstand Voltage (Vdc)	Insulation Resistance (MΩ) Min.	DC Resistance (Ω) Max.
F4P3225ELQ-110	11 +50% -30%	300 Min. 550 Typ.	300	80 125	10	0.4



INT_CAN_H / INT_CAN_L Line Impedance Matching :120OHM

