

TPF401 timing

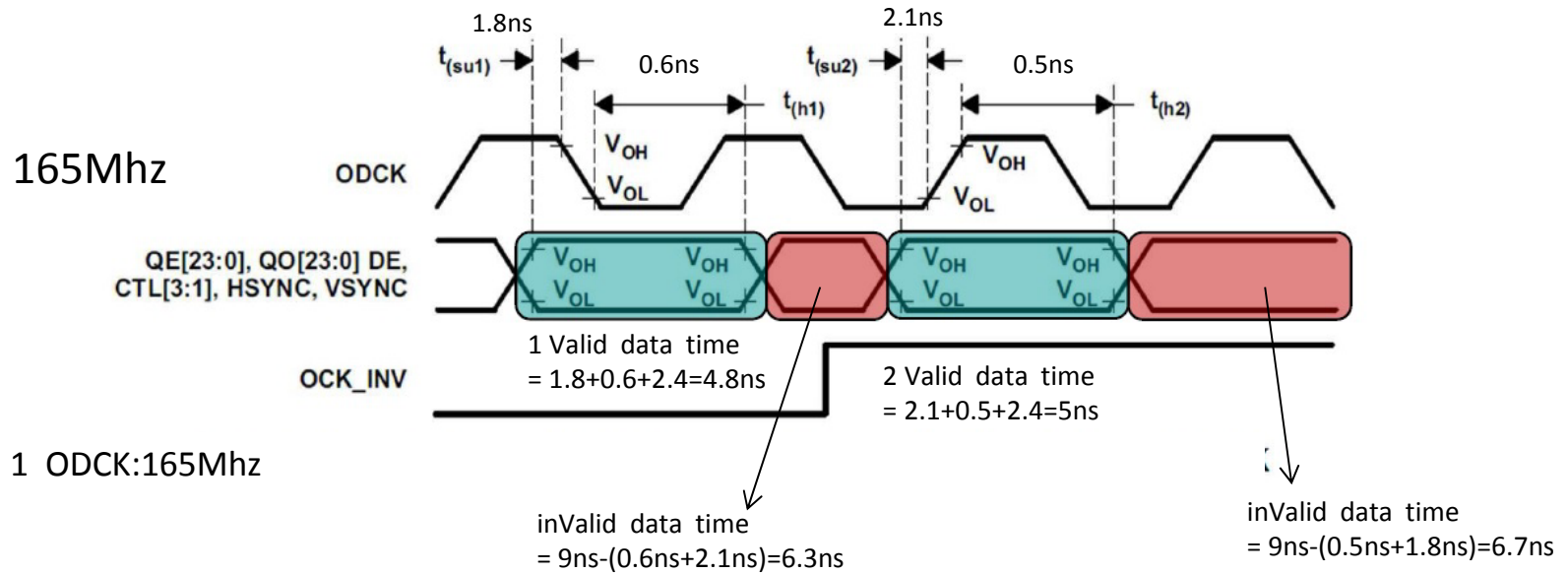
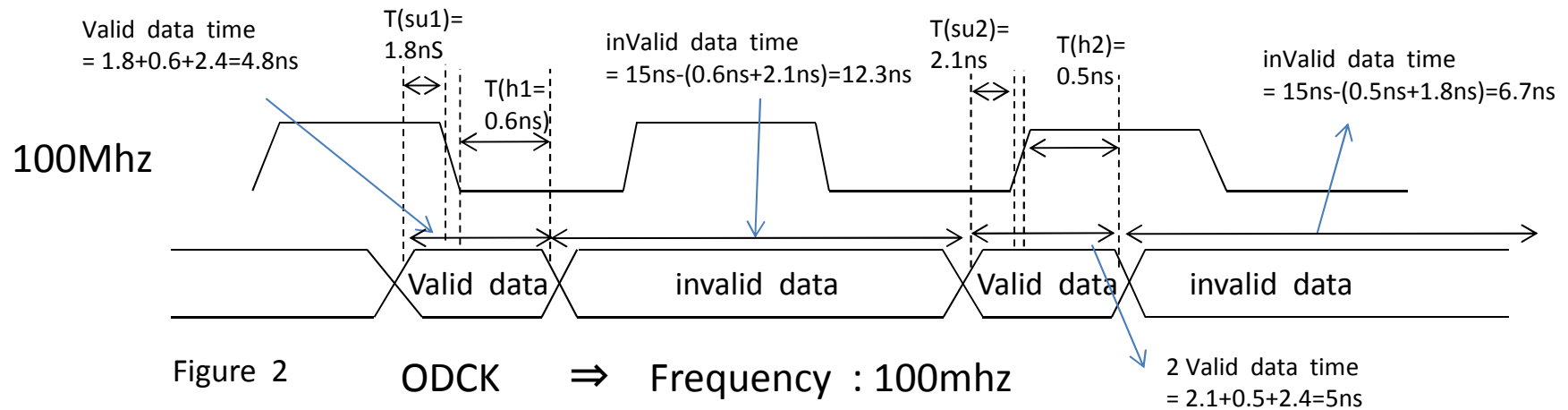


Figure 1 ODCK:165Mhz



Q: Figure1:165Mhz, Figure2:100mhz.

1 valid data time = 4.8ns : Figure 1 and figure 2 don't change.

1 invalid data time: Figure 1 = 6.3ns, figure 2 = 12.3ns

Is this way of thinking right?