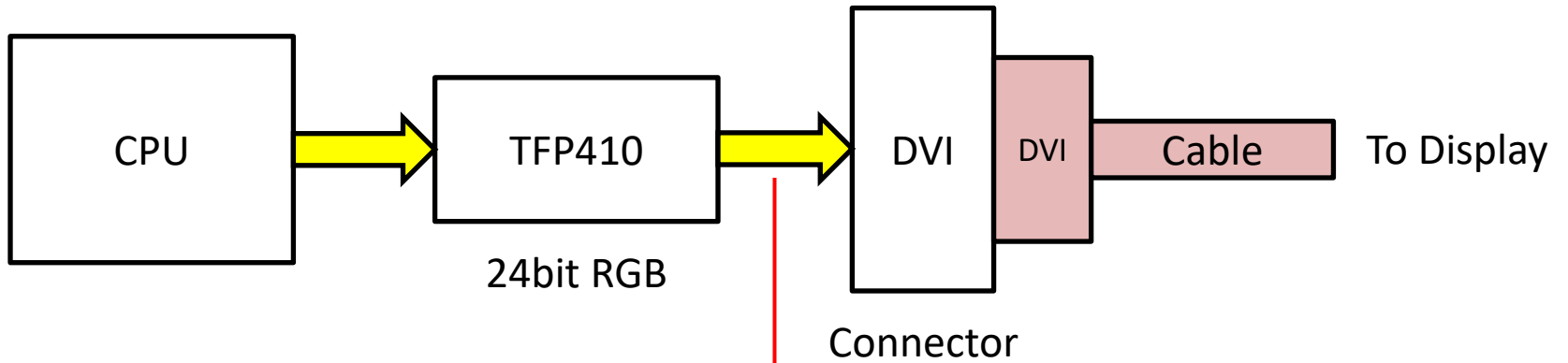
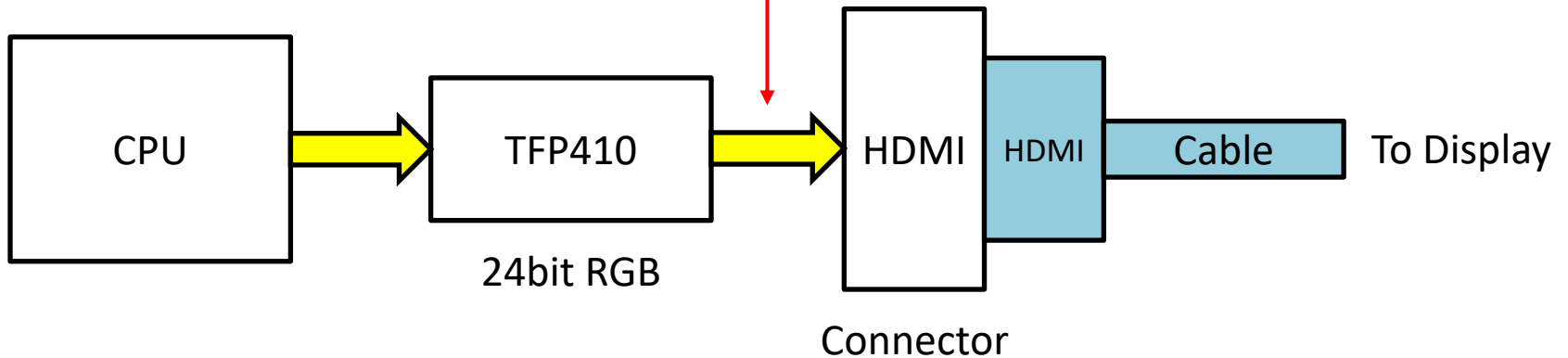


## Current System (DVI)



Only Pin-Connection change  
DVI to HDMI (See next page)

## Planning System (HDMI)



# HDMI – DVI signal connection

| HDMI Pin No | Signal                  | DVI-D Pin No |
|-------------|-------------------------|--------------|
| 1           | TMDS data2+             | 2            |
| 2           | TMDS data2 Shield       | 3            |
| 3           | TMDS data2-             | 1            |
| 4           | TMDS data1+             | 10           |
| 5           | TMDS data1 Shield       | 11           |
| 6           | TMDS data1-             | 9            |
| 7           | TMDS data0+             | 18           |
| 8           | TMDS data0 Shield       | 19           |
| 9           | TMDS data0-             | 17           |
| 10          | TMDS clock+             | 23           |
| 11          | TMDS clock Shield       | 22           |
| 12          | TMDS clock-             | 24           |
| 13          | CEC                     |              |
| 14          | HEC-                    |              |
| 15          | DDC clock(DDC/SCL)      | 6            |
| 16          | DDC data(DDC/SDA)       | 7            |
| 17          | DDC/CEC GND/HEC Shield  | 15           |
| 18          | +5V                     | 14           |
| 19          | Hot plug detection/HEC+ | 16           |