

Single ended connection

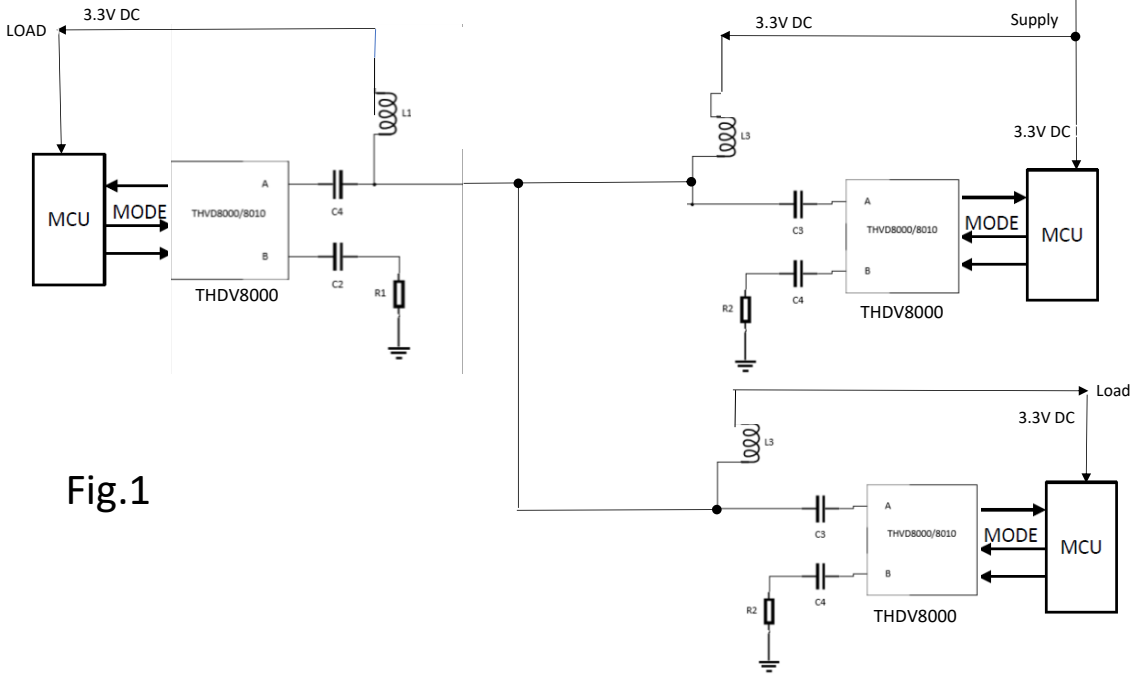


Fig.1

Differential connection

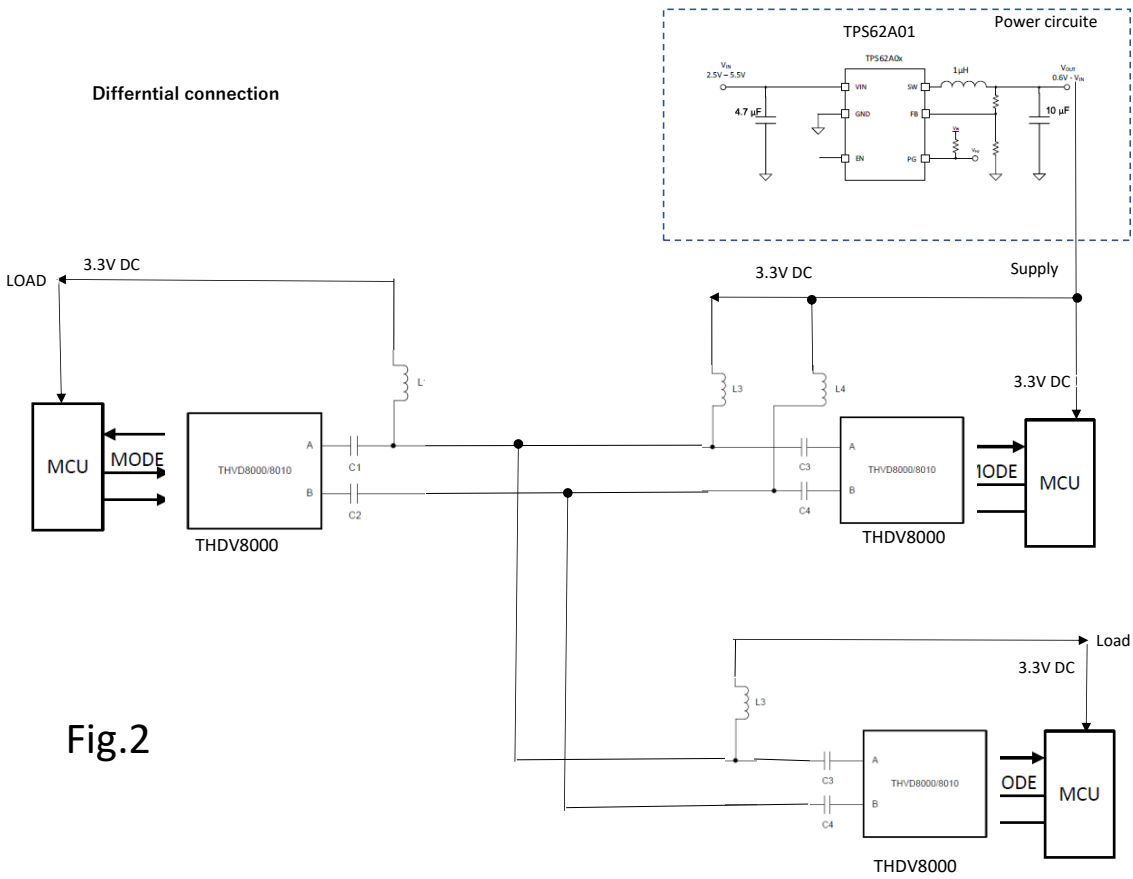


Fig.2