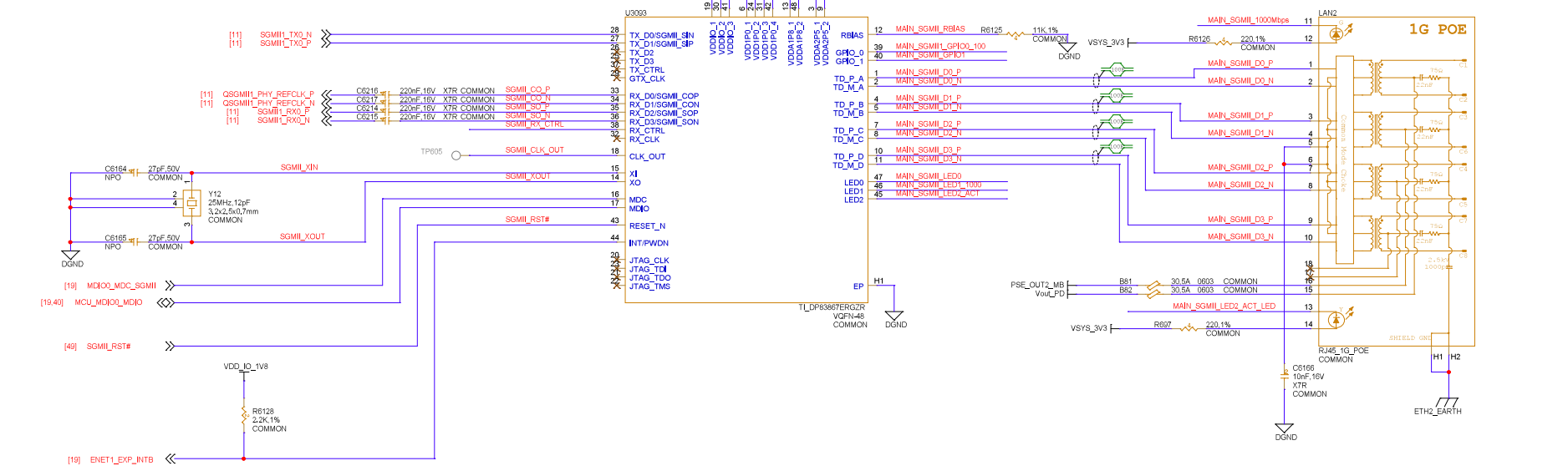




# SGMII GB ETHERNET



## RJ45



## SPEED AND ACTIVITY LED DRIVERS

